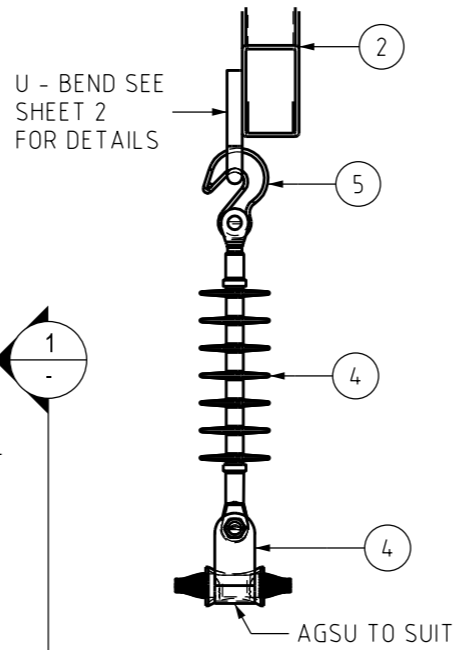
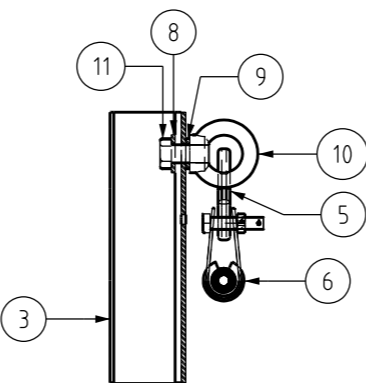


FRONT ELEVATION
1:25

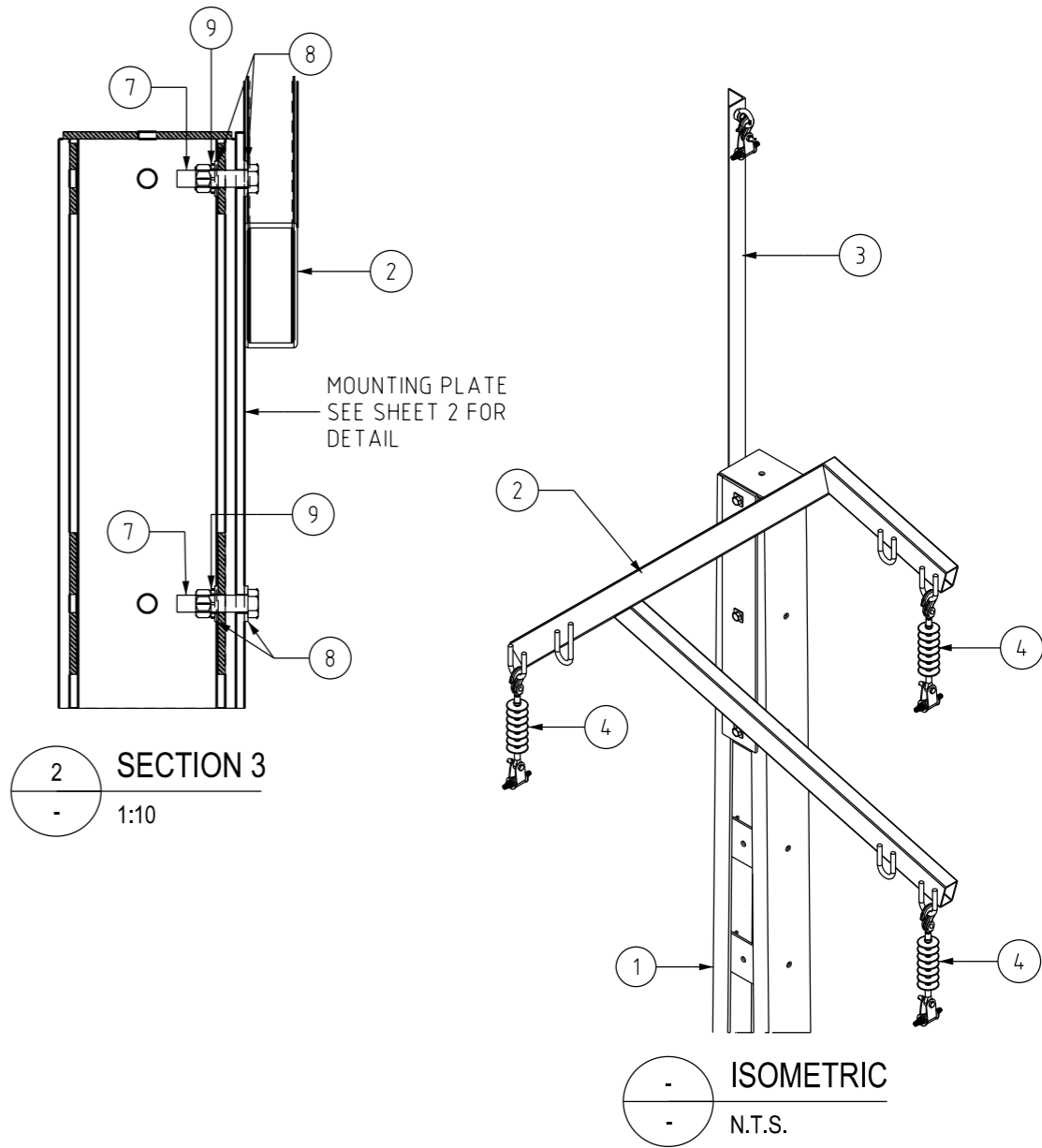


SECTION 1
1:10



SECTION 2
1:10

EARTH RISER ITEM NUMBER 400810 DWG No S01-01-02-15 OR ITEM NUMBER 298646 DWG No S01-01-02-13 DEPENDING ON DEVIATION ANGLE



SECTION 3
1:10

ISOMETRIC
N.T.S.

ITEM	QTY	DESCRIPTION	ITEM NUMBER	DRG. NUMBER
11	1	M24x50 GALV STEEL BOLT C/W NUT	114629	S01-01-04-43
10	1	M24 EYE NUT	298711	S01-01-04-41
9	6	M24 GALV STEEL SPRING WASHER	114330	S01-01-04-43
8	10	M24 GALV STEEL SQUARE WASHER	298828	S01-01-04-43
7	5	M24x100 GALV STEEL BOLT C/W NUT	400801	S01-01-04-43
6	4	AGSU TO SUIT	-	-
5	4	TONGUE HOOK, REF 70/TH	292680	S01-01-03-09
4	3	22kV POLYMER SUSPENSION INSULATOR	292656	S01-01-03-09
3	1	EARTH RISER FOR LINE POLE	298638	S01-01-02-13
2	1	WISHBONE CROSSARM	402038	S01-01-02-22
1	1	UNIVERSAL POLE	-	-

MATERIAL SCHEDULE

NO	DESCRIPTION	DRN	DATE	CKD	APPD
3	WISHBONE FABRICATION TRANSFERRED TO S01-01-02-22 DIMENSIONS AMENDED. SECTIONS 1, 2, 3 & ISOMETRIC VIEW ADDED.	C.C.	JUL'21	A.N.	B.V.
2	TITLEBLOCK & DRAWING NUMBERS FORMATTED	K.T.	JAN'19	C.C.	C.C.
1	STOCK CODES ADDED, DRAWING NUMBERS ADDED	J.C.	NOV'08	B.C.	B.C.
0	ISSUED FOR CONSTRUCTION	A.S.	JAN'04	M.B.	M.B.



DES	M. BOCK	POWER STANDARD DRAWING		
DRN	A. SCHMID	ASSEMBLIES		
CKD	M. BOCK	22kV WISHBONE ARRANGEMENT		
APPD	C. PEMBERTON	FOR UNIVERSAL POLE CONSTRUCTION		
SCALE	AS SHOWN	A3	DRAWING NUMBER	S01-02-01-46
ISSUED	JANUARY 2004			
ALL DIM. IN mm				
DRAFTING STANDARD TO A.S.1100		CAD PRODUCT - DO NOT AMEND MANUALLY		AMDT