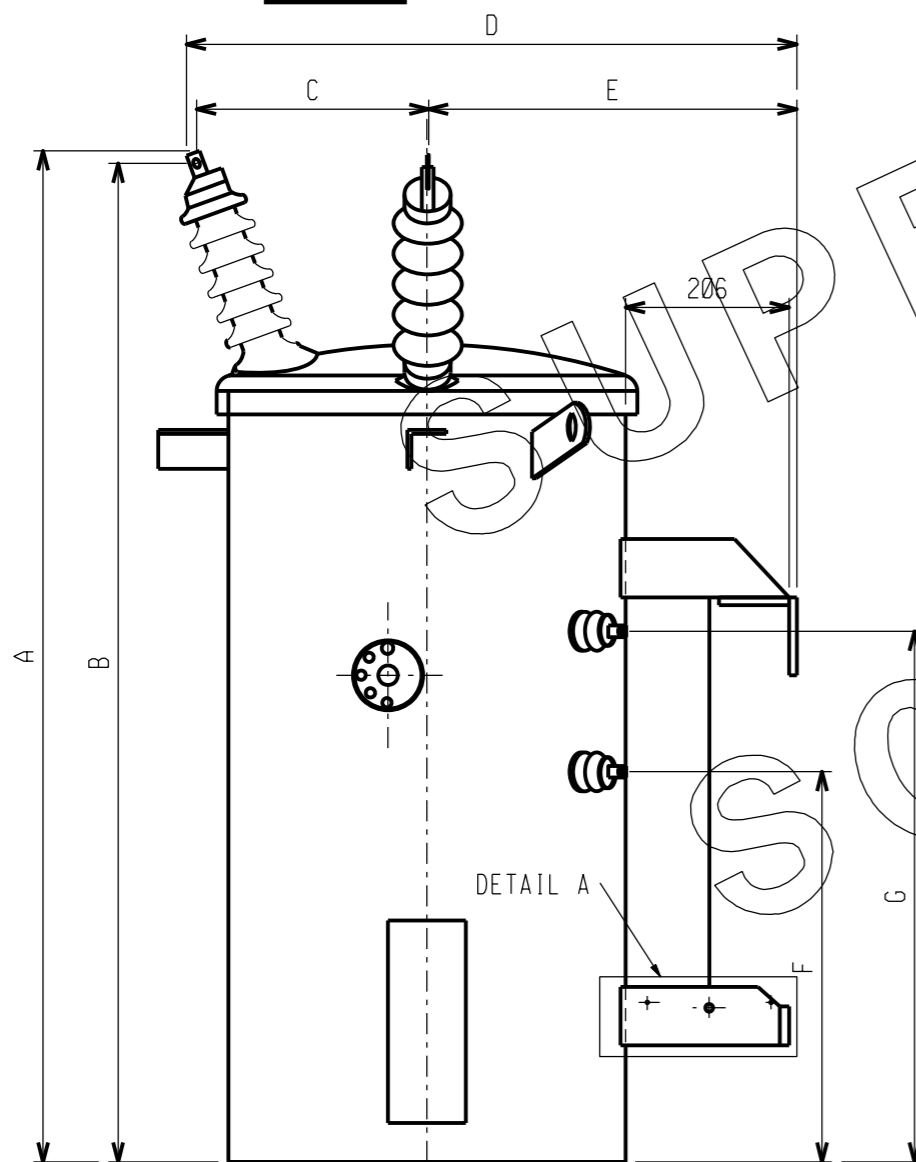


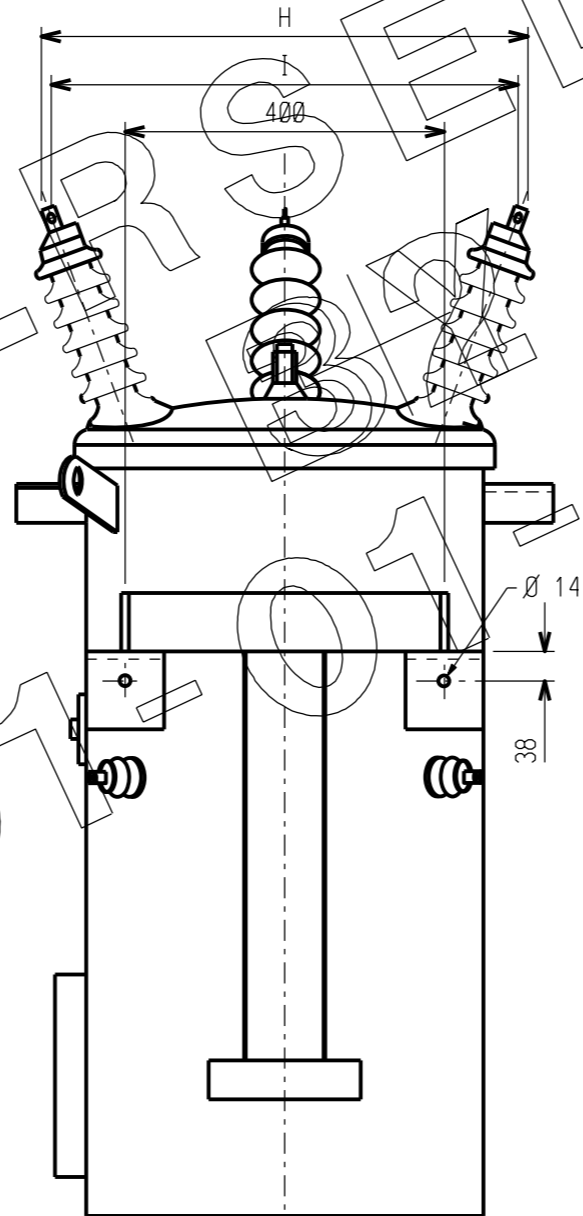
DETAIL A

NOTES :

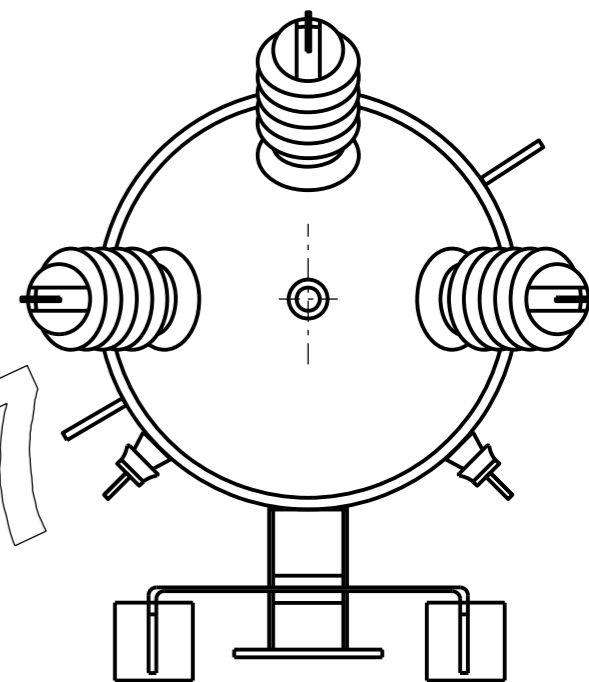
1. ALL DIMENSIONS ARE NOMINAL AND SUBJECT TO WORKING TOLERANCES
2. NOTE STOCK CODES SHOWN REFER TO BOTH ROUND AND SQUARE TRANSFORMER TYPES OF THE SAME RATING.
3. T-T-30° EQUIVALENT TO Dyn 1.



ELEVATION A



ELEVATION B



PLAN VIEW

TABLE 1

ITEM TYPE	STOCK CODE		DIMENSIONS								
	REFURBISHED	NEW	A	B	C	D	E	F	G	H	I
11kV, 50kVA	172981	172726	1349	1325	291	806	485	672	812	668	619
22kV, 25kVA	173104	172841	1303	1280	322	829	-	672	812	728	681
22kV, 50kVA	173112	172858	1403	1380	322	829	483	746	886	728	681

TABLE 2

ITEM TYPE	No PHASE	H.V. AMPERES	L.V. AMPERES	VECTOR RELATIONS
11kV, 50kVA	3	2.62	33.3	T-T-30°
22kV, 25kVA	3	0.66	66.67	T-T-30°
22kV, 50kVA	3	1.31	66.67	T-T-30°

POWER AND WATER AUTHORITY



NORTHERN TERRITORY

DES F: NUNN
 DRN J: LIVESLEY
 CKD S: MANSFIELD
 APPD P: DEWAR
 SCALE 1: 10
 ISSUED MAR '95
 ALL DIM. IN mm

N.T. STANDARD DRAWING

SUBSTATIONS
 11kV OR 22kV / 433V
 ROUND TRANSFORMER

A3 DRAWING NUMBER **·S1-2-6-9**

DRAFTING STANDARD TO AS 1100

CAD PRODUCT — DO NOT AMEND MANUALLY



AMDT

No.

AMENDMENT

DRN

CKD

APPD

DATE