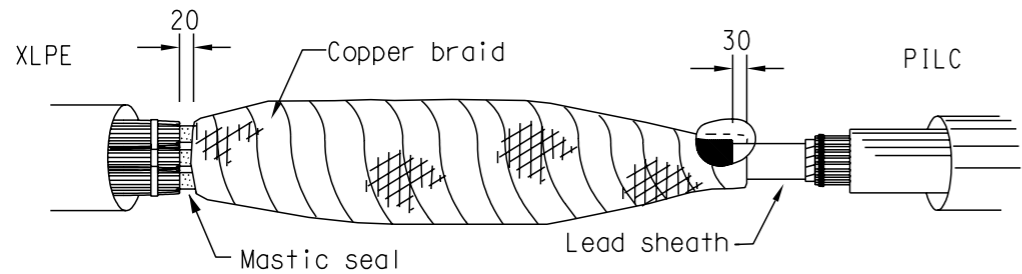
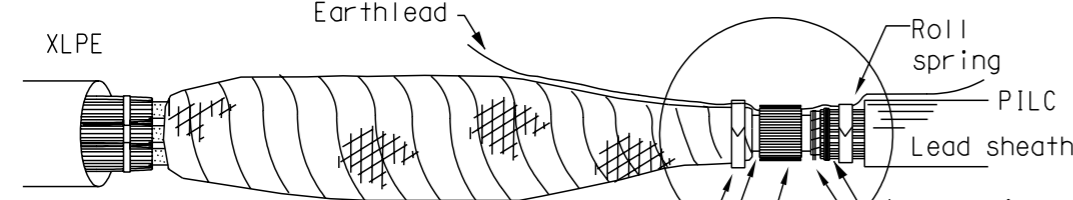


16. RE-LAY THE CORES AS CLOSE TOGETHER AS POSSIBLE. WRAP ONE HALF LAPPED LAYER OF COPPER BRAID AROUND ALL THREE CORES COVERING 30mm OF THE PILC LEAD SHEATH AND CONTINUING ACROSS THE JOINT TO THE XLPE CABLES LEAVING A 20mm GAP TO THE SCREEN WIRES. WRAP A LAYER OF SEALANT MASTIC IN THE GAP AT THE SCREEN WIRES.

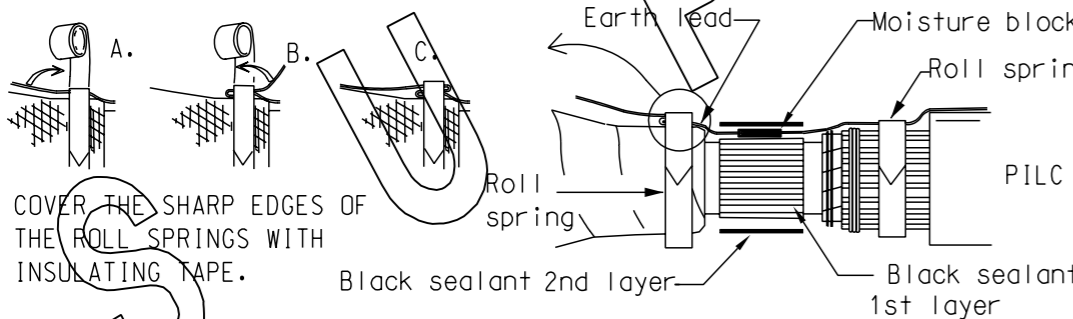


17. WRAP ONE LAYER OF BLACK SEALANT TAPE AROUND THE LEAD SHEATH CLOSE TO THE BRASS TAPES. DEGREASE AND CLEAN THE ARMOUR AND BRASS TAPES. POSITION THE EARTH LEAD OVER THE BRASS TAPES AND ARMOUR SO THAT THE MOISTURE BLOCK IS CENTRED OVER THE BLACK SEALANT TAPE. WRAP A ROLL SPRING OVER THE EARTH LEAD AND ARMOUR AND TWIST IT TIGHTLY. WIRE BIND AROUND THE EARTH LEAD AND BRASS TAPES.

NOTE: 3 EARTH LEADS MAY BE SUPPLIED TO MEET THE FAULT RATING.



PLACE THE REMAINING EARTHLEAD OVER THE COPPER BRAID AT A POSITION CLOSE TO THE END OF THE BRAID, WRAP A ROLL SPRING TWICE OVER THE EARTH LEAD IN THE DIRECTION OF THE COPPER BRAID WRAP. FOLD THE EARTH LEAD BACK OVER THE ROLL SPRING, APPLY 2 FURTHER TURNS OF THE ROLL SPRING. AGAIN FOLD THE EARTH LEAD BACK OVER THE ROLL SPRING AND THEN COMPLETE THE ROLL SPRING. TIGHTEN THE ROLL SPRING BY TWISTING.

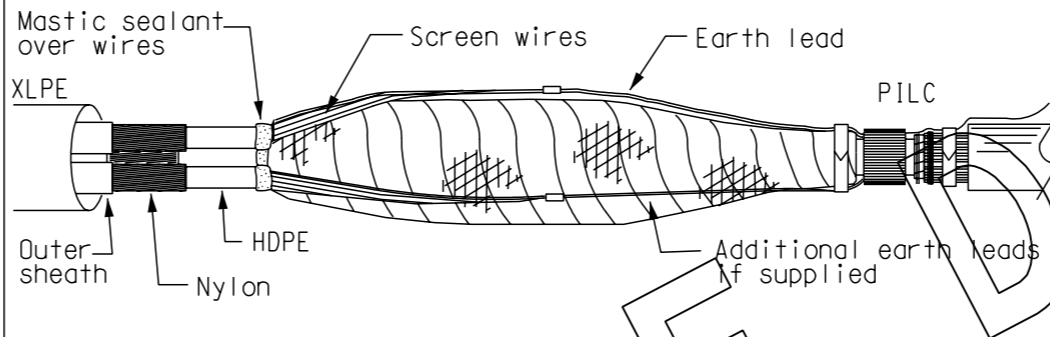


COVER THE SHARP EDGES OF THE ROLL SPRINGS WITH INSULATING TAPE.

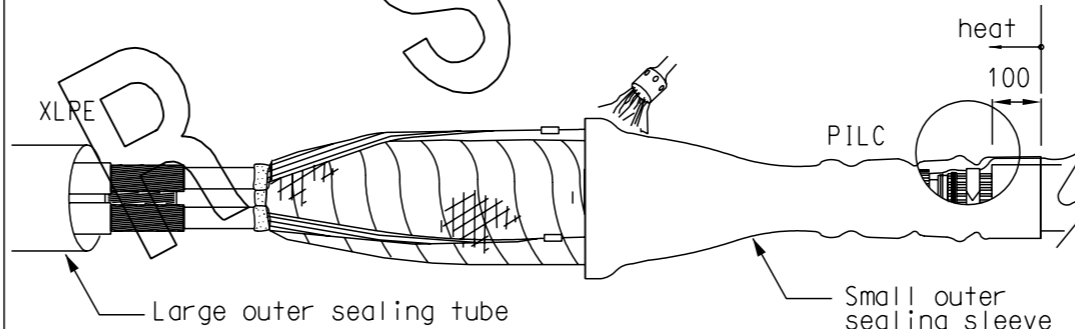
WRAP A SECOND LAYER OF BLACK SEALANT TAPE OVER THE FIRST COVERING THE EARTH LEAD.

18. LAY THE SCREEN WIRES OVER THE JOINT AND TWIST TOGETHER. CONNECT TO THE EARTH CONDUCTOR BY CRIMPING OR SOLDERING.

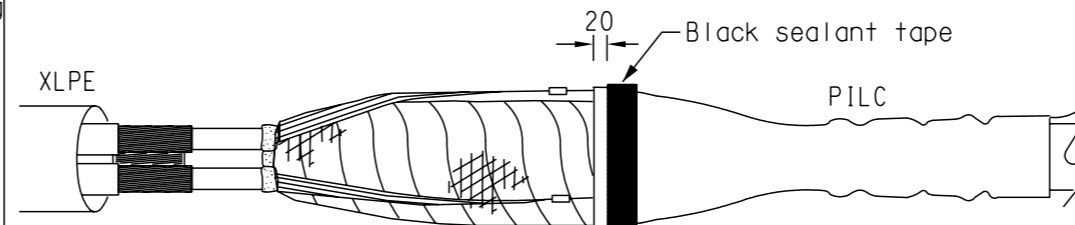
WRAP AND PRESS IN A LAYER OF SEALANT MASTIC AROUND THE SCREEN WIRES OF EACH XLPE CABLE AT THE HDPE SHEATH.



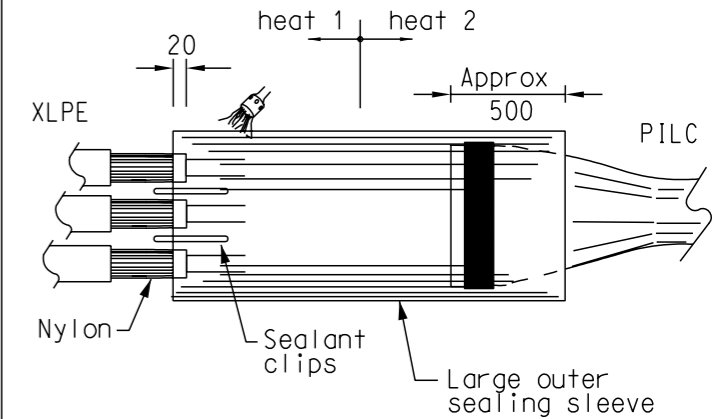
19. REMOVE THE RELEASE PAPER FROM INSIDE THE SMALL OUTER SEALING SLEEVE, POSITION IT TO OVERLAP THE PILC OUTER SHEATH BY ABOUT 100mm AND SHRINK IT DOWN STARTING AT THE SHEATH END AND WORKING TOWARDS THE CONNECTOR AREA.



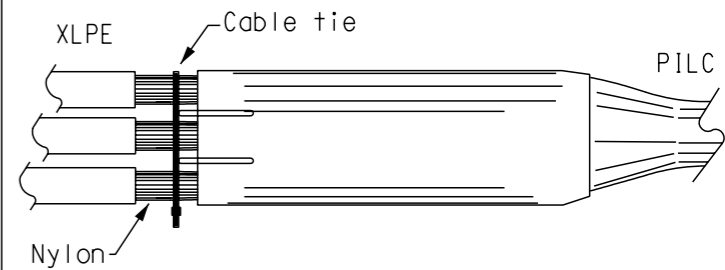
20. STARTING 20mm FROM THE INNER END OF THE OUTER SEALING SLEEVE WRAP ONE LAYER OF BLACK SEALANT TAPE AROUND THE SLEEVE.



21. REMOVE THE RELEASE PAPER FROM THE SECOND OUTER SEALING SLEEVE, POSITION IT TO OVERLAP THE FIRST SLEEVE BY ABOUT 500mm AND THE NYLON JACKET OF THE XLPE CABLE BY ABOUT 20mm. PUSH THE SEALANT CLIPS INTO THE SPACES BETWEEN THE XLPE CABLES. SHRINK IT DOWN AS SHOWN STARTING AT THE CENTRE OF THE SLEEVE AND WORKING TOWARDS THE XLPE CABLE ENDS UNTIL ADHESIVE IS SQUEEZED OUT BETWEEN THE CABLES (1). THEN SHRINK THE SLEEVE IN THE OTHER DIRECTION (2).



22. TIE THE THREE XLPE CABLES TOGETHER, NEAR THE OUTER SLEEVE, WITH THE CABLE TIE PROVIDED.



23. ALLOW THE JOINT TO COOL BEFORE APPLYING ANY MECHANICAL STRAIN.

24. APPLY TERMIMESH AS SHOWN IN DRAWING S02-02-02-33

OTHER NOTES:
 PAWA Cables: 22kv 240sq.mm 3C PILC Drg S02-01-01-01
 22kv 240sq.mm 1C XLPE Drg S02-01-01-07
 Raychem Kit: EPKJ-24 C/1XU-3SB-W

NO	DESCRIPTION	DRN	DATE	CKD	APPD
1	SUPERSEDED	A.T.	DEC'12	B.C.	B.C.
AMENDMENTS					



DES	JEH/ICV 11/96	POWER STANDARD DRAWING	
DRN	R. INNES	CABLE JOINTING & TERMINATIONS	
CKD	-	RAYCHEM JOINTING INSTRUCTIONS	
APPD	F. ROBSON	22kv 3C 240sq.mm SCREENED PILC	
SCALE	NO SCALE	TO 22kv 1C 240sq.mm Cu XLPE	
ISSUED	MAY'98	A3	DRAWING NUMBER S02-02-02-45 SHEET 3 of 3
ALL DIM.	IN mm		
DRAFTING STANDARD TO A.S.1100		CAD PRODUCT - DO NOT AMEND MANUALLY	

