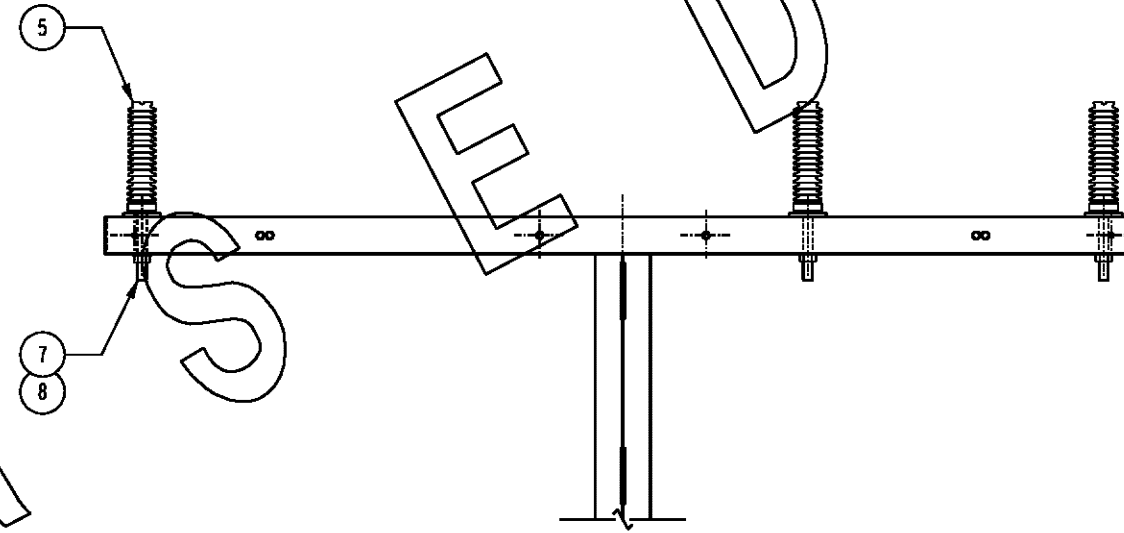
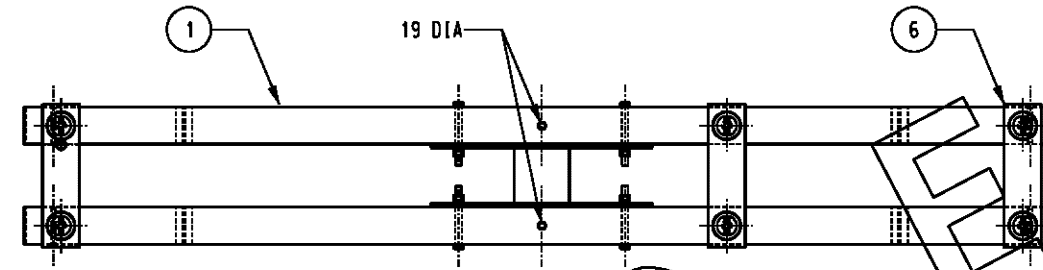


POLE 'P'  
0 - 7° DEVIATION



POLE 'Q'  
7 - 14° DEVIATION

**NOTES:**

1. THIS ITEM REPLACES TIMBER INTERMEDIATE & ANGLE SUSPENSION CROSSARM SHOWN ON STD DRG NO S01-01-02-04, ITEM 2.
2. DEVIATION APPLIES TO SPAN LENGTHS UP TO 175m. FOR SPAN LENGTHS GREATER THAN 175m INDIVIDUAL CALCULATION FOR APPROPRIATE CONDUCTOR IS REQUIRED.
3. ALL BOLTS TO BE COATED WITH PRESERVATIVE GREASE.
4. CENTRE CONDUCTOR STAGGERED TO MAINTAIN MID-SPAN CLEARANCE.

ITEM	QTY(p)	QTY(q)	DESCRIPTION	STOCK CODE	DRG REF
8	3	6	SPRING WASHER	114330	S01-01-04-15
7	3	6	INSULATOR STUDS	.....	S01-01-04-34
6	NR	3	CROSSARM SPACER PLATE	9332	S01-01-04-14
5	3	6	POST INSULATORS	8375	S...
4	2	4	SPRING WASHER	114322	S01-01-04-15
3	4	8	FLAT WASHER	113985	S01-01-04-15
2	2	4	CROSSARM BOLTS	114553	S01-01-04-15
1	1	2	100 X 100 X 5mm RHS X-ARM	291641	S01-01-02-09

SUPERSEDED

NO	DESCRIPTION	DRN	DATE	CKD	APPD
1	SUPERSEDED	A.T.	DEC'12	B.C.	B.C.
AMENDMENTS					



DES -	POWER STANDARD DRAWING		
DRN R. INNES	<b>POLE TOP UNITS - HV 22kV STEEL REPLACEMENT CROSSARMS FOR TIMBER TYPES P &amp; Q</b>		
CKD -			
APPD F. ROBSON	A3	DRAWING NUMBER S01-02-02-31	
SCALE AUG'99		DRAWING NUMBER S01-02-02-31	
ISSUED 1:20	DRAFTING STANDARD TO A.S.1100		CAD PRODUCT - DO NOT AMEND MANUALLY
ALL DIM. IN mm	CAD PRODUCT - DO NOT AMEND MANUALLY		

