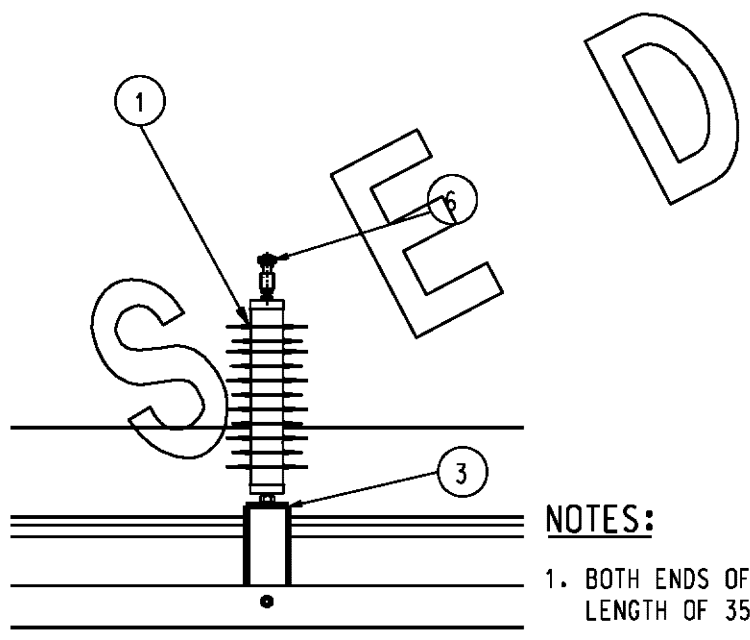


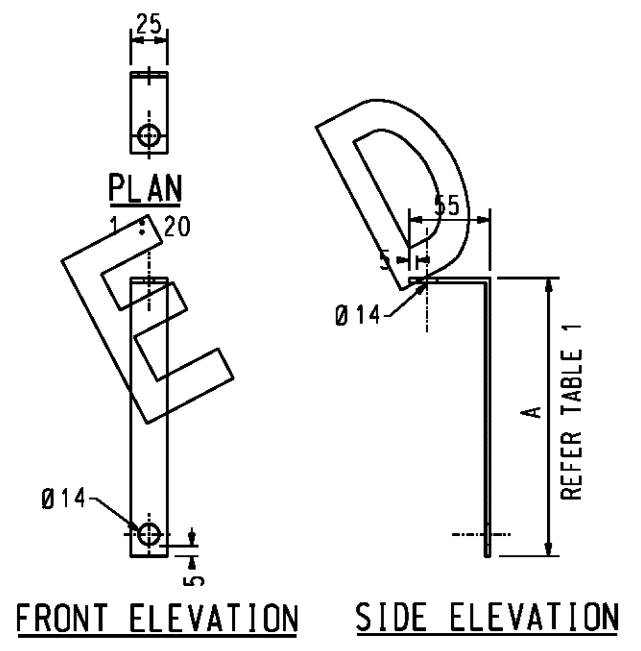
GENERAL ARRANGEMENT (ILLUSTRATIVE ONLY)
 REPLACEMENT OF SUPERSEDED PORCELAIN SURGE DIVERTER WITH POLYMER HOUSED ZINC OXIDE TYPE

TRANSFORMER TYPE	DIMENSION A
11 kV SQUARE	75
22 kV SQUARE	138
22 kV ROUND	190

TABLE 1 - CONNECTOR STRAP DETAILS



SPLIT BOLT ASSEMBLY



CONNECTOR STRAP - ITEM 1
 USED TO CONNECT BASE OF POLYMER HOUSED SURGE DIVERTER TO EARTHING BUSBAR

NOTES:

- BOTH ENDS OF CONNECTOR STRAP TO BE TINNED ON BOTH SIDES OVER A LENGTH OF 35mm.
- TYPES OF SURGE DIVERTER IN USE :
 - PORCELAIN A.B.B. & BOWTHORPE (DWG S01-01-04-32).
 - RAYCHEM (DWG S01-01-04-19) & POLYMER HOUSED BOWTHORPE (S01-01-04-33).

TAGNo	QTY.	DESCRIPTION	STOCK CODE	DRG REF
6	1	SPLIT BOLT, 19/1.53 & ADAPTOR	2196	S01-01-04-33
5	1	CLAMP - LUG CONNECTOR, 19/1.53	2196	
4	1	TRANSFORMER	-	-
3	A/R	CONNECTOR (ITEM 1) 3 mm COPPER STRAP	9837	-
2	2	SURGE DIVERTER (HV) PORCELAIN	REFER NOTE 2	S01-01-04-32
1	1	SURGE DIVERTER (HV) POLYMER HOUSED	REFER NOTE 2	S01-01-04-19&33

MATERIAL SCHEDULE

NO	DESCRIPTION	DRN	DATE	CKD	APPD
1	SUPERSEDED	A.T.	DEC'12	B.C.	B.C.
AMENDMENTS					



DES F. NUNN	POWER STANDARD DRAWING		
DRN J. LIVESLEY	ASSEMBLIES SURGE DIVERTER CONNECTIONS		
CKD S. MANSFIELD			
APPD F. ROBSON			
SCALE N.T.S.			
ISSUED JUN'98	A3	DRAWING NUMBER	S01-02-01-13
ALL DIM. IN mm			
DRAFTING STANDARD TO A.S.1100		CAD PRODUCT - DO NOT AMEND MANUALLY	

