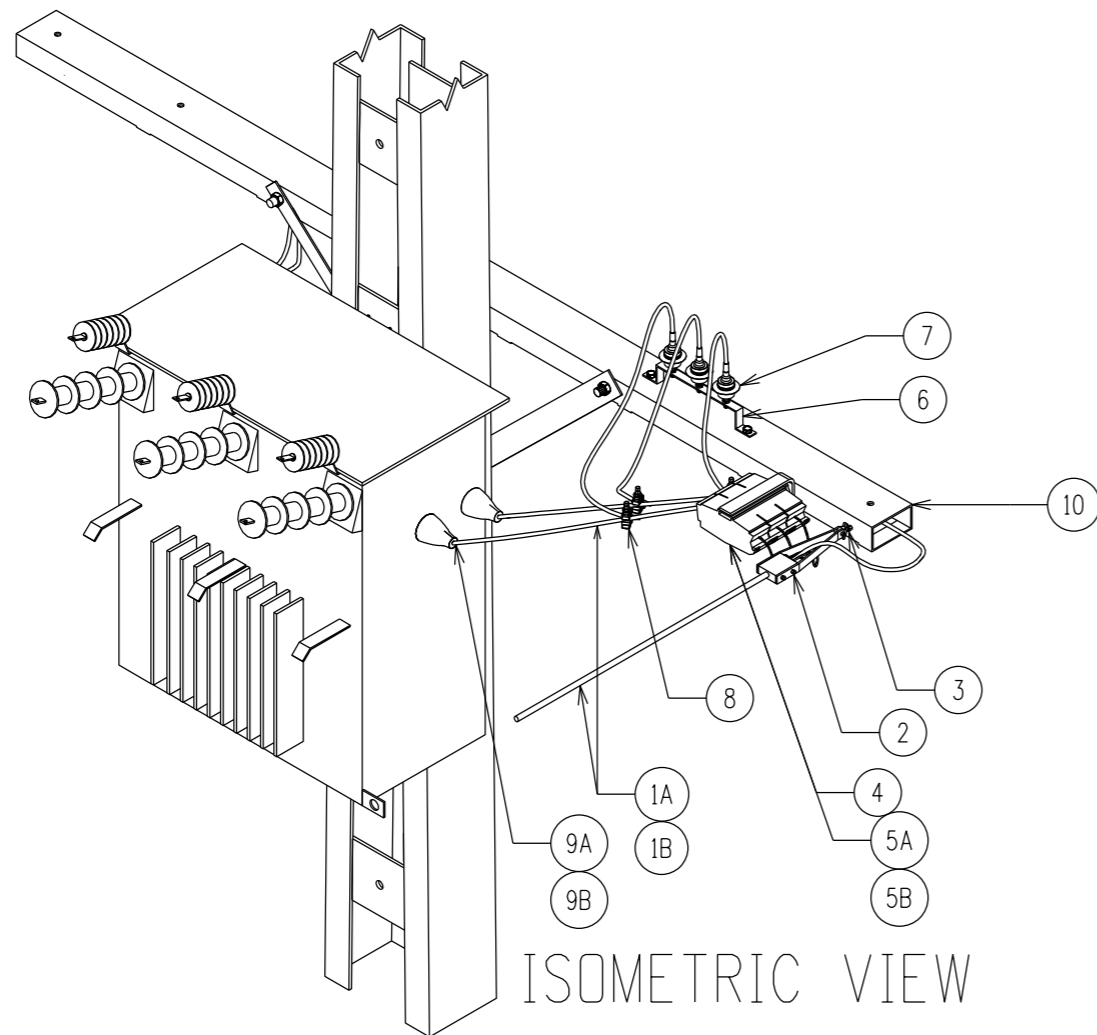
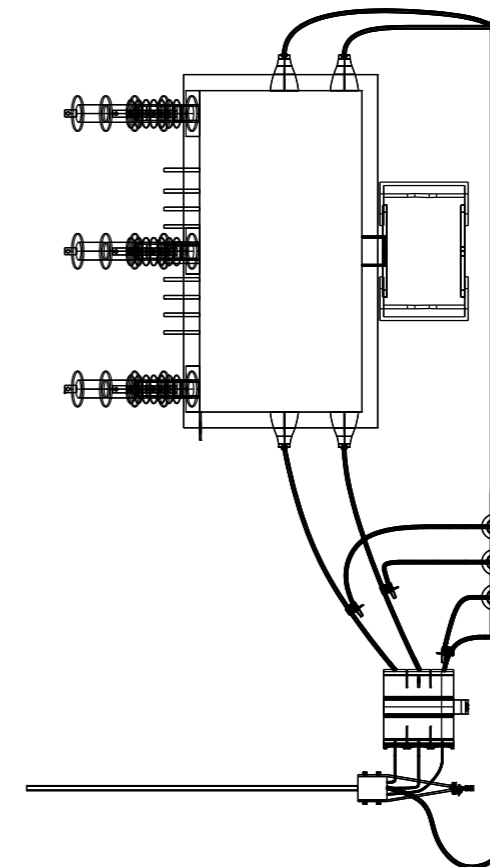


NOTES:

1. A) WHERE 95SQMM LV-ABC IS USED THE MAXIMUM TRANSFORMER SIZE IS 100KVA.
B) WHERE 150SQMM LV-ABC IS USED THE MAXIMUM TRANSFORMER SIZE IS 200KVA.
2. LV SURGE ARRESTOR TAILS SHALL BE AS SHORT AS POSSIBLE.
3. TRANSFORMER ACTIVE TAILS SHALL BE COLOUR CODED AT BOTH ENDS WITH COLOURED HEATSHRINK.
4. WHERE TRANSFORMER ACTIVE TAILS CROSS TO THE OTHER SIDE OF THE TRANSFORMER, THE CABLES SHALL BE RUN UNDER THE CROSSARM AND SUPPORTED BY THE CROSSARM REINFORCING BRACES.



ISOMETRIC VIEW



TOP VIEW

CROSSARM REMOVED FOR CLARITY

ITEM	QTY	DESCRIPTION	STOCK CODE	DWG No.
10	1	LV-ABC TERMINATION CROSSARM	406823	S04-1-2-19
9B	10	INSULATED CRIMP LUG FOR 150SQMM LV-ABC	415589	S04-1-2-18
9A	10	INSULATED CRIMP LUG FOR 95SQMM LV-ABC	407378	S04-1-2-18
8	3	INSULATION PIERCING CONNECTOR 150/35	415586	S04-1-2-15
7	3	LV SURGE ARRESTOR	10041	S01-1-4-20
6	1	LV SURGE ARRESTOR MOUNTING BRACKET	214932	S01-1-4-27
5B	3	250A SIZE 1 LV DIN FUSE	11072	S02-1-4-10
5A	3	200A SIZE 1 LV DIN FUSE	9712	S02-1-4-10
4	1	400A FUSE/SWITCH DISCONNECTOR	255943	S04-1-3-05
3	1	M16 HOOK BOLT, NON -BREAKAWAY ASSEMBLY	-	S04-1-2-07
2	1	LV ABC STRAIN CLAMP, 4 x 95/4 x 150 sq.mm	415585	S04-1-2-11
1B	AR	CABLE LV ABC, 4 x 150 sq.mm	415591	S04-1-1-01
1A	AR	CABLE LV ABC, 4 x 95 sq.mm	197665	S04-1-1-01

MATERIAL SCHEDULE

NO	DESCRIPTION	DRN	DATE	CKD	APPD
8	ITEM 4 AMENDED	CWM	MAY'20	BC	BC
7	TITLE BLOCK & DRAWING NUMBER FORMATTED	KT	DEC'19	CC	CC
6	TITLE & DRAWING UPDATED TO SUIT				
6	SINGLE CIRCUIT ARRANGEMENT	CC	SEP'12	AT	SC
5	FUSE CHANGED, LV ARM DETAILS ADDED	JC	JUN'09	AT	SC
4	NEUTRAL ARRANGEMENT CHANGED, NOTES ADDED	JC	JUL'08	AT	SC
3	ADD DRAWING NO. TO TAG 8	RG1	APR'08	MWB	FRR
AMENDMENTS					



DES	A. TAYLOR	POWER STANDARD DRAWING			
DRN	C. COPPINS	LV-ABC SUBSTATION CABLE CONNECTION SINGLE CIRCUIT			
CKD	A. TAYLOR				
APPD	B. CHEUNG				
SCALE	N.T.S.				
ISSUED	SEP'12	A3	DRAWING NUMBER	S04-02-04-02	 8 AMDT
ALL DIM. IN	mm				
DRAFTING STANDARD TO A.S.1100					