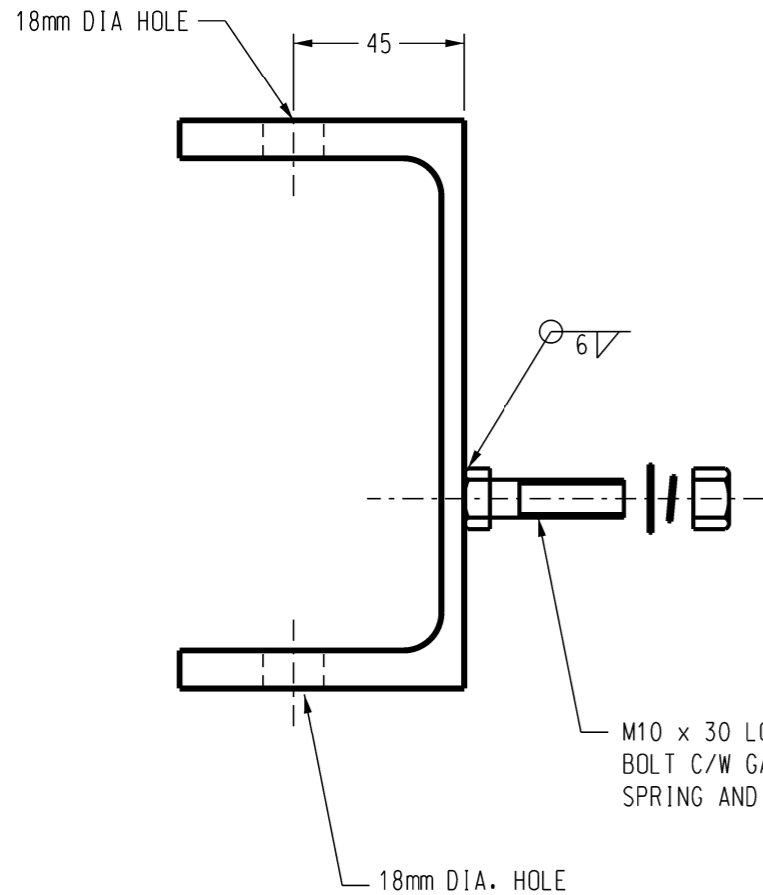
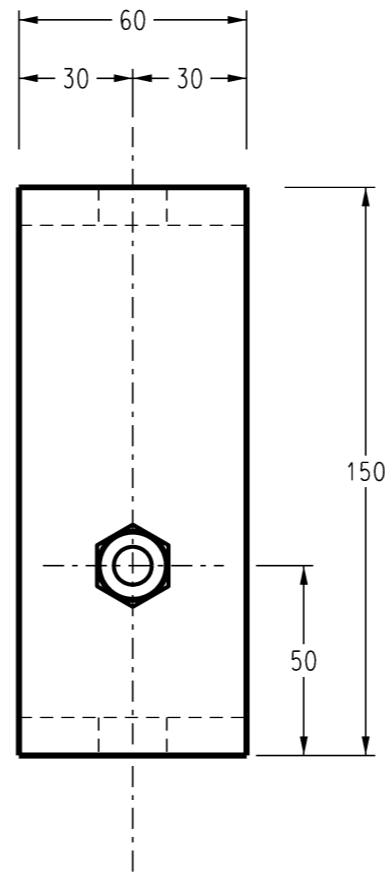


3RD ANGLE -DO NOT SCALE - REPORT ANY ERRORS, OMISSIONS TO DRAFTING OFFICE





M10 x 30 LONG GALVANIZED BOLT C/W GALVANIZED NUT, SPRING AND FLAT WASHER.



NOTES:

1. ALL WORKMANSHIP AND MATERIALS SHALL BE IN ACCORDANCE WITH AS 3678.
2. ALL WELDING AND WELD PREPARATION SHALL BE IN ACCORDANCE WITH AS1554. FILLET WELDS TO BE 6mm U.N.O.
3. ALL ROUGH OR BURRED EDGES ARE TO BE DRESSED CLEAN
4. BRACKET TO BE MOUNTED UNDER LV CROSSARM, WHERE
 - A) STREET LIGHT FUSE IS REQUIRED
 - B) AERIAL BUNDLED CABLE HOOK BOLT IS REQUIRED (CONVERSION FROM OPEN WIRE, REFER DRG. S04-02-01-22).

						 NORTHERN TERRITORY	DES H. TOMES DRN A. DAVIS CKD R. INNES APPD F. ROBSON SCALE 1:2 ISSUED MAY '98 ALL DIM. IN mm	POWER STANDARD DRAWING		BRACKET STREET LIGHT FUSE MOUNTING LV CROSSARM	A3	DRAWING NUMBER	S03-01-03-06	
2	TITLEBLOCK & DRAWING NUMBERS FORMATTED	K.T.	FEB '19	C.C.	C.C.									
1	REDRAWN IN CAD	A.D.	MAY '98	R.I.	F.R.									
NO	DESCRIPTION	DRN	DATE	CKD	APPD									
AMENDMENTS														
DRAFTING STANDARD TO A.S.1100 CAD PRODUCT - DO NOT AMEND MANUALLY														