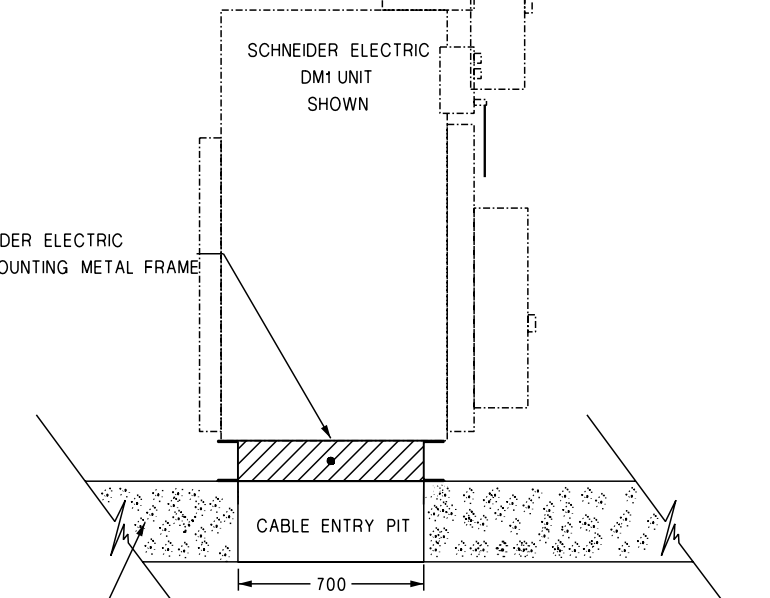


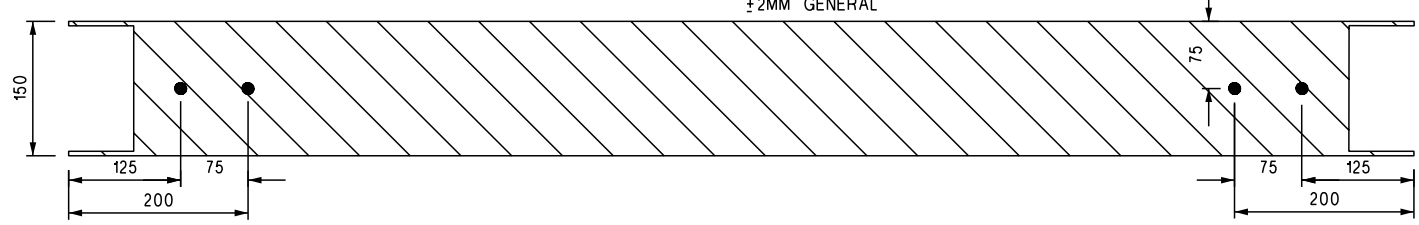
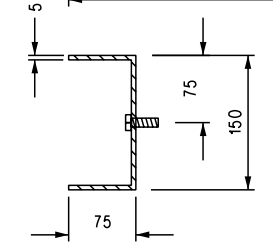
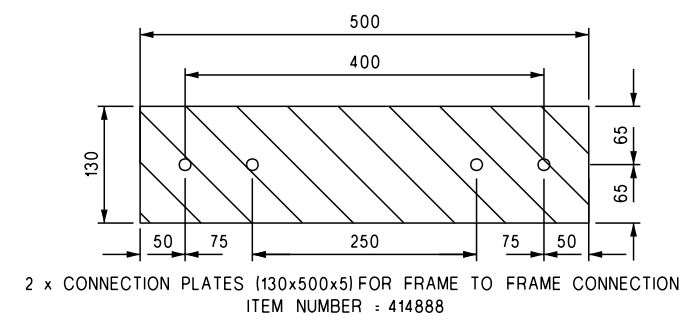
OUTLINE INDICATES CUBICLE POSITION FOR 4 x SM6 UNITS CONDITION



CONCRETE SLAB FOR SM6 SWITCHGEAR REFER TO SM6 FOUNDATION DRAWING S02-02-06-32.

NUMBER OF CUBICLES	2	3	4	5	6	7
DIMENSION C	600	975	1350	1725	2100	2475
DIMENSION A	750	1125	1500	1875	2250	2625
DIMENSION B	720	1095	1470	1845	2220	2595
ITEN NUMBER	414663	414664	414665	414666	414667	414668

MATERIAL: DURAGAL CHANNEL  
 BOLT: M10x30 AND ALL WELD TO FRAME  
 FINISH: ALL WELD BOLTS AND HOLES ARE REPAIRED WITH MINIMUM OF TWO COATS OF ZINC PRIMER  
 TOLERANCE: ALL HOLE SIZE 13MM DIAMETER ±1MM  
 ±2MM GENERAL



NO	DESCRIPTION	DRN	DATE	CKD	APPD
4	TITLEBLOCK & DRAWING NUMBER FORMATTED	K.T.	FEB'19	C.C.	C.C.
3	DIM C ON 7 WAY FRAME AMENDED	A.T.	MAR'15	I.B.	B.C.
2	REFERENCE TO FOUNDATION DRAWING ADDED	V.T.	FEB'13	A.T.	B.C.
1	CABLE ENTRY PIT WIDTH INCREASED	V.T.	AUG'12	A.T.	B.C.
0	ISSUED FOR CONSTRUCTION	V.T.	05/09/11	B.N	T.T
AMENDMENTS					



DES	POWER STANDARD DRAWING	
DRN	SCHNEIDER ELECTRIC SM6	
CKD	MOUNTING FRAME 400A-630A IM,DM1,OM,	
APPD	GBM,IMB,GBC UNITS	
SCALE	A3	
ISSUED	DRAWING NUMBER	S02-01-04-20
ALL DIM. IN mm	DRAWING NUMBER S02-01-04-20	
DRAFTING STANDARD TO A.S.1100		CAD PRODUCT - DO NOT AMEND MANUALLY

