

NOTES:

1. REFER TO S01-01-04-52 FOR MORE INFORMATION ON GUARDS.
2. PLACE ELECTROSTATIC GUARDS WITH FINGERS POINTING UP TOWARDS THE CONDUCTOR.
3. WHERE FIBERGLASS CROSSARMS ARE USED, ANIMAL GUARDS SHALL BE PLACE ON THE CENTER PHASE INSULATOR ONLY.
4. WHERE STEEL CROSSARMS ARE INSTALLED, ANIMAL GUARDS SHALL BE PLACED ON ALL INSULATORS.
5. OFFSET HV C TOP CONSTRUCTIONS WITH FIBERGLASS CROSSARMS DO NOT REQUIRE ANIMAL GUARDS.

TABLE 1: ANIMAL GUARD ITEM NUMBERS

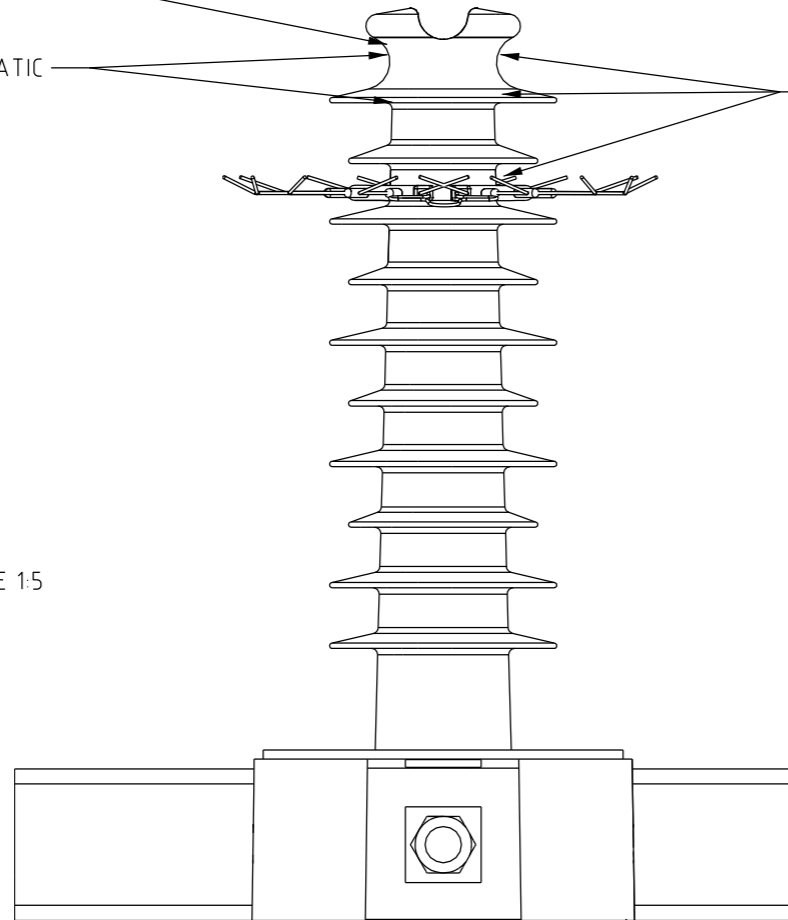
ITEM REF.	ITEM NUMBER	TYPE	NECK SIZE (mm)
1	415946	ELECTROSTATIC	19.1-38.2
2	415947	ELECTROSTATIC	18.2-63.7
3	415948	ELECTROSTATIC	63.7-88.9
4	415949	ELECTROSTATIC	114.7-139.7
5	406334	BARRIER	44.45-127.0

ON 11KV NETWORK PLACE ELECTROSTATIC GUARD UNDER FIRST SHED

ON 22KV NETWORK PLACE ELECTROSTATIC GUARD UNDER THE FIRST OR SECOND SHED AS SHOWN

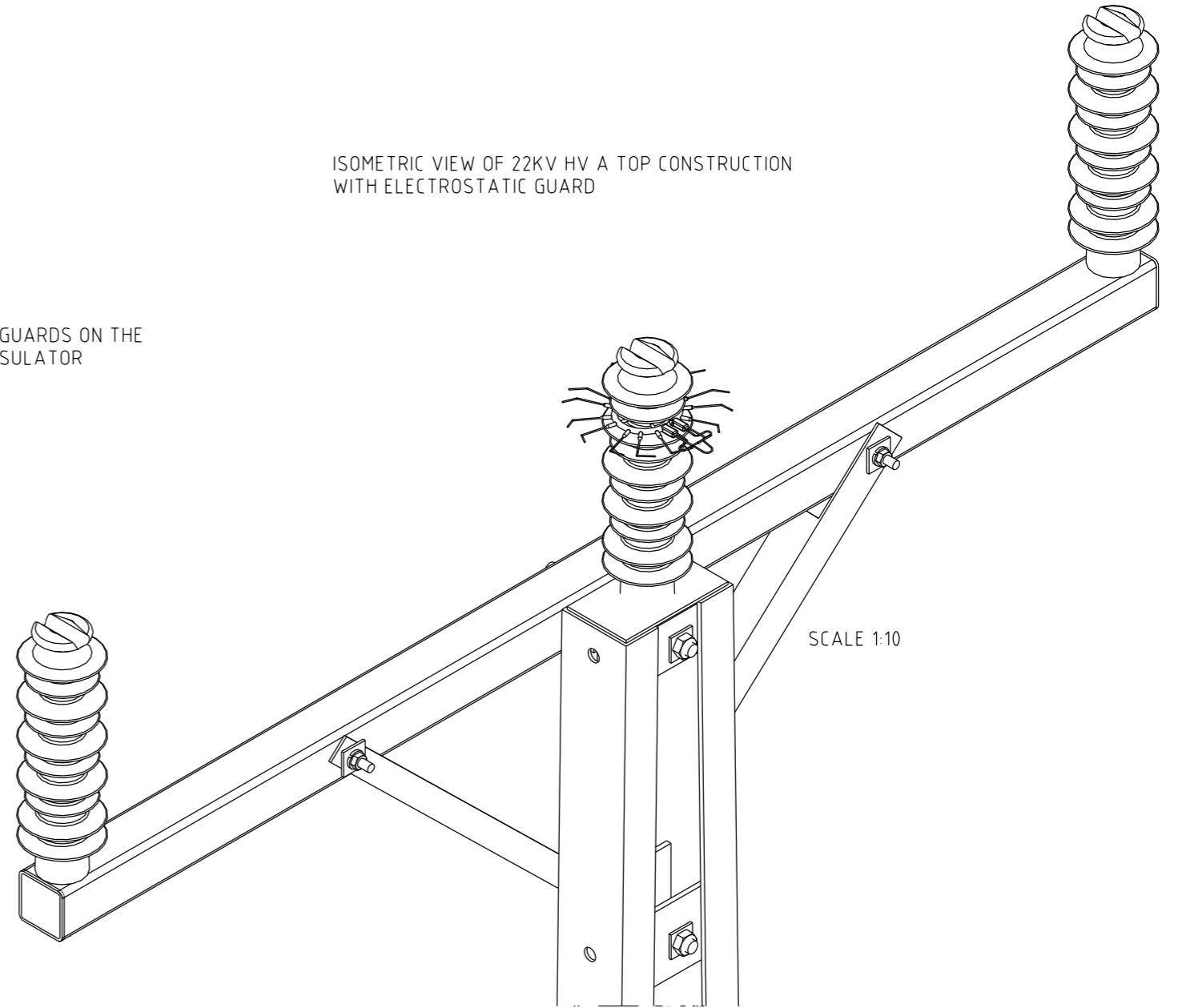
PLACE BARRIER GUARDS ON THE TOP THIRD OF INSULATOR

SCALE 1:5



ISOMETRIC VIEW OF 22KV HV A TOP CONSTRUCTION WITH ELECTROSTATIC GUARD

SCALE 1:10



						DES .	POWER STANDARD DRAWING			
						DRN .	POLE TOP UNITS INSULATOR ANIMAL GUARDS INSTALLATIONS			
CKD .										
APPD .										
SCALE .										
PowerWater NORTHERN TERRITORY						ISSUED .	A3	DRAWING NUMBER	S01-02-02-45	
						ALL DIM. IN mm				
AMENDMENTS						DRAFTING STANDARD TO A.S.1100	CAD PRODUCT - DO NOT AMEND MANUALLY			

NO	DESCRIPTION	DRN	DATE	CKD	APPD
2	UPDATED NOTE 1. ADDED ITEM NUMBER TABLE. REFORMATTED TEXT.	A.N.	JUL'21	A.N.	B.C.
1	TITLEBLOCK & DRAWING NUMBER FORMATTED	K.T.	JAN'19	C.C.	C.C.
0	ISSUED FOR CONSTRUCTION	A.T.	JUN'13	B.C.	B.C.