

**NOTES:**

- 'B TOP' CROSSARM BRACKET TO BE USED FOR LARGER DEVIATION. REFER TO S01-02-01-24
- ORIENTATION OF POLE DESIGN SHALL BE ROTATED 180° FOR EVERY SECOND POLE IN THE FEEDER RUN. THIS ALTERNATES THE POSITION OF THE CENTRE PHASE AND AERIAL EARTH WIRE TO HELP BALANCE THE IMPEDANCE AND IMPROVE CLEARANCE BETWEEN CONDUCTORS.
- FOR BOLTED CONSTRUCTION POLES, EARTH BOND SHALL ATTACH TO THE NEAREST AVAILABLE M12x40 GALV. STEEL BOLT WELDED INTO THE POLE.

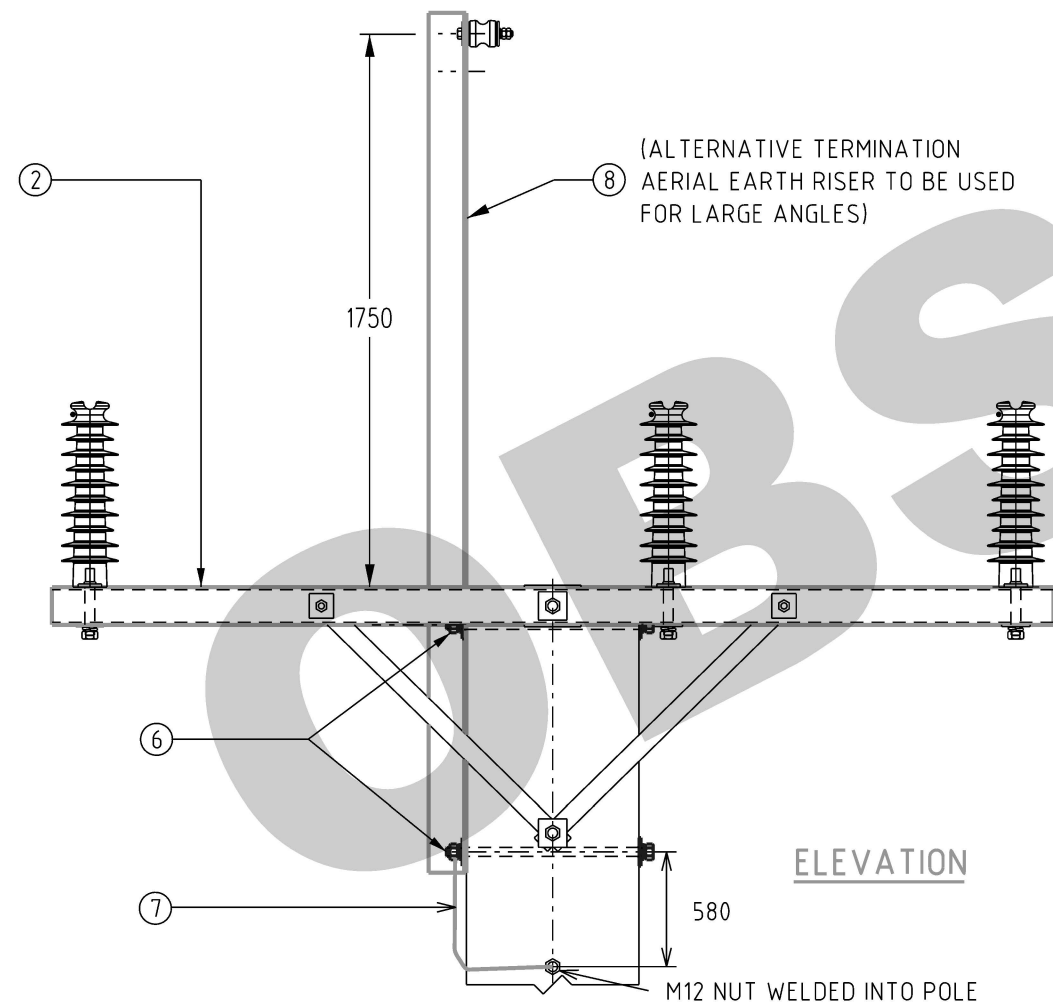
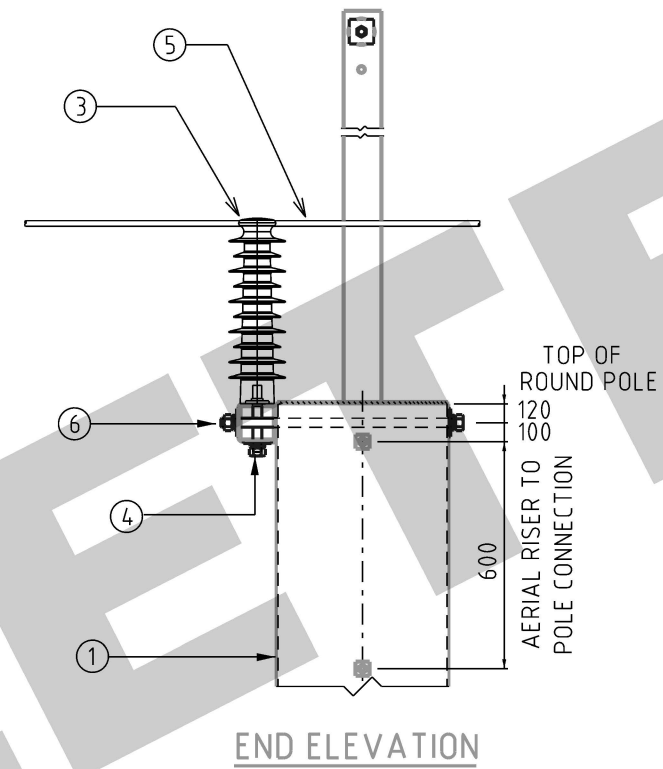
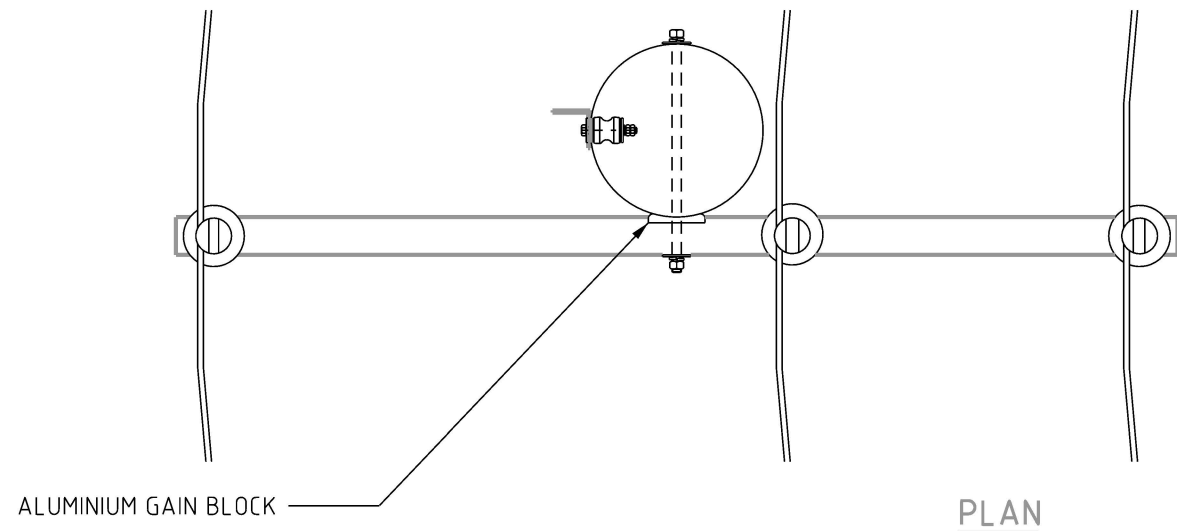
ITEM	QTY.	DESCRIPTION	ITEM NUMBER	DRG. NUMBER
1	1	M24x180 GALV. STEEL BOLT C/W NUT	400802	S01-01-04-43
9	2	M24 GALV. STEEL FLAT WASHER 75x75x5mm	298828	S01-01-04-43
	2	M24 GALV. STEEL SPRING WASHER	114330	S01-01-04-43
8	1	OVERHEAD EARTH RISER, 100x100x6, DURAGAL EA	298638	S01-01-02-13
	2	LUG, COMPRESSION, 70 SQ.MM, M12, Cu	5512	S02-01-02-11
7	2	M12x40 GALV. STEEL BOLT C/W NUT	503669	S01-01-04-43
	3	M12 GALV. STEEL FLAT WASHER	400832	S01-01-04-43
	2	M12 GALV. STEEL SPRING WASHER	239616	S01-01-04-43
	AR	CONDUCTOR, BARE, 70 SQ.MM Cu, EARTHING	9803	S01-01-05-05
6	2	M24x65 GALV. STEEL BOLT C/W NUT	400800	S01-01-04-43
	4	M24 GALV. STEEL FLAT WASHER 75x75x5mm	298828	S01-01-04-43
	4	M24 GALV. STEEL SPRING WASHER	114330	S01-01-04-43
5	AR	BARE CONDUCTOR	-	-
4	3	M24 STUD 140-30 GALV. STEEL C/W NUT, SPRING & FLAT WASHER	300483	S01-01-04-44
3	3	22kV INSULATOR, LINE POST, CYCLOALIPHATIC	300467	S01-01-03-10
2	1	HV CROSSARM, FIBREGLASS, 100x100x5	501656	S01-01-02-10
1	1	UNIVERSAL POLE - 12B TYPICAL	-	-

MATERIAL SCHEDULE

NO	DESCRIPTION	DRN	DATE	CKD	APPD
6	AMENDED NOTE 2.	J.R.	APR'25	B.B.	B.V.
5	ADDED TABLE. UPDATED INSULATOR IMAGERY.	A.N.	OCT'21	A.N.	B.V.
4	TITLEBLOCK & DRAWING NUMBERS FORMATTED	K.T.	DEC'18	C.C.	C.C.
3	AMENDED EARTH LINK AND EARTH LINK DETAILS	A.B.	JAN'17	I.B.	B.C.
2	AMENDED NOTES AND LABELS	C.M.	JAN'10	A.T.	S.C.
1	ADD EARTH BOND	C.M.	JAN'10	A.T.	S.C.
0	ISSUED FOR CONSTRUCTION	A.S.	7.3.01	M.B.	F.R.R.

DES	M. BOCK	POWER STANDARD DRAWING	
DRN	R. INNES	ASSEMBLIES	
CKD	M. BOCK	OVERHEAD EARTH WIRE - LINE POLE	
APPD	F. ROBSON	FOR UNIVERSAL POLE CONSTRUCTION	
SCALE	1:20	SHEET 1 OF 2	
ISSUED	JULY'00	A3	DRAWING NUMBER S01-02-01-22_1
ALL DIM. IN mm			
DRAFTING STANDARD TO A.S.1100		CAD PRODUCT - DO NOT AMEND MANUALLY	





ITEM	QTY.	DESCRIPTION	ITEM NUMBER	DRG. NUMBER
8	1	OVERHEAD EARTH RISER, 100x100x6, DURAGAL EA	298638	S01-01-02-13
7	2	LUG, COMPRESSION, 70 SQ.MM, M12, Cu	5512	S02-01-02-11
	2	M12x40 GALV. STEEL BOLT C/W NUT	503669	S01-01-04-43
6	3	M12 GALV. STEEL FLAT WASHER	400832	S01-01-04-43
	2	M12 GALV. STEEL SPRING WASHER	239616	S01-01-04-43
6	AR	CONDUCTOR, BARE, 70 SQ.MM Cu, EARTHING	9803	S01-01-05-05
	3	M24x650 GALV. STEEL BOLT C/W NUT	401393	S01-01-04-43
	6	M24 GALV. STEEL FLAT WASHER 75x75x5mm	298828	S01-01-04-43
5	6	M24 GALV. STEEL SPRING WASHER	114330	S01-01-04-43
	AR	BARE CONDUCTOR	-	-
4	3	M24 STUD 140-30 GALV. STEEL C/W NUT, SPRING & FLAT WASHER	300483	S01-01-04-44
3	3	22kV INSULATOR, LINE POST, CYCLOALIPHATIC	300467	S01-01-03-10
2	1	HV CROSSARM, FIBREGLASS, 100x100x5	501656	S01-01-02-10
1	1	ROUND POLE	-	-

MATERIAL SCHEDULE

NO	DESCRIPTION	DRN	DATE	CKD	APPD
4	SHEET 1 AMENDED.	J.R.	APR'25	B.B.	B.V.
3	ADDED TABLE, UPDATED INSULATOR IMAGERY, OBOSOLETED.	A.N.	OCT'21	A.N.	B.V.
2	TITLEBLOCK & DRAWING NUMBERS FORMATTED	K.T.	DEC'18	C.C.	C.C.
1	ADDED 70sq mm EARTH BOND, NUT, BOLT & WASHERS	C.M.	MAY'10	A.T.	S.C.
0	ISSUED FOR CONSTRUCTION	A.S.	JAN'08	A.T.	B.C.



DES	M. BOCK	POWER STANDARD DRAWING	
DRN	A. TAYLOR	ASSEMBLIES	
CKD	A. TAYLOR	OVERHEAD EARTH WIRE - LINE POLE FOR	
APPD	B. CHEUNG	ROUND POLE CONSTRUCTION	
SCALE	1:20	SHEET 2 OF 2	
ISSUED	JAN'08	A3	DRAWING NUMBER
ALL DIM. IN mm			S01-02-01-22_2
DRAFTING STANDARD TO A.S.1100		CAD PRODUCT - DO NOT AMEND MANUALLY	

