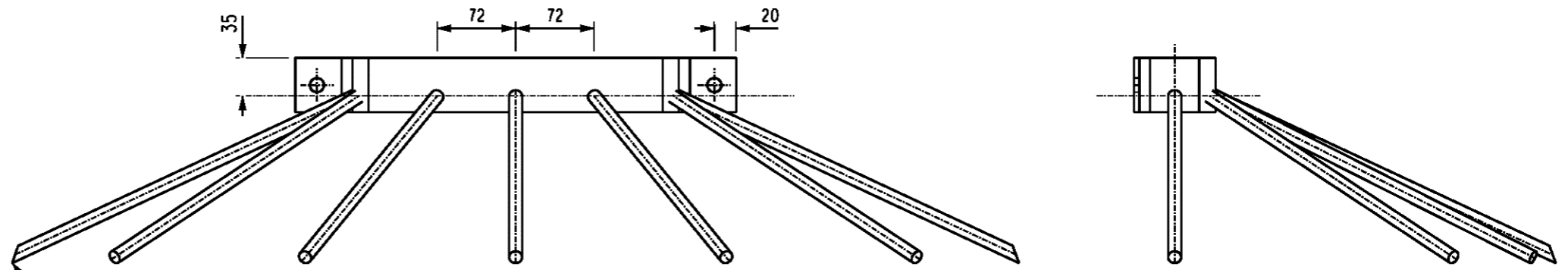


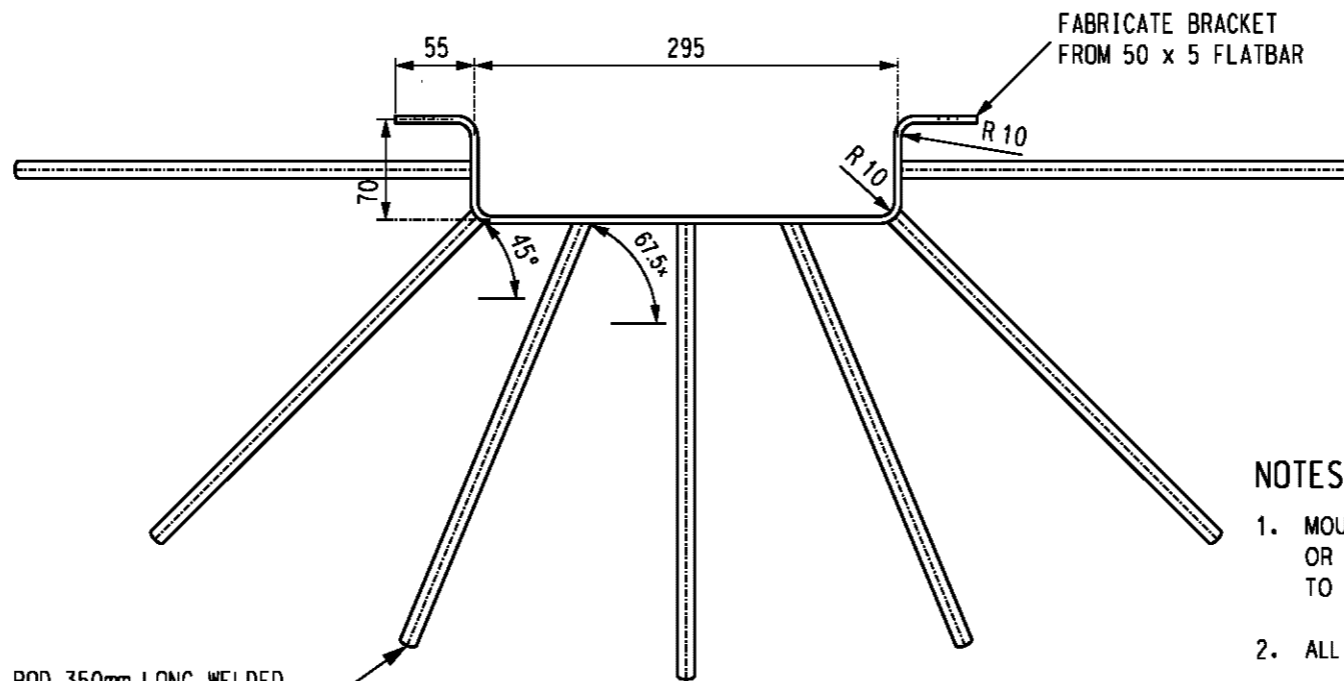
TYPICAL ARRANGEMENT  
ISOMETRIC VIEW



FRONT VIEW

END VIEW

FORM SHARP ENDS BY  
CUTTING ROD AT 45° (TYP)



PLAN VIEW

R12 ROD 350mm LONG WELDED  
TO BRACKET AT 25° WITH 6mm  
FILLET WELD ALL AROUND (TYP)

NOTES:

1. MOUNTING HEIGHT SHOULD BE AT BOTTOM OF THE ANTI-CLIMBING PLATE OR ALTERNATIVELY AT THE TOP OF THE ANTI-CLIMBING PLATE SUBJECT TO A MINIMUM GROUND CLEARANCE OF 2500mm
2. ALL WORKMANSHIP AND MATERIALS TO BE IN ACCORDANCE WITH AS3679.
3. ALL WELDING AND WELD PREPARATION TO BE IN ACCORDANCE WITH AS1554.
4. ALL ROUGH OR BURRED SURFACES ARE TO BE DRESSED CLEAN.
5. AFTER FABRICATION AND CLEAN UP, COMPLETED UNITS ARE TO BE GALVANISED IN ACCORDANCE WITH AS/NZS 4680

1	TITLEBLOCK & DRAWING NUMBER FORMATTED	K.T.	DEC'18	C.C.	C.C.
NO	DESCRIPTION	DRN	DATE	CKD	APPD
AMENDMENTS					

**PowerWater**  
NORTHERN TERRITORY

DES	POWER STANDARD DRAWING				
DRN	A.G	"CROWN OF THORNS" ANTI CLIMBING DEVICE GENERAL ARRANGEMENT			
CKD	F.R				
APPD	F.R.				
SCALE	NTS				
ISSUED	APRIL 00				
ALL DIM.	IN mm	A3	DRAWING NUMBER	S01-01-08-09	1 AMDT
DRAFTING STANDARD TO A.S.1100			CAD PRODUCT - DO NOT AMEND MANUALLY		