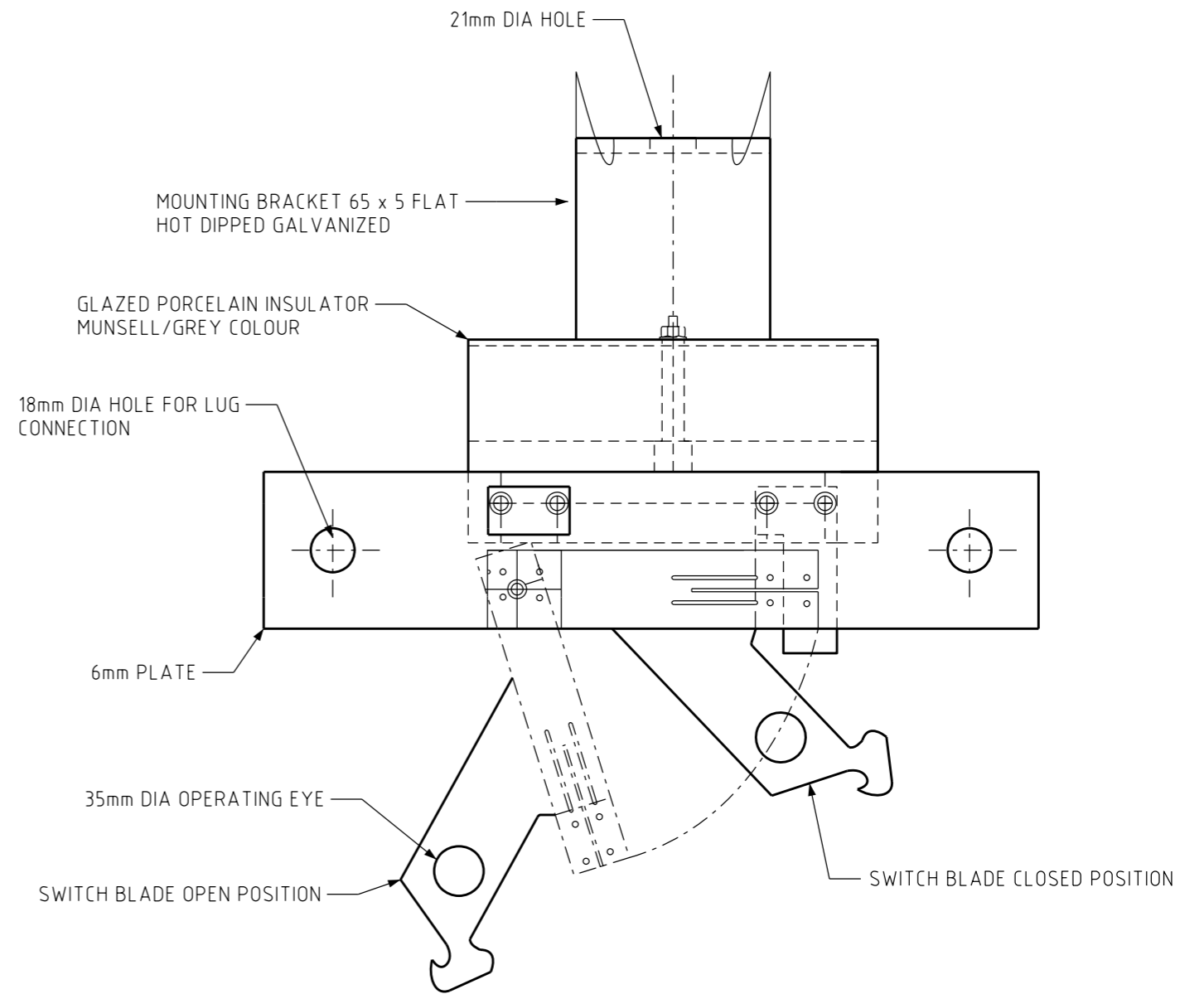


ITEM 1-LV ISOLATING SWITCH (630 A)

(ITEM NUMBER-2246)



ITEM 2-LV ISOLATING SWITCH (800 A)

(ITEM NUMBER-2170)

NOTED:

1. SWITCHES TO COMPLY WITH AS 3947 PART 3.
2. INSULATORS TO COMPLY WITH AS 3608.
3. STEEL MATERIAL TO COMPLY WITH AS 3678 & AS 3679 GRADE 250
4. HOT DIP GALVANIZING TO COMPLY WITH AS 1650
5. BOLTS TO BE METRIC STAINLESS STEEL
6. SWITCH BLADE TO BE COPPER AND ELECTRO-TINNED
7. CONTACTS TO BE SILVER/SILVER PLATED
8. TERMINAL PALMS TO BE COPPER AND ELECTRO-TINNED

11	DIMENSION AND RATING UPDATE	C.C.	APR'20	B.V.	B.V.
10	TITLEBLOCK & DRAWING NUMBER FORMATTED	K.T.	DEC'18	C.C.	C.C.
9	REDRAWN IN CAD	C.C.	OCT'10	A.T.	S.C.
NO	DESCRIPTION	DRN	DATE	CKD	APPD
AMENDMENTS					



DES	A.TAYLOR	POWER STANDARD DRAWING			
DRN	C.COPPINS	SWITCH GEAR ISOLATING SWITCHES LV			
CKD	A.TAYLOR				
APPD	A.TAYLOR				
SCALE	N.T.S.	A3	DRAWING NUMBER	S01-01-06-01	
ISSUED	OCT'10				
ALL DIM. IN	mm	CAD PRODUCT - DO NOT AMEND MANUALLY			
DRAFTING STANDARD TO A.S.1100				AMDT	