

TOP VIEW
1:5

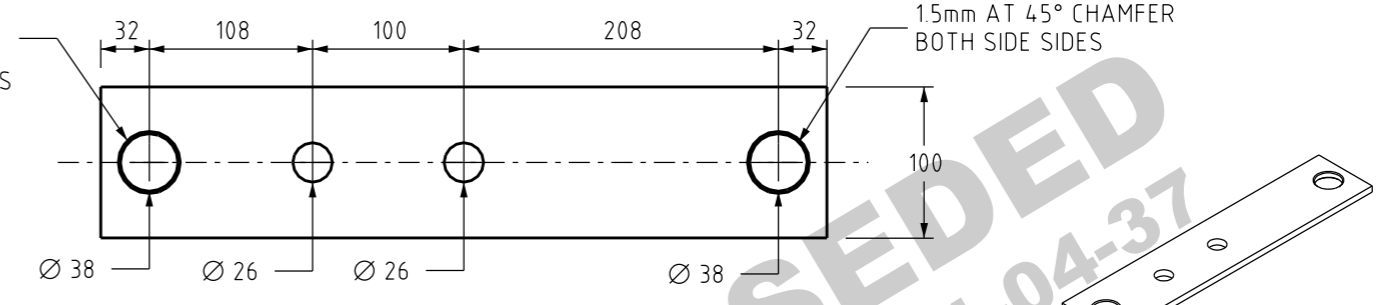
ISOMETRIC VIEW
N.T.S.



FRONT VIEW
1:5

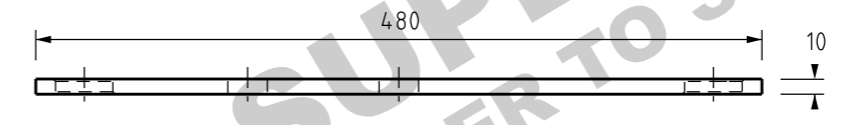
ITEM 1 LV SPACER
MATERIAL - 100x10 F.M.S
ITEM NUMBER 9191

15mm AT 45° CHAMFER BOTH SIDE SIDES



TOP VIEW
1:5

ISOMETRIC VIEW
N.T.S.

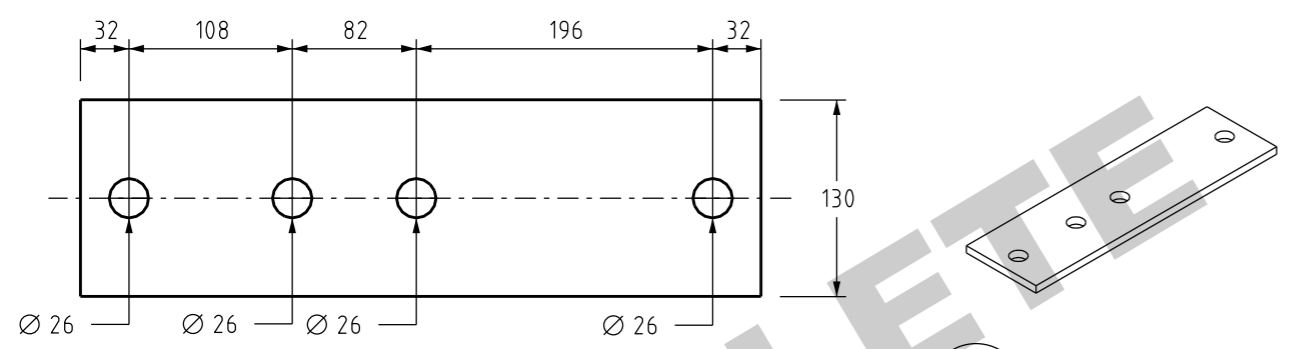


FRONT VIEW
1:5

ITEM 5 HV SHACKLE STRAP

MATERIAL - 100x10 F.M.S
ITEM NUMBER 9183

NOTE:
ALL ROUGH OR BURRED EDGES ARE TO BE DRESSED CLEAN.



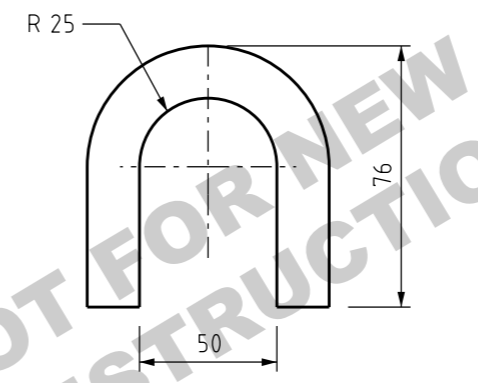
TOP VIEW
1:5

ISOMETRIC VIEW
N.T.S.



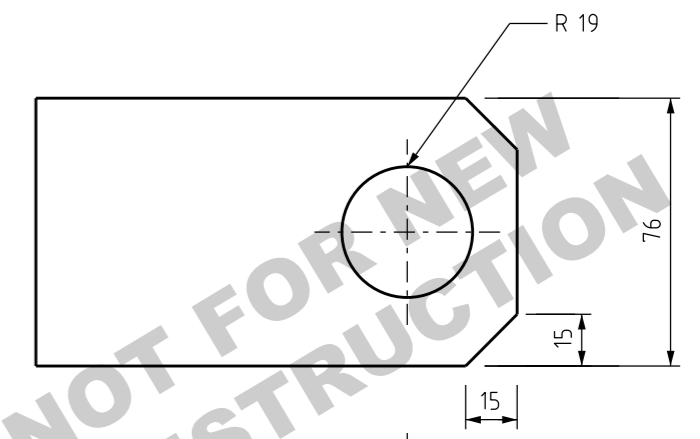
FRONT VIEW
1:5

ITEM 2 HV SPACER
MATERIAL - 130x12 F.M.S
ITEM NUMBER 9209



ITEM 3 'U'-BEND TERMINATION

MATERIAL - M.S. ROD
ITEM NUMBER 9159



ITEM 4 BRACKET ATTACHMENT SUSPENSION

MATERIAL - 76x10 F.M.S
ITEM NUMBER 9167

9	ITEMS 1 & 5 SUPEREDED TO S01-01-04-37. ITEM 2 OBSOLETE.	A.N.	OCT'21	A.N.	B.V.
8	ITEM 3 & 4 NOT FOR NEW CONSTRUCTION.	C.C.	SEP'19	B.C.	B.V.
7	TITLEBLOCK & DRAWING NUMBER FORMATTED	K.T.	DEC'18	C.C.	C.C.
6	REDRAWN ON CAD	A.D.	05/98	R.I.	F.R.
5	TITLE & NUMBER CHANGED	-	7/87	-	-
4	ITEM & STOCK CODES ADDED LINK PLATE DELETED	-	1/87	-	B.K.
3	STORE Nos REVISED	-	4/85	-	RPP
2	NOTE ADDED	R.H.	11/84	-	T.R.
1	HV SHACKLE STRAP DIM'S ALTERED	-	6/82	-	B.K.

NO	DESCRIPTION	DRN	DATE	CKD	APPD
AMENDMENTS					



DES	J.HASSANEN
DRN	A.DAVIS
CKD	R.INNES
APPD	F.ROBSON
SCALE	AS SHOWN
ISSUED	MAY 1998
ALL DIM. IN mm	
DRAFTING STANDARD TO A.S.1100	

POWER STANDARD DRAWING		
LINE HARDWARE SPACERS, U-BEND & SHACKLE STRAP SUSPENSION		
A3	DRAWING NUMBER	S01-01-04-05
		9
		AMDT
CAD PRODUCT - DO NOT AMEND MANUALLY		