

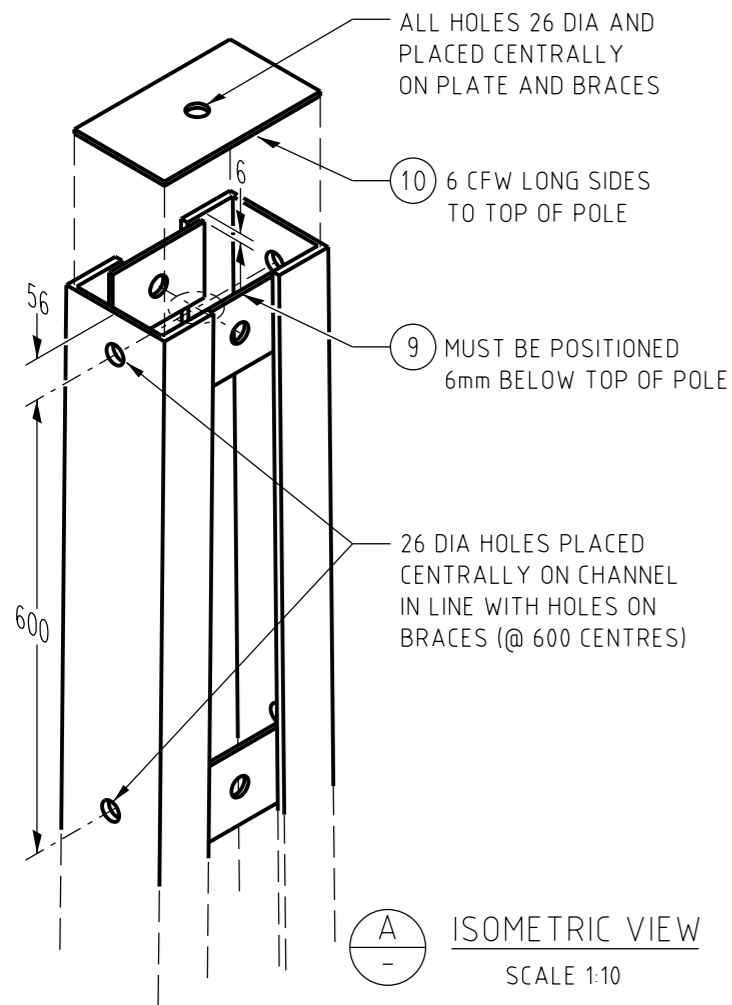
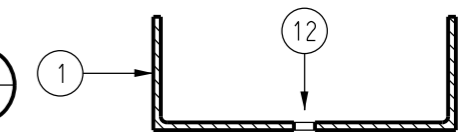
LINE POLE 12.0D EQUIVALENT TOTAL MASS 1100KG - ITEM NUMBER: 298489  
 LINE POLE 12.0D HD GALVANISED - ITEM NUMBER: 501242

SCALE 1:40

NOTES:

- TOP PLATE AND BASE PLATE DO NOT FORM PART OF THE OVERALL DIMENSION.
- BRACES AND GROUND PLATE TO BE WELDED ON INSIDE OF POLE AND TO HAVE 18mm MIN OVERLAP. ANTI-CLIMBING PLATE TO BE WELDED ON OUTSIDE OF POLE.
- ALL WELDS TO BE 6mm FILLET CONTINUOUS WELD EXCEPT ANTI-CLIMBING PLATE WHICH IS TO HAVE 6mm FILLET 150mm LONG AT BOTH ENDS AND CENTRE.
- ALL ROUGH OR BURRED EDGES ARE TO BE DRESSED CLEAN.
- STEEL TO BE GRADE 300 PLUS, REFER TO BHP 1999 HOT ROLLED STRUCTURAL STEEL PRODUCTS.
- PFC DIMENSIONS ARE TO AS 3679.
- WELDING TO COMPLY WITH AS 1554.
- TOLERANCES TO DIMENSIONS OVER 5m IS +/- 5mm.
- EACH POLE IS TO BE ENGRAVED WITH THE SIZE, TARE WEIGHT, FABRICATORS NAME AND MONTH AND YEAR OF FABRICATION.
- ENGRAVING SHALL BE IN LETTERS NO LESS THAN 10mm HIGH AND 0.05mm DEEP AND POSITIONED ON THE FIRST GUSSET PLATE ABOVE GROUND LEVEL.

SECTION B  
1:10



A ISOMETRIC VIEW  
SCALE 1:10

ITEM REF.	QTY.	DESCRIPTION	ITEM NUMBER
14	AR	M12 FLAT ROUND WASHER	400832
13	AR	M12x40 GALV. STEEL BOLT C/W NUT	503669
12	3	Ø14 PREDRILLED HOLE	-
11	1	268 x 238 x 10 FMS, TOP PLATE	-
10	2	220 x 100 x 10 FMS, BRACE 26 DIA. HOLE	-
9	6	220 x 200 x 10 FMS, BRACE 26 DIA. HOLE	-
8	8	260 x 200 x 10 FMS, BRACE 26 DIA. HOLE	-
7	8	330 x 200 x 10 FMS, MID BRACES	-
6	2	350 x 1400 x 6 FMS, ANTI-CLIMBING PLATE	-
5	2	450 x 200 x 10 FMS, BRACE UNDER A/CL PLATE	-
4	2	450 x 500 x 10 FMS, GROUND PLATE	-
3	8	450 x 200 x 10 FMS, FOOTING BRACES	-
2	1	605 x 100 x 10 FMS, BASE PLATE	-
1	2	250 x 90 PFC. 13150 LONG	-

MATERIAL LIST

NO	DESCRIPTION	DRN	DATE	CKD	APPD
6	UPDATED ITEM 6. REFORMATTED TEXT & TABLE.	A.N.	JUL '21	A.N.	B.C.
5	TITLE UPDATED	H.E.	JAN '20	H.E.	B.C.
4	TITLEBLOCK & DRAWING NUMBER FORMATTED. GALVANISED ITEMS ADDED	K.T.	DEC '18	C.C.	C.C.
3	POLE MASS, ITEM 13 & 14 ADDED. NOTE 9 AMENDED. ITEM 12 AMENDED, 13Ø HOLES FOR PADLOCKS REMOVED	A.T.	MAR '16	I.B.	A.T.
2	13Ø HOLES FOR PADLOCKS ADDED	K.I.	OCT '05	C.C.	C.C.
1	M12 X 40 GALV. BOLTS ITEM 12 ADDED AND ITEM 6 RAISED	A.S.	OCT '03	R.C.	M.B.
0	ISSUED FOR CONSTRUCTION	A.S.	MAR '01	M.B.	F.R.R.



DES	M. BOCK
DRN	R. INNES
CKD	R. CLEOPAS
APPD	M. BOCK
SCALE	1:40
ISSUED	JULY '00
ALL DIM.	IN mm
DRAFTING STANDARD TO A.S.1100	

POLES  
LINE 12D  
BOLTED CONNECTIONS TYPE

A3 DRAWING NUMBER S01-01-01-12

CAD PRODUCT - DO NOT AMEND MANUALLY

