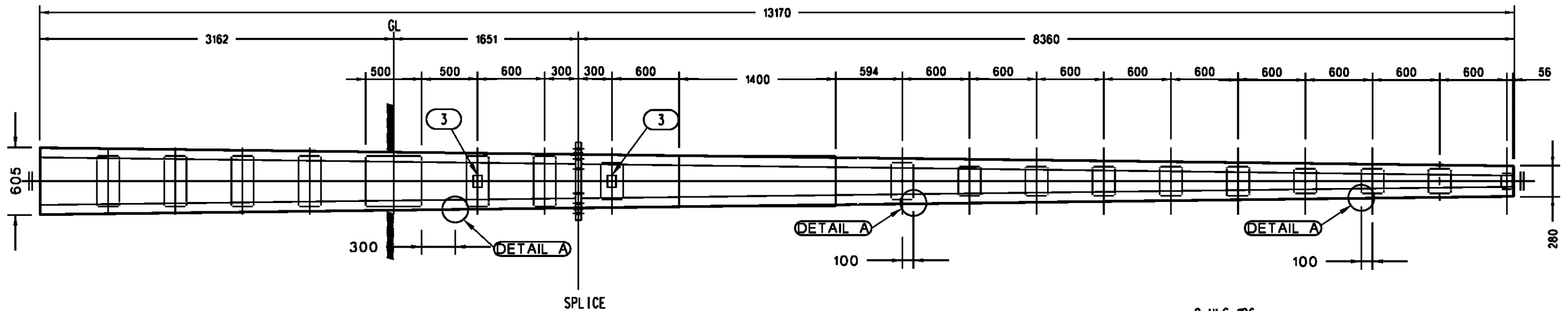


**TWO PIECE SPLICED POLE 12.0D - ITEM NUMBER : 503625**

TOTAL MASS 12.0D - TOP - 728Kg

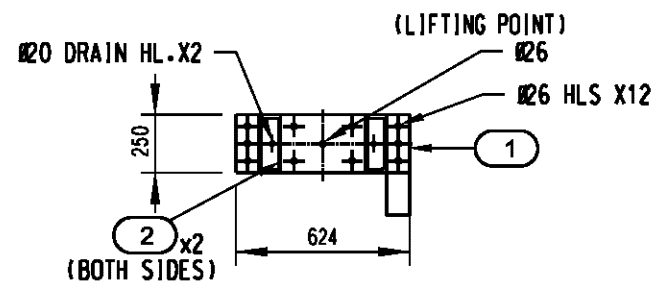
TOTAL MASS 12.0D - BOTTOM - 436Kg



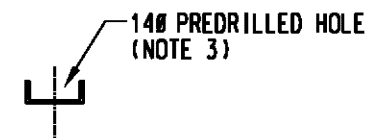
**ELEVATION VIEW**  
NOT TO SCALE

XXX	FABRICATOR'S NAME
01 - 15	MONTH AND YEAR OF FABRICATION
12B	POLE SIZE
1001B	UNIQUE SECTION IDENTIFIER SEQUENCE (#####T OR #####B)
202 KG	SECTION'S TIER WEIGHT

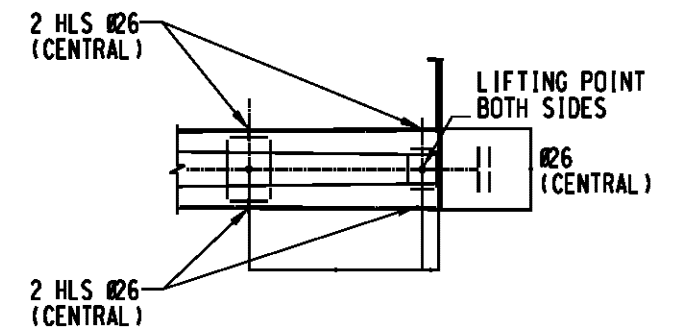
**ITEM 3 POLE DATA PLATE DETAILS**



**ITEM 1 SPLICED DETAIL FOR 12.0D**



**DETAIL A**



**TYPICAL DETAIL FOR WEB PLATE WITH PREDRILLED HOLES**

**NOTES:**

1. CENTRE OF GRAVITY / LIFTING POINT SHALL BE MARKED ON EACH SECTION.
2. TWO PIECE SPLICED POLE IS NOT THE PREFERRED OPTION FOR GREENFIELD SITES.
3. 14# PREDRILLED HOLE FOR EARTH BOND AND NEUTRAL BOND TERMINATION.
4. REFER TO S01-02-01-69 FOR INSTALLATION DETAILS.
5. APPLICATION OF THIS POLE IS RESTRICTED FOR INTERNAL POWER NETWORKS USE ONLY. FOR OTHER APPLICATIONS AND APPROVALS, CONTACT POWER NETWORKS STANDARDS.

ITEM	QTY. 12.0D	MATERIAL DESCRIPTION
1	2	637 x 250 x 25 FMS. FLANGE PLT. 26 DIA HOLES
2	4	218 x 200 x 8 FMS. STIFFENER PLT.
3	2	POLE DATA NAME PLATE

1	TITLEBLOCK & DRAWING NUMBERS FORMATTED	K.T.	DEC '18	C.C.	C.C.
0	ISSUED FOR CONSTRUCTION	J.NDY	FEB '16	A.TAY	I.BAS
NO	DESCRIPTION	DRN	DATE	CKD	APPD
AMENDMENTS					



DES	J.NOYNAY	POWER STANDARD DRAWING	
DRN	A.TAYLOR	TWO PIECE SPLICED POLE LINE 12.0D BOLTED CONNECTIONS TYPE	
CKD	I.BASHIR		
APPD	AS SHOWN	A3	DRAWING NUMBER S01-01-01-34
SCALE	MAR '16		
ISSUED	mm	CAD PRODUCT - DO NOT AMEND MANUALLY	
ALL DIM. IN	mm		
DRAFTING STANDARD TO A.S.1100		1 AMDT	