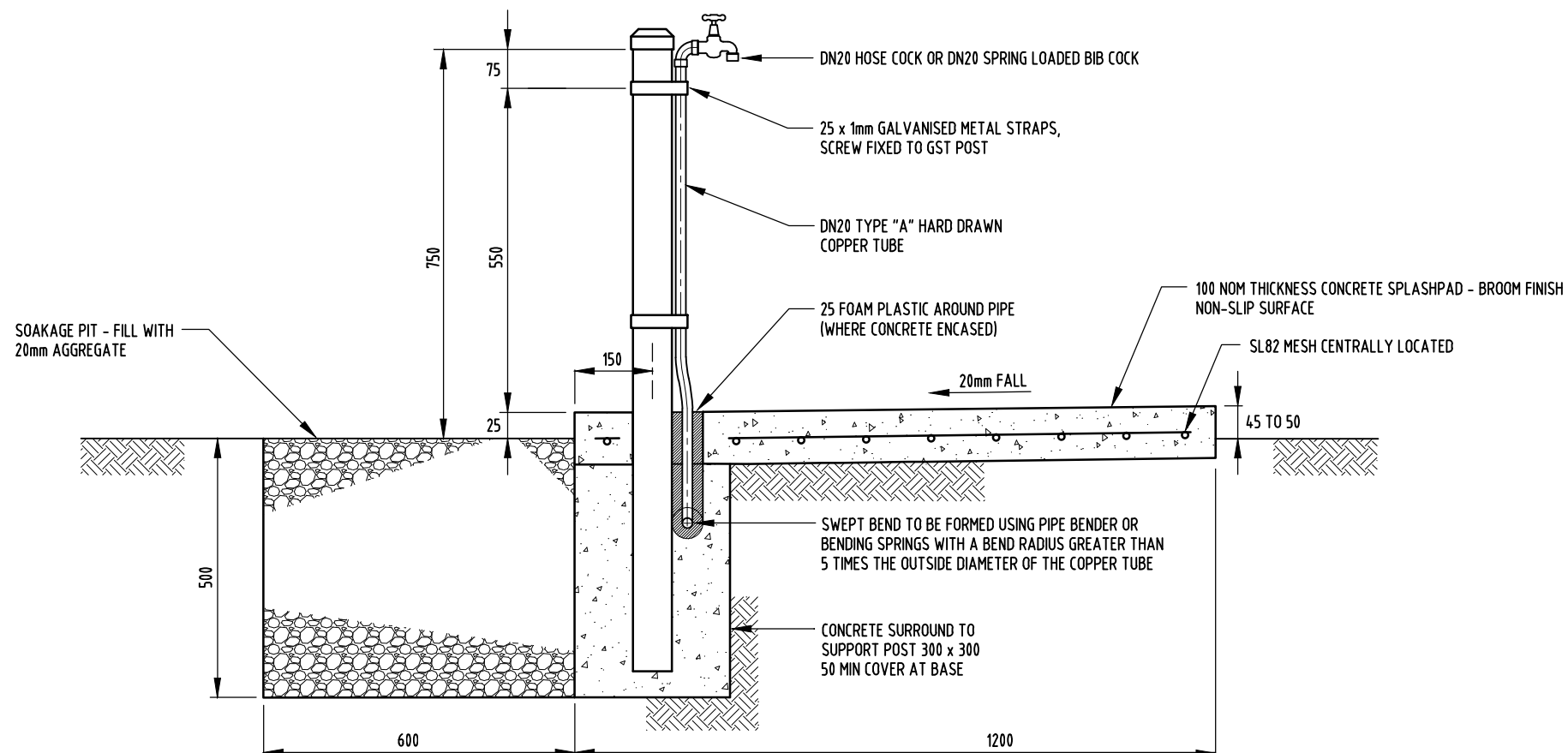


PLAN



SECTION A

5	GENERAL AMENDMENTS 2020.	PW	JULY'20	JR	DC
4	REDRAWN IN AUTOCAD	AW	JUNE'18	JR	DC
3	NOTE 3 ADDED. SERVICE CONNECTION CHANGED	RGI	AUG'08	RJ	JP
2	REDRAWN ON CAD	RGI	JUNE'07	RJ	JP
1	DRAWING WITHDRAWN	RGI	OCT'05	RJ	JP
NO	DESCRIPTION	DRN	DATE	CKD	APPD
AMENDMENTS					



DES	-	WATER STANDARD DRAWING		
DRN	PWC	SERVICES		
CHK	CHY	STANDARD HOSE COCK		
APPD	CHY	AND SPLASHPAD DETAIL		
SCALE	N.T.S.	A3	DRAWING NUMBER	W1-1-06
ISSUED	OCT'93			
ALL DIM. IN mm				5
DRAFTING STANDARD TO A.S.1100		CAD PRODUCT - DO NOT AMEND MANUALLY		
				AMDT