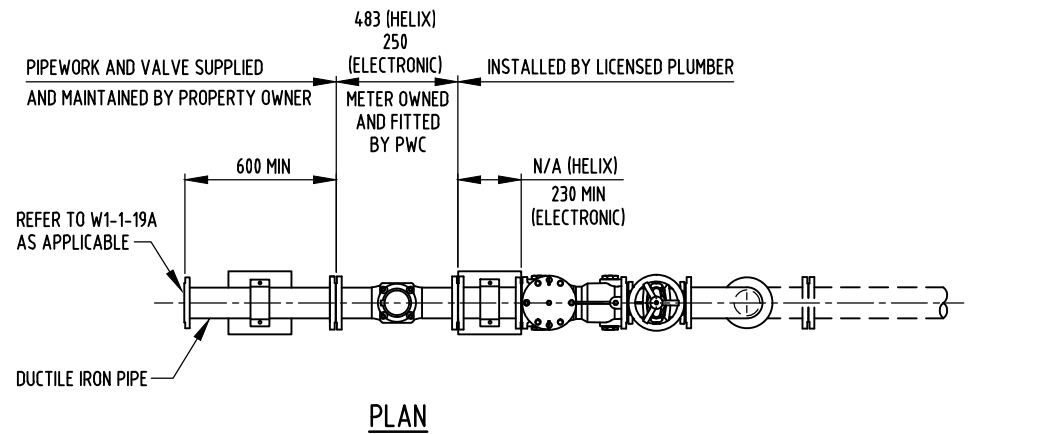
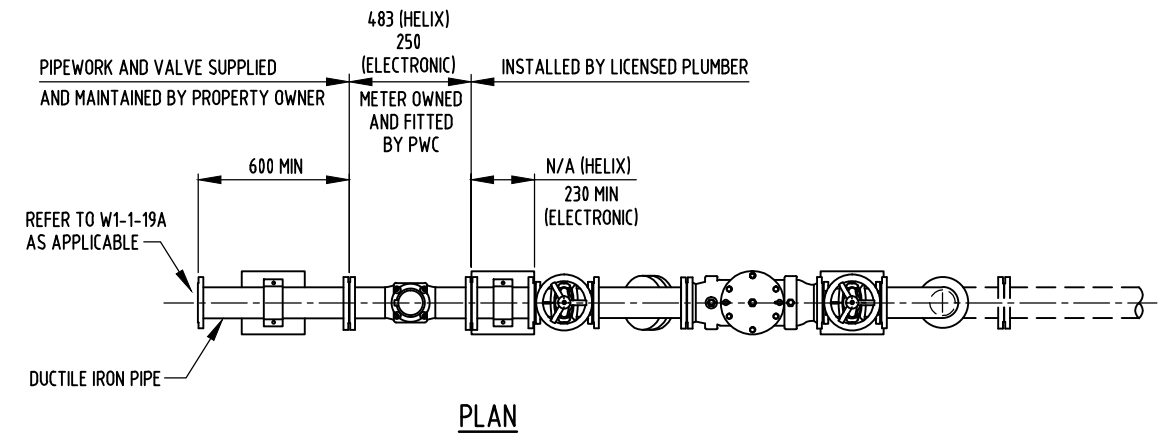


FOR POTABLE WATER ONLY

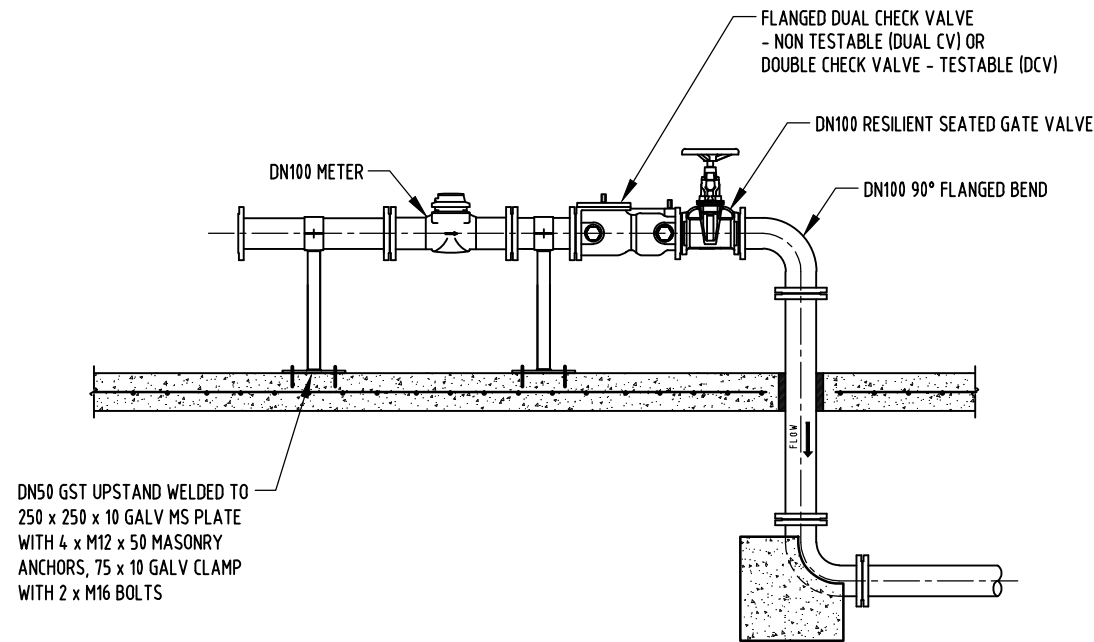
NOT FOR SUPPLY TO FIRE SPRINKLERS OR FIRE HYDRANTS



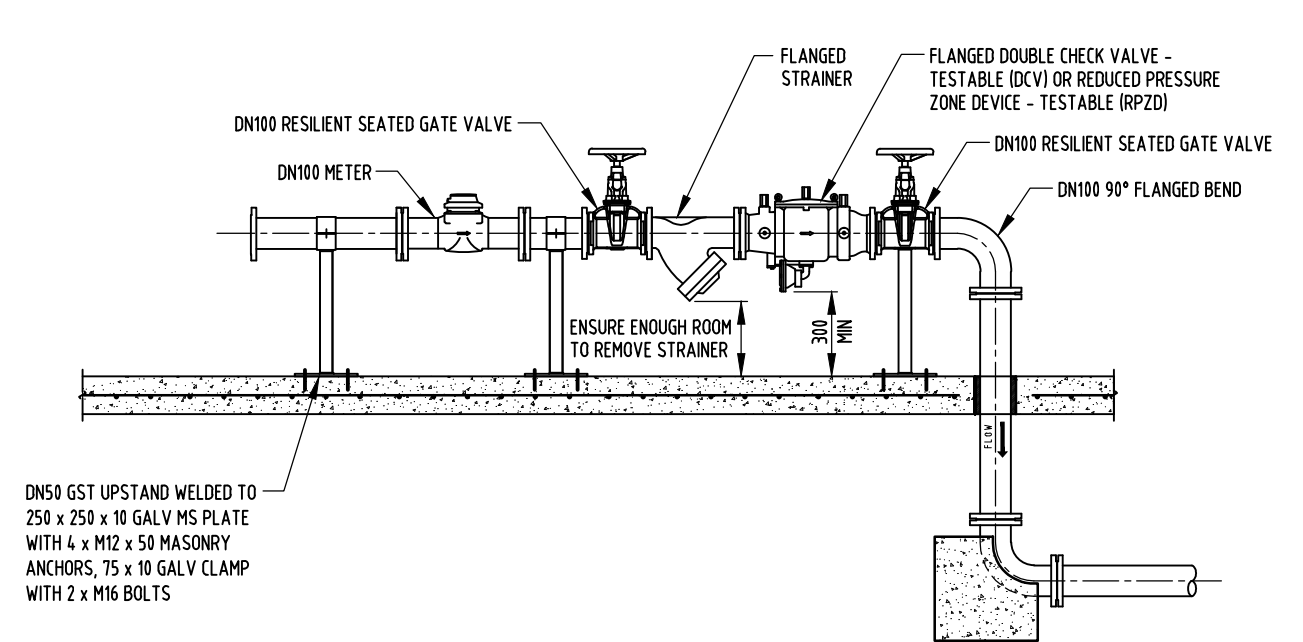
PLAN



PLAN



DN100 ELEVATION
LOW CROSS CONNECTION HAZARD ONLY



DN100 ELEVATION
MEDIUM OR HIGH CROSS CONNECTION HAZARD

NOTES:

1. A BACKFLOW CERTIFIED PLUMBER IS REQUIRED TO DETERMINE THE RISK OF CONTAMINATION OF THE POTABLE WATER SUPPLY DUE TO CROSS CONNECTIONS - REFER AS/NZS 3500.1
2. BOLTS, WASHERS, NUTS AND GASKETS FOR WATER METER INSTALLATION SUPPLIED BY PWC.
3. WHERE A REGISTERED AIR GAP (RAG) OR REGISTERED BREAK TANK (RBT) IS PROPOSED IN LIEU OF A TESTABLE BACKFLOW PREVENTION DEVICE, DISCUSS REQUIREMENTS WITH PWC

WATER METER DN100 - TYPICAL FL-FL DIMENSION	
HELIX 483mm	ELECTRONIC 250mm

REFER ALSO TO NOTES ON W1-1-17C AND W1-1-17D

NO	DESCRIPTION	DRN	DATE	CKD	APPD
AMENDMENTS					
5	GENERAL AMENDMENTS 2020.	PW	JULY'20	JR	DC
4	DETAIL CHANGED.	AW	JAN'19	JR	DC
3	NOTE CHANGED.	AW	DEC'18	JR	DC
2	GENERAL AMENDMENT.	AW	JUNE'18	JR	DC
1	TYCO DUAL CHECK VALVE CODE CHANGED.	RGI	MAR'09	RH	CH



DES	RJ	WATER STANDARD DRAWING SERVICES DUAL DN100/150 (FIRE SERVICE) & DN100 METER CONNECTIONS	DRAWING NUMBER W1-1-19D	3 AMDT
DRN	RI			
CHK	MS			
APPD	JP			
SCALE	N.T.S.			
ISSUED	NOV'08			
ALL DIM. IN mm		A3		
DRAFTING STANDARD TO A.S.1100		CAD PRODUCT - DO NOT AMEND MANUALLY		