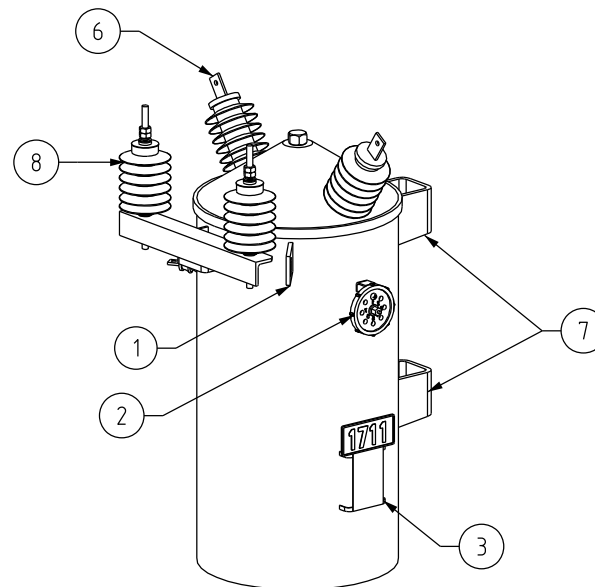
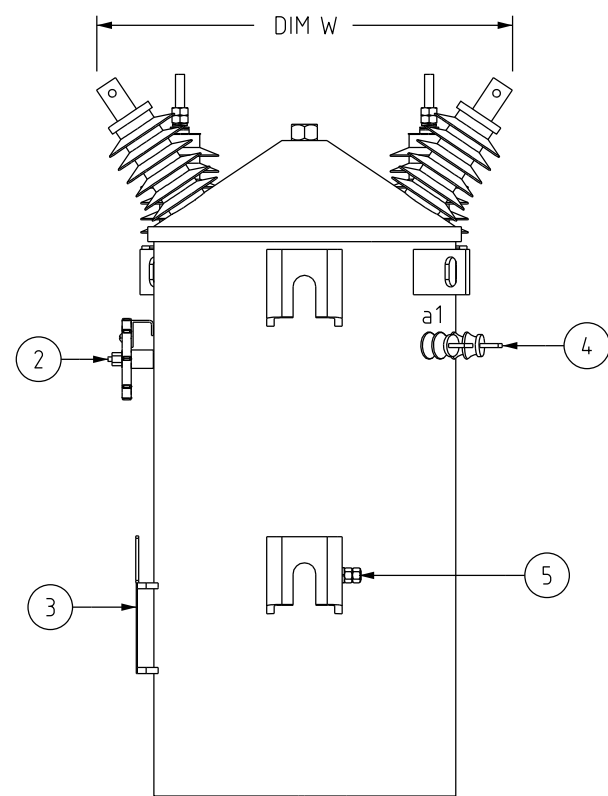


PLAN VIEW SHOWN WITH HV BUSHING REMOVED

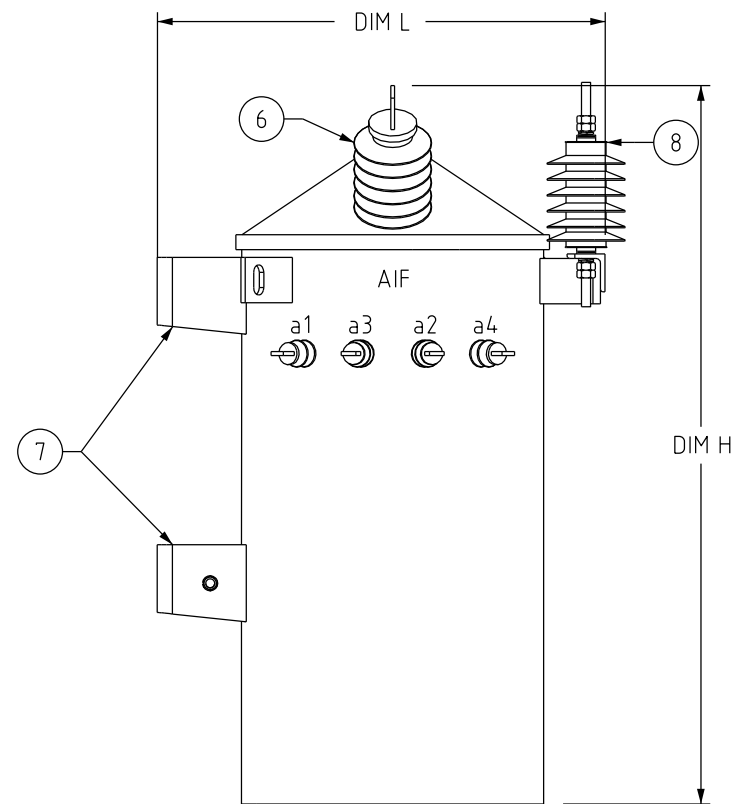
PLAN VIEW
N.T.S.



ISOMETRIC VIEW
N.T.S.



FRONT ELEVATION
N.T.S.



SIDE ELEVATION
1:10

SIZE (KVA)	VOLTAGE		ITEM NUMBER	DIMENSIONS		
	PRIMARY (kV)	SECONDARY (V)		W (mm)	L (mm)	H (mm)
16	11	230	4124.97	510	580	980
16	22	230	4124.96	550	580	950

NOTES:

- FOR 230V OUTPUT, THE FOLLOWING LV TERMINALS ARE TO BE LINKED/BONDED
a1-a3
a2-a4
- PWC APPROVED HV SURGE DIVERTERS ARE TO BE INSTALLED. REFER DRAWING S01-01-04-19 FOR DETAILS
- TO COMPLY WITH PWC SPECIFICATION STSP 01-006 POLE MOUNTED DISTRIBUTION TRANSFORMERS

ITEM	DESCRIPTION LIST
1	LIFTING LUG
2	TAP SELECTOR
3	NAME PLATE
4	LV BUSHING
5	M12 EARTH STUD
6	HV BUSHING
7	HANGING BRACKET
8	HV SURGE DIVERTER

S/No	OIL IS PCB FREE			
SINGLE PHASE DISTRIBUTION TRANSFORMER TO AS 60076				
Rated kVA	16	Winding Temp	65	
HV Volts	11000	Rise °C		
LV Volts	460-230	Top Oil Temp.	60	
HV Amps	145	Rise °C		
LV Amps	35-70	Impedance of	3.3 %	
Frequency Hz	50	16 kVA 75°C		
Insul level kV	95/28	Total Mass kg	165	
Cooling	ONAN	C&C Mass kg	95	
Press. kPa (abs)	0/150	Oil vol. litres	43	
HV winding	Cu	Date	MM/20YY	
LV winding	Cu	Plate No.	50-2023-A	
TOP POS.	TOP CONN.	HV VOLTS	LV VOLTS	AS
1	5-6	12100		AS
2	6-4	11825	a2-a3	AS
3	4-7	11550	460	AS
4	7-3	11275		AS
5	3-8	11000	a1-a3	AS
6	8-2	10725	a2-a4	AS
7	2-9	10450	230	AS
Complies with AS2374.12				

11kV NAMEPLATE

S/No	OIL IS PCB FREE			
SINGLE PHASE DISTRIBUTION TRANSFORMER TO AS 60076				
Rated kVA	16	Winding Temp	65	
HV Volts	22000	Rise °C		
LV Volts	460-230	Top Oil Temp.	60	
HV Amps	0.727	Rise °C		
LV Amps	35-70	Impedance of	3.3 %	
Frequency Hz	50	16 kVA 75°C		
Insul level kV	150/50	Total Mass kg	165	
Cooling	ONAN	C&C Mass kg	95	
Press. kPa (abs)	0/150	Oil vol. litres	44	
HV winding	Cu	Date	MM/20YY	
LV winding	Cu	Plate No.	50-2024-A	
TOP POS.	TOP CONN.	HV VOLTS	LV VOLTS	AS
1	5-6	24200		AS
2	6-4	23650	a2-a3	AS
3	4-7	23100	460	AS
4	7-3	22550		AS
5	3-8	22000	a1-a3	AS
6	8-2	21450	a2-a4	AS
7	2-9	20900	230	AS
Complies with AS2374.12				

22kV NAMEPLATE

NO	DESCRIPTION	DRN	DATE	CKD	APPD
0	ISSUED FOR CONSTRUCTION	C.C.	SEP'20	B.V.	B.C.
AMENDMENTS					



POWER STANDARD DRAWING			
DES	-	TRANSFORMERS	
DRN	C.COPPINS	SINGLE PHASE 11kV & 22kV - POLE MOUNTED	
CKD	B.CHEUNG	16kVA	
APPD	B.VANDERSTELT	GENERAL ARRANGEMENT	
SCALE	N.T.S.	A3	DRAWING NUMBER S01-01-09-08
ISSUED	SEPTEMBER 2020		
ALL DIM. IN mm			
DRAFTING STANDARD TO A.S.1100		CAD PRODUCT - DO NOT AMEND MANUALLY	

