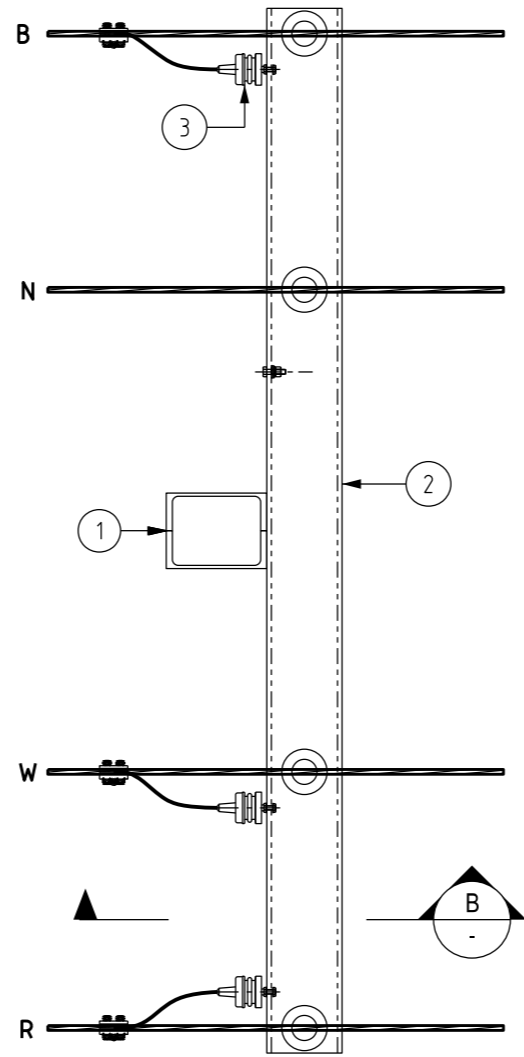
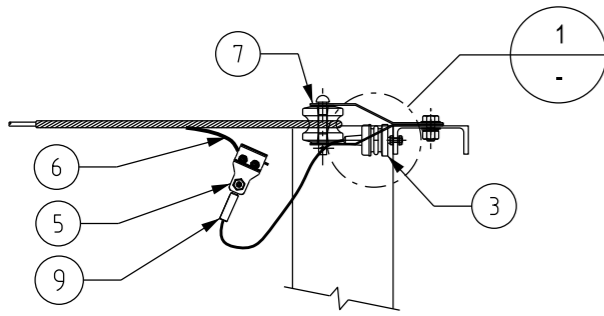


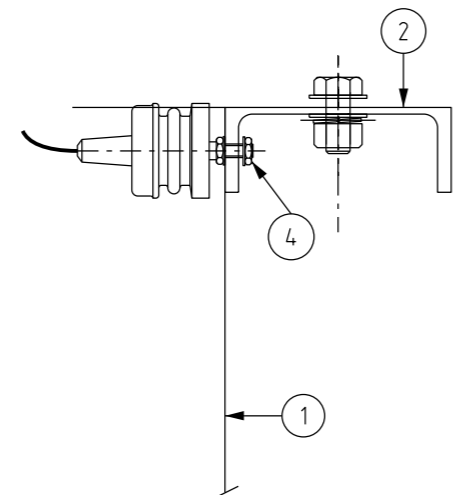
TERMINATION INSTALLATION



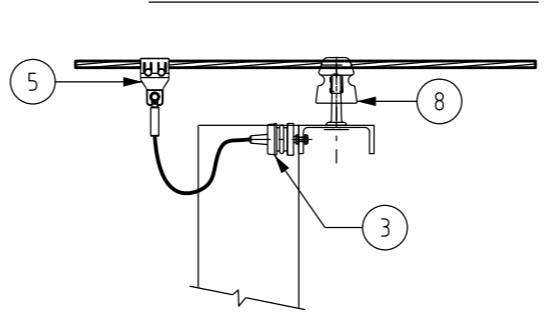
NON M.E.N. INSTALLATION



A SECTION
SCALE 1:15



1 DETAIL
SCALE 1:5



B SECTION
SCALE 1:15

NOTES :

1. THIS ARRANGEMENT IS APPLICABLE TO BOTH 4 WIRE AND 5 WIRE SITUATIONS.
2. LV SURGE DIVERTER TAILS CAN BE TERMINATED ON LV ISOLATING SWITCHES WITH A DOUBLE LUG ARRANGEMENT

ITEM	QTY	DESCRIPTION	ITEM No.	DRG REF
9	3	COPPER CRIMP LUGS	-	S02-01-02-11
8	4	LV PIN INSULATOR ASSEMBLY - TYPE 'LP'	-	S01-02-01-03
7	4	LV SHACKLE ASSEMBLY - TYPE 'ST'	-	S01-02-01-03
6	3	EXISTING CONDUCTOR TAIL	-	-
5	3	CLAMP DISCONNECT TEE	2295	S01-01-04-10
4	3	BOLT M10 x 40 C/W NUT, FL & SPR. WASHER.	114017	-
3	3	LV SURGE DIVERTER	10041	S01-01-04-20
2	1	LV CROSSARM	-	S01-01-02-01
1	-	LINE POLE	-	S01-01-01-02

MATERIAL SCHEDULE

NO	DESCRIPTION	DRN	DATE	CKD	APPD
7	ITEM 5 AMENDED AND ITEM 9 ADDED	C.C.	MAY 21	BC	B.V.
6	UPDATED TO BOLTED ARRANGEMENT	CWM	FEB 20	B.V.	B.C.

AMENDMENTS



DES	B.CHEUNG	POWER STANDARD DRAWING	
DRN	C.McLAREN	POLE TOP UNITS	
CKD	B.CHEUNG	LV SURGE DIVERTER ARRANGEMENT	
APPD	B.CHEUNG	TERMINATION & NON M.E.N. INSTALLATION	
SCALE	1:15/AS SHOWN	A3	DRAWING NUMBER S01-02-02-18
ISSUED	FEB 2020		
ALL DIM. IN mm		CAD PRODUCT - DO NOT AMEND MANUALLY	
DRAFTING STANDARD TO A.S.1100		AMDT	