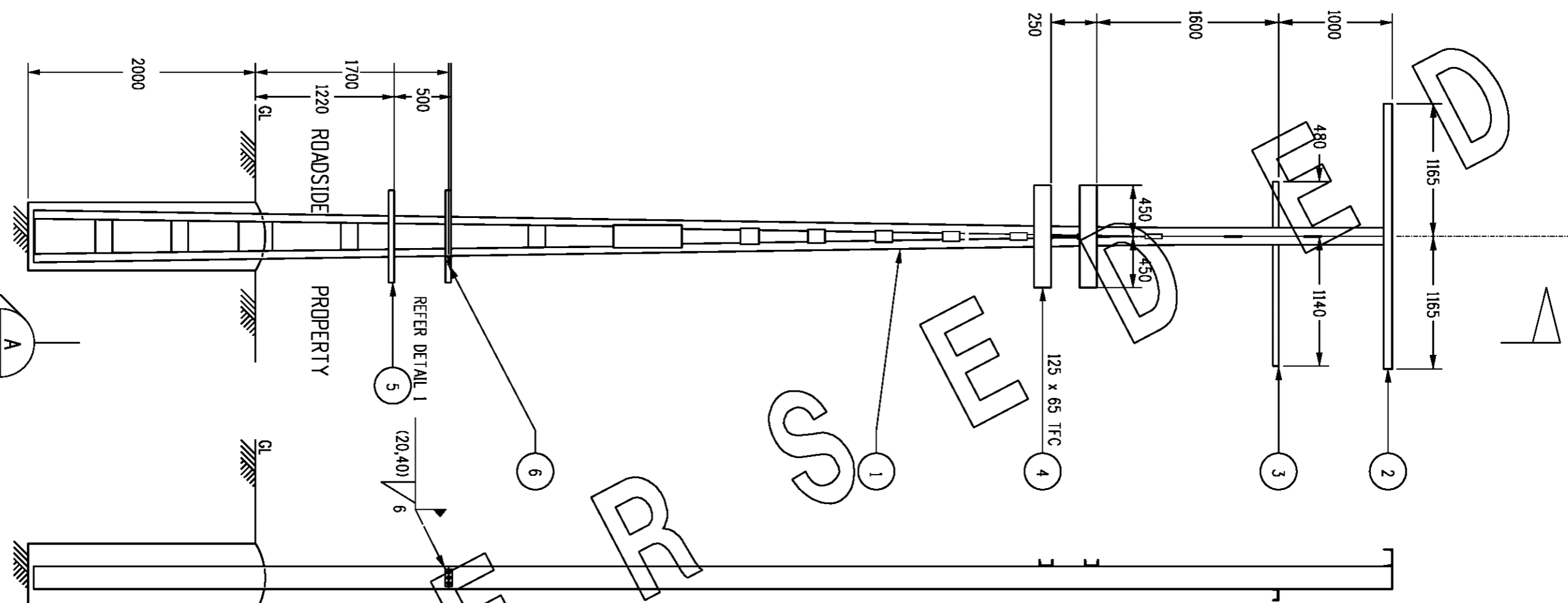
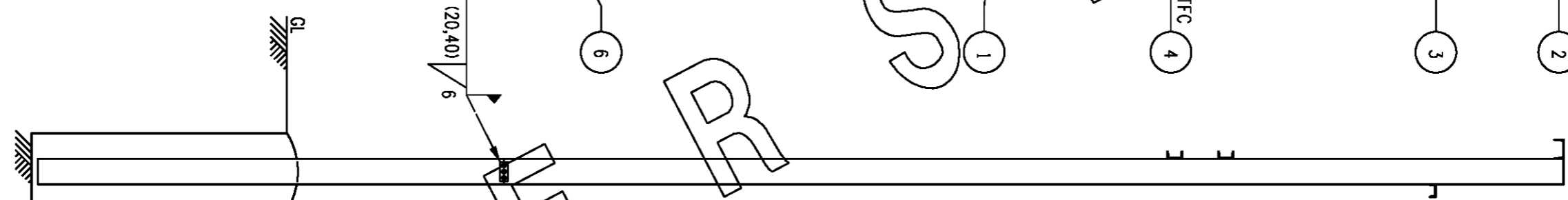


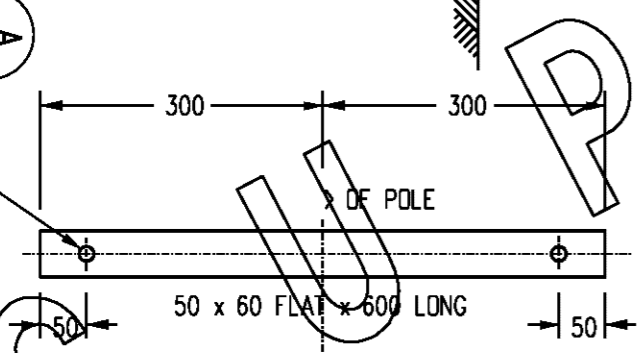
ELEVATION  
Scale 1:40



SECTION  
Scale 1:40



2 HOLES 8 DIA.



BRACKET - METER BOX MOUNTING  
Scale 1:10

**NOTES**

1. ALL CROSSARMS AND LOAD BEARING ATTACHMENTS SHALL BE FIXED TO THE POLE VIA A 6mm FILLET WELD ALL ROUND USING E41XX ELECTRODES UND.
2. EARTH TEST LINK SHALL BE FIXED TO THE POLE BY INTERMITTENT 6mm FILLET WELDS (WELD 20, MISS 40) USING E316L STAINLESS STEEL ELECTRODES.
3. FOR NEW BOLTED POLES TEST LINK NOT REQUIRED SEE S01-02-03-19.

ITEM No	QTY	DESCRIPTION	STOCK CODE	DRG No.
6	1	EARTH TEST LINK	9142	S01-01-05-02
5	2	BRACKET - METER BOX MOUNTING	-	-
4	2	CROSSARM - METERING UNIT MOUNTING	-	-
3	1	CROSSARM - HV METAL OXIDE SURGE DIVERTER	251702	S01-01-02-03
2	1	CROSSARM - HV	-	S01-01-02-02
1	1	LINE POLE - 12B	11148	S01-01-02-02

MATERIAL SCHEDULE

DES	-	POWER STANDARD DRAWING	
DRN	gmck	<b>POLE STRUCTURES HV METERING</b>	
CKD	N.Stubbs	A3	DRAWING NUMBER S01-02-05-09
APPD	B.T.Kent		
SCALE	AS SHOWN	CAD PRODUCT - DO NOT AMMEND MANUALLY	
ISSUED	OCT'92	AMDT	
ALL DIM. IN mm			
DRAFTING STANDARD TO A.S.1100			

NO	DESCRIPTION	DRN	DATE	CKD	APPD
8	SUPERSEDED	A.T.	DEC'12	B.C.	B.C.
7	BRACKET SPACING CHANGED TO 500mm NOTE 3 ADDED.BRACKET REDUCED TO 600long	K.I.	SEP'05	C.C.	C.C.
6	REDRAWN, CROSSARM ARRANGEMENT MODIFIED.	gmck	OCT'92	N.S.	B.T.K.

