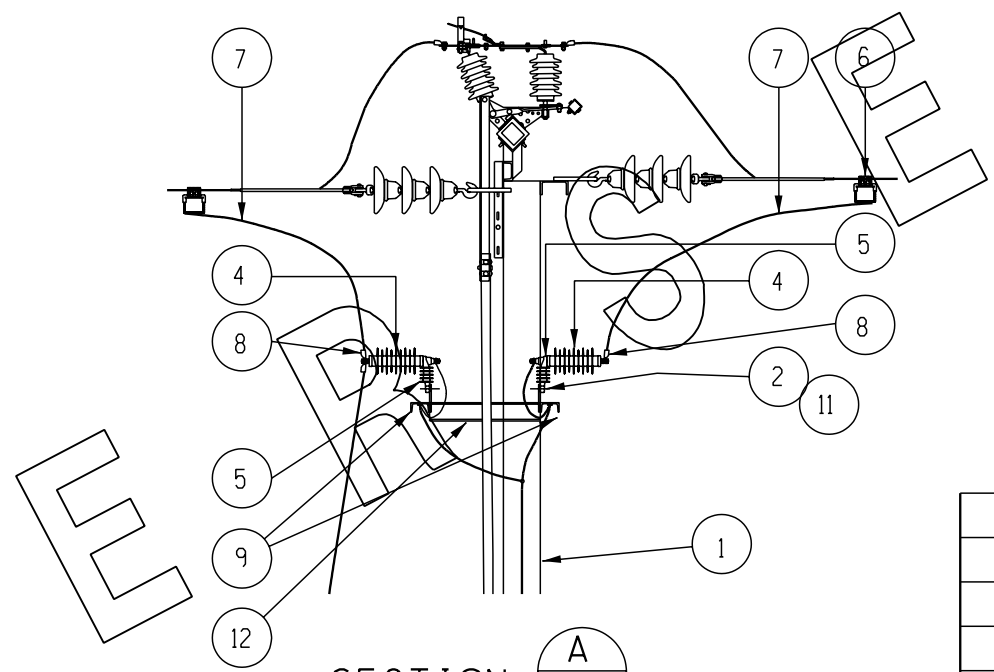


ELEVATION

SCALE 1:40



SECTION

SCALE 1:40

NOTES

1. ALL CROSSARMS AND LOAD BEARING ATTACHMENTS SHALL BE FIXED TO THE POLE VIA A 6mm FILLET WELD ALL ROUND USING E41XX ELECTRODES UNLESS NOTIFIED OTHERWISE.
2. FOR CABLE SIZES UP TO 120 sq.mm CHANGE TO ARRANGEMENT SHOWN IN DWG S01-01-04-33 DETAIL A. FOR LARGER SIZES USE APPROPRIATE COMPRESSION LUG.
3. FOR POLE STRUCTURE DETAILS REFER TO RELEVANT PARTS OF DWG S01-02-05-17.

13	2	OUTDOOR TERMINATION	-	-
12	2	STAND OFF BRACKET	-	S01-02-05-17
11	6	WASHER, FLAT, 12mm.	113944	-
10	7.2 m	BUSBAR - COPPER - 25mm x 3mm	9837	S01-01-05-06
9	2	CROSSARM - SPECIAL	-	S01-02-05-17
8	6	LUG (REFER NOTE 2)	-	-
7	AR	CABLE - 11KV SINGLE CORE PVC	-	S02-01-01-05
6	6	TERMINATION - TYPE 'Cu'	-	S01-02-01-01
5	6	BRACKET - SURGE DIVERTER INSULATING	249466	S01-01-04-19
4	6	SURGE DIVERTER - HV METAL OXIDE	-	S01-01-04-19
3	1	AIR BREAK SWITCH ASSEMBLY	241703	S01-01-06-09
2	6	BOLT & NUT, M12 X 40.	114462	-
1	1	LINE POLE - 12C	11130	S01-01-01-02

TAG No	QTY.	DESCRIPTION	STOCK CODE	DRG REF
--------	------	-------------	------------	---------

MATERIAL SCHEDULE

NO	DESCRIPTION	DRN	DATE	CKD	APPD
1	SUPERSEDED	A.T.	DEC '12	B.C.	B.C.
AMENDMENTS					



DES	S.C.M.	POWER STANDARD DRAWING		
DRN	J.A.L.	POLE TOP UNITS SURGE DIVERTER LOCATIONS HIGH VOLTAGE		
CKD	A.B.			
APPD	F.R.R.			
SCALE	N.T.S			
ISSUED	FEB '97	A3	DRAWING NUMBER	S01-02-02-22
ALL DIM. IN mm				
DRAFTING STANDARD TO A.S.1100		CAD PRODUCT - DO NOT AMEND MANUALLY		

