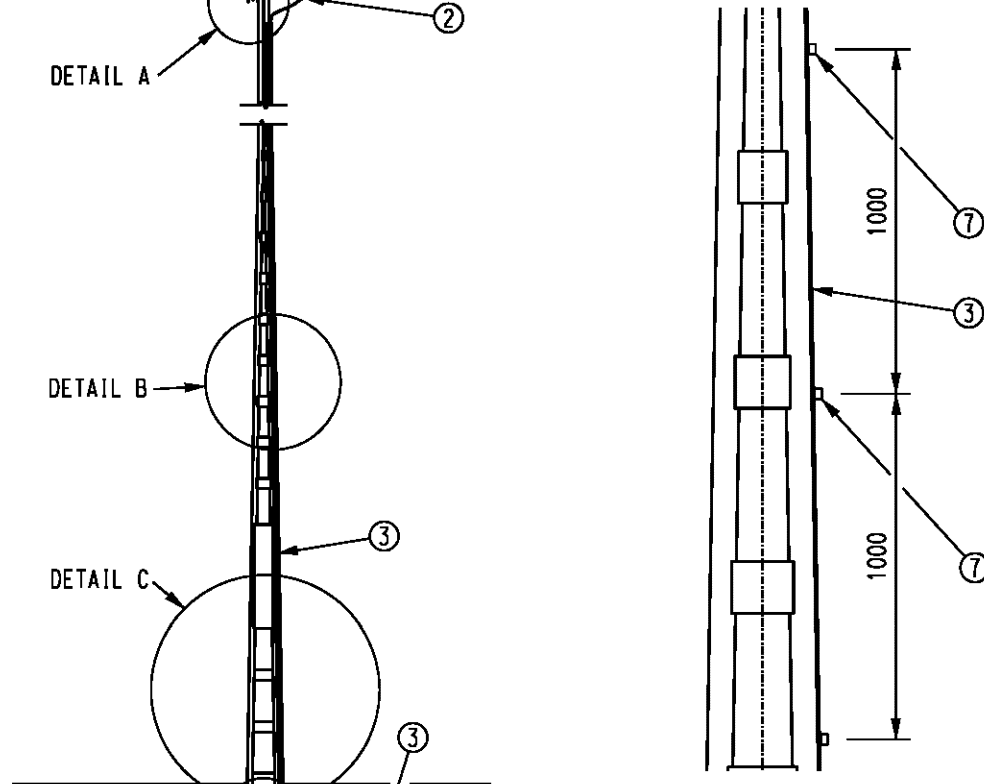
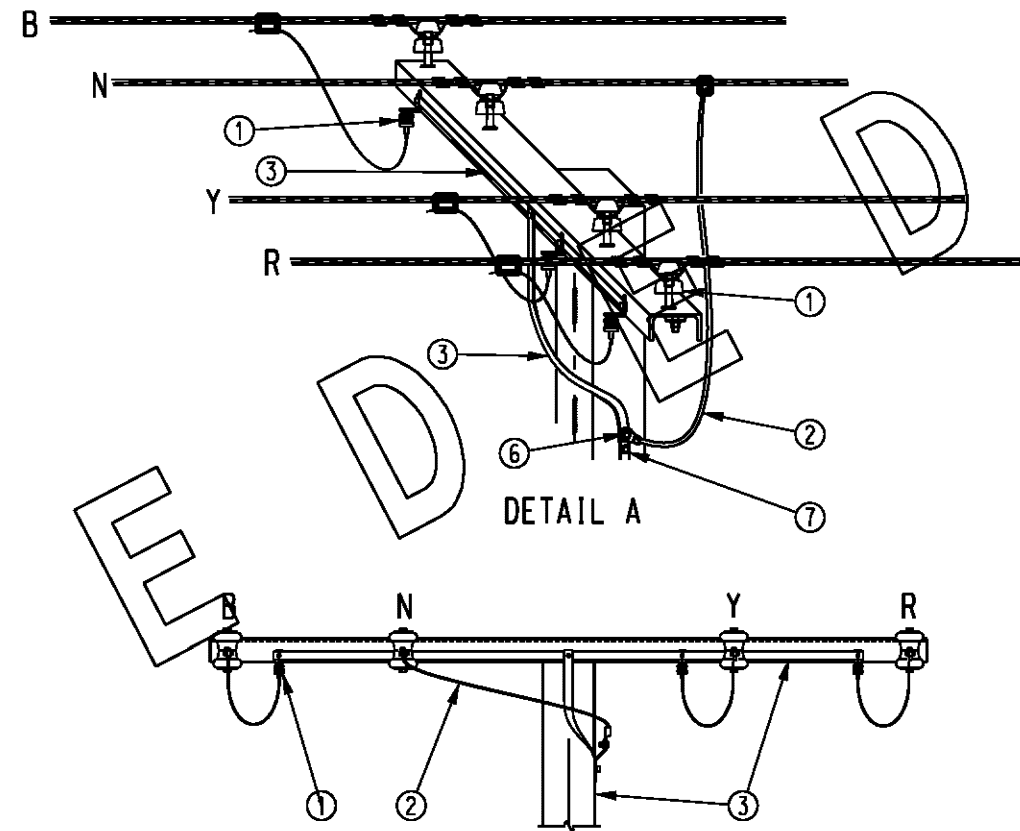


LV NEUTRAL CONDUCTOR

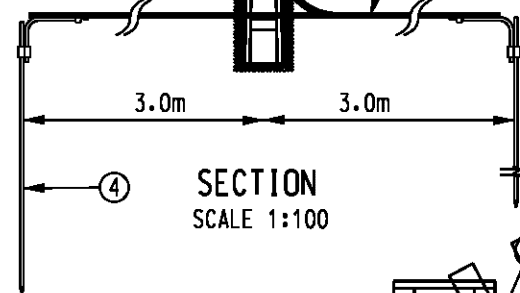


DETAIL B
SCALE 1:20

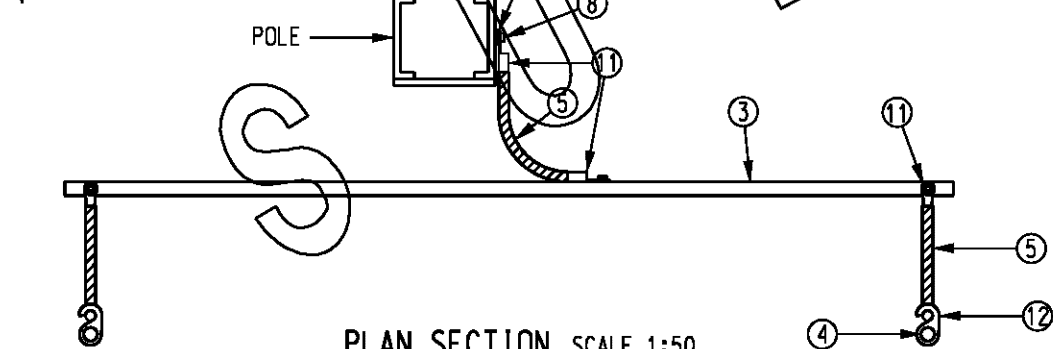
DETAIL C
SCALE 1:20



ALTERNATIVE ASSEMBLY AT TERMINATION
SCALE 1:20



SECTION
SCALE 1:100



PLAN SECTION SCALE 1:50

TAG	QTY	DESCRIPTION	DRG REF	S/CODE
12	2	CONNECTOR EARTHING COMPRESSION	S1-2-3-15	255786
11	4	COPPER COMPRESSION 70sqmm 19/2.14		5512
10	AS REQ	WASHER M10 SPRING		114314
9	AS REQ	WASHER M10 FLAT		113977
8	AS REQ	THREADED POWER FASTENERS	COMMERC	
7	AS REQ	POWER FASTENERS	COMMERC	
6	1	M10 X 25 LONG BOLT C/W NUT		114397
5	3	19/2.14 X 1M CU CONDUCTOR	S1-1-5-5	9803
4	2	EARTH ROD EXTENDABLE SS	S1-1-5-1	230037
3	AS REQ	25 X 3mm COPPER BUS BAR		9837
2	1	NEUTRAL BOND CLAMP	S1-1-4-17	2147
1	3	LOW VOLTAGE LIGHTNING ARRESTOR (DISCONNECT TYPE)	S1-1-1-20	10041
TAG	QTY	DESCRIPTION	DRG REF	S/CODE

NOTE:

- MULTIPLE EARTH NEUTRAL EARTH SHALL BE USED IN THE FOLLOWING APPLICATIONS:
 - AT OPEN POINTS BETWEEN SUBSTATIONS
 - EVERY 500m FROM SUBSTATION ON LV RUNS
 - EVERY 250m FROM SUBSTATION ON LV RUNS WHERE EARTHING CONDITIONS ARE KNOWN TO BE BAD IN CONSUMER INSTALLATIONS.
 - AT THE END OF ALL RADIAL LV RUNS WHICH ARE NOT INTERCONNECTED WITH ANOTHER SUBSTATION.
- LOW VOLTAGE SURGE DIVERTERS ARE TO BE USED IN CONJUNCTION WITH MULTIPLE EARTH NEUTRAL INSTALLATIONS AT LOCATIONS SPECIFIED ON STD DRG NO S01-01-04-20.

NO	DESCRIPTION	DRN	DATE	CKD	APPD
5	SUPERSEDED	A.T.	DEC'12	B.C.	B.C.
4	ITEM 11 Q/LUG CHANGED TO CU COMPRESSION	K.I.	2/05	-	C.C
3	STOCK CODES ADDED, DRG REFS CHANGED, REDRAWN	RGI	5/96	-	F.R.
2	TAG NUMBER ON DRG CORRECTED		6/88		RGE
1	TITLE AND DRG NUMBER CHANGED		3/88		HT

AMENDMENTS

PowerWater
NORTHERN TERRITORY

DES	G. McSHANAG	POWER STANDARD DRAWING	
DRN	R. INNES	LINE HARDWARE SURGE DIVERTER EXPOSED LV MAINS	
CKD	-		
APPD	-		
SCALE	AS SHOWN		
ISSUED	JUL'96		
ALL DIM. IN mm	A3	DRAWING NUMBER	S01-01-04-22
DRAFTING STANDARD TO A.S.1100		CAD PRODUCT - DO NOT AMEND MANUALLY	

