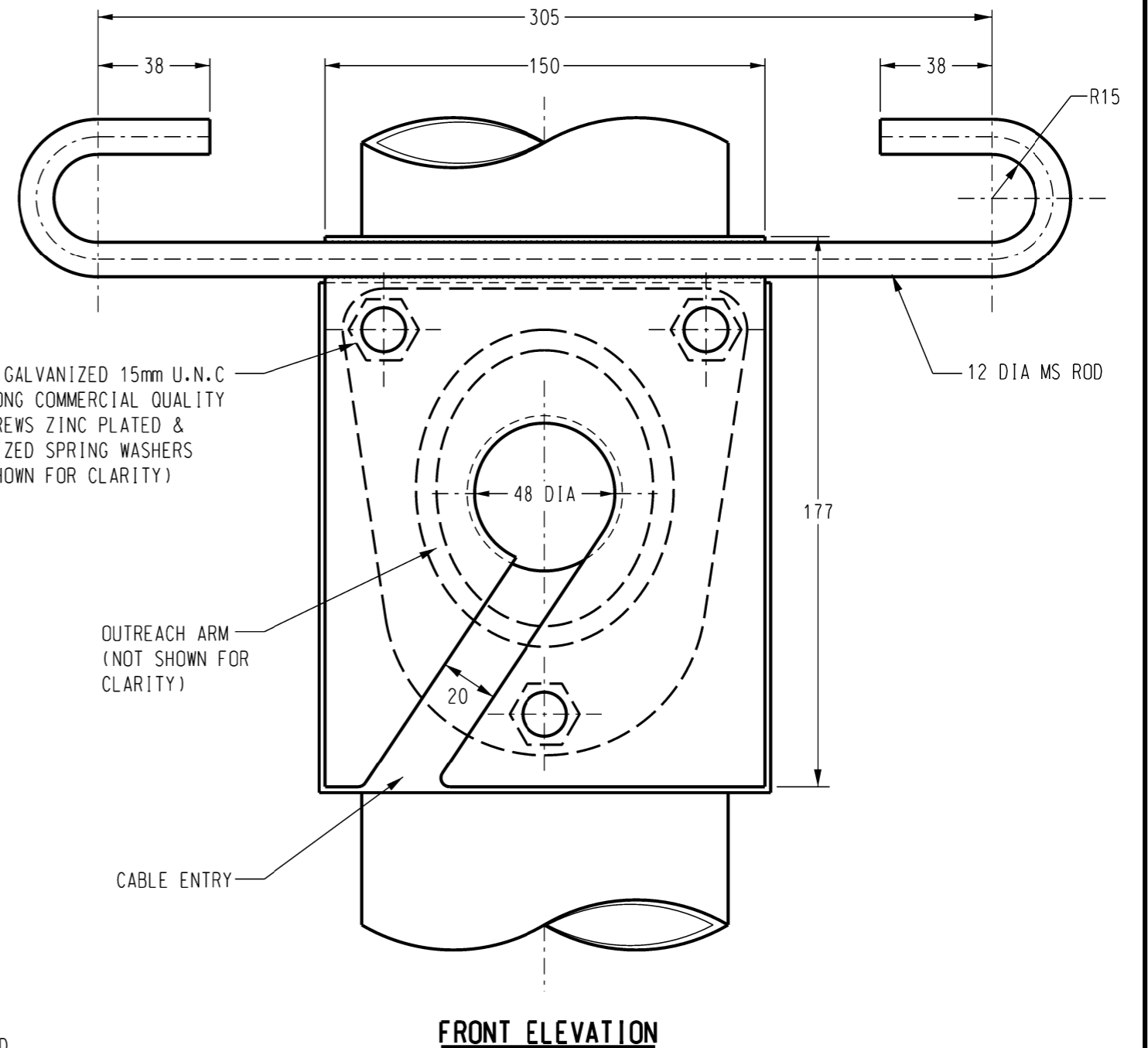
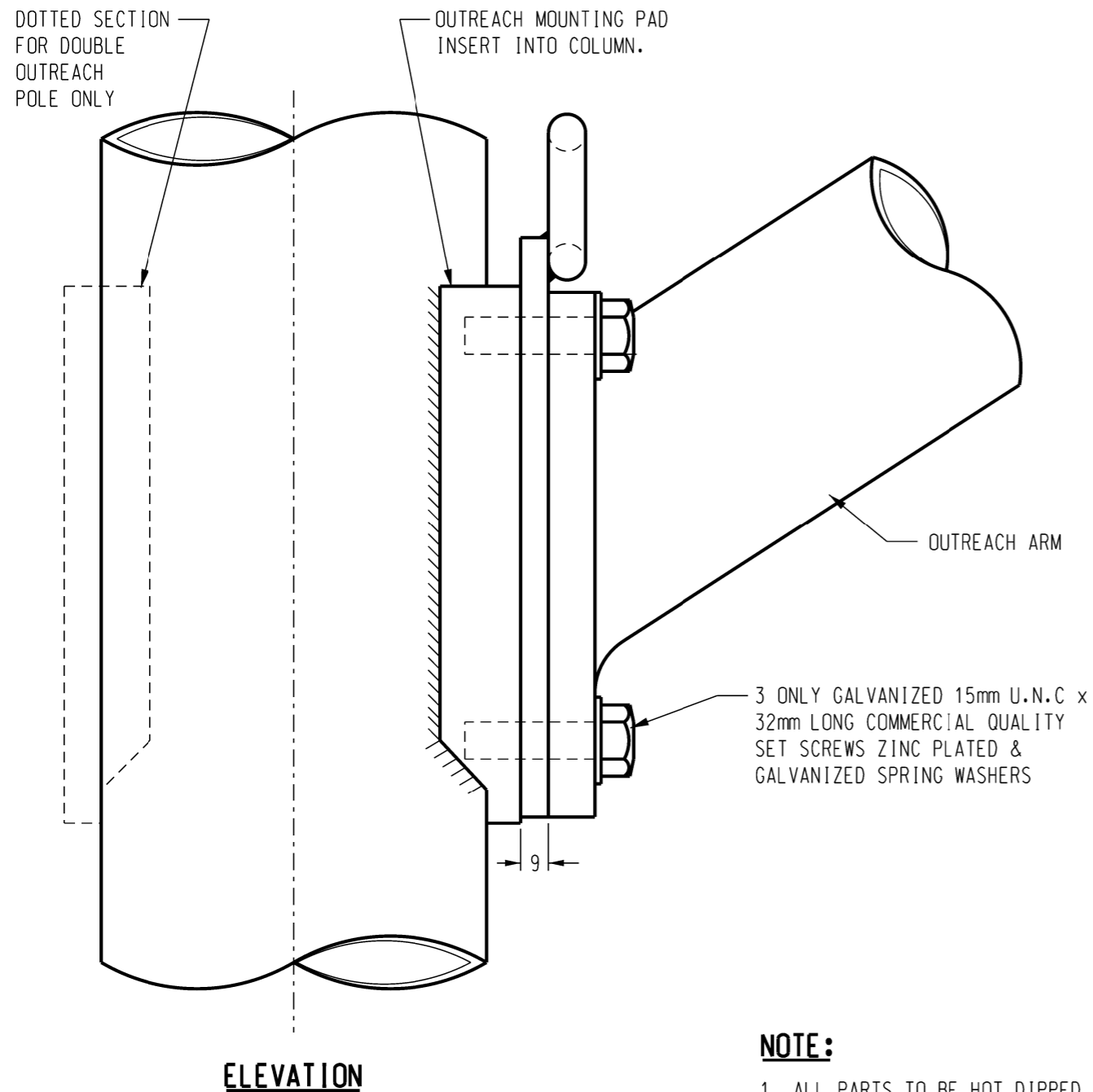


3RD ANGLE -DO NOT SCALE - REPORT ANY ERRORS, OMISSIONS TO DRAFTING OFFICE



- NOTE:**
1. ALL PARTS TO BE HOT DIPPED GALVANIZED
  2. NOT A STOCK ITEM.

4 TITLEBLOCK & DRAWING NUMBER FORMATTED  
 3 REDRAWN ON CAD  
 2 TITLE AND DRAWING NUMBER CHANGED  
 1 NOTE ADDED

K.T.	FEB'19	C.C.	C.C.
A.D	05/98	R.I.	F.R.
-	11/87	-	QLT
-	1/87	-	B.K.



DES	G. McSHANAG	POWER STANDARD DRAWING	
DRN	A. DAVIS	<b>BRACKET TEMPORARY TERMINATION TAPERED OUTREACH</b>	
CKD	R. INNES		
APPD	F. ROBSON		
SCALE	1:2	<b>A3</b>	<b>DRAWING NUMBER S03-01-03-04</b>
ISSUED	MAY'98		
ALL DIM.	IN mm	CAD PRODUCT - DO NOT AMEND MANUALLY	
DRAFTING STANDARD TO A.S.1100		AMDT	

NO	DESCRIPTION	DRN	DATE	CKD	APPD
AMENDMENTS					