

GENERAL DESCRIPTION

- THERE ARE TWO TYPES OF CABLE ROUTE MARKERS IE.
- A) ITEM NUMBER 5066 , AN ENGRAVED ALUMINIUM PLATE WHICH IS MOUNTED ON A CONCRETE PLINTH AS PER DETAIL AND INSTALLED IN AREAS SUBJECT TO GENERAL PUBLIC USE EG. PARKS, FOOTPATHS ETC. REFER TO S02-01-08-04
 - B) ITEM NUMBER 11007 , A SIGN MOUNTED ON A POST FOR USE IN AREAS NOT SUBJECT TO GENERAL PUBLIC USE EG. BUSH, VACANT CROWN LAND ETC. REFER TO S02-01-08-08

LOCATING ROUTE MARKERS

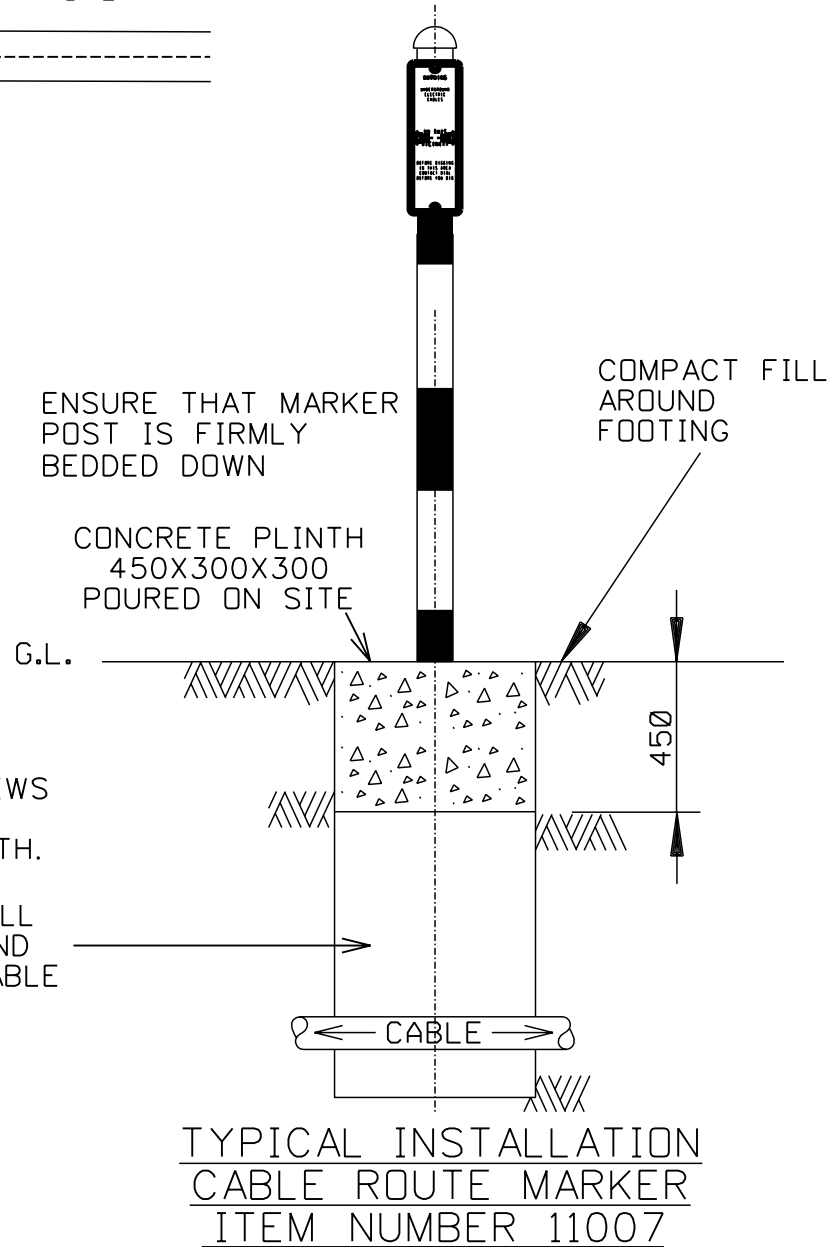
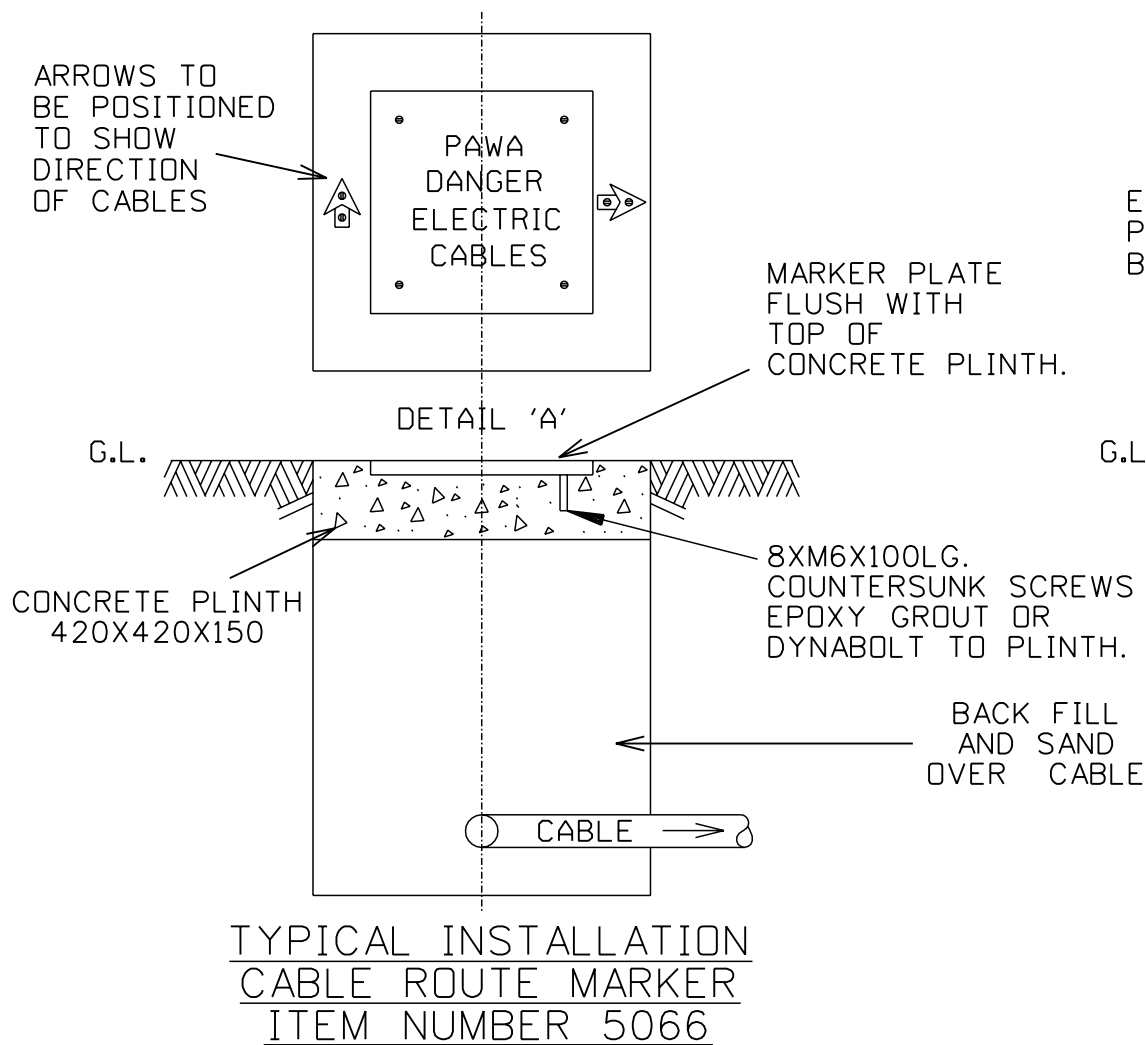
- CABLE ROUTE MARKERS ARE TO BE LOCATED IN THE FOLLOWING POSITIONS, DIRECTLY ABOVE CABLE.
1. AT EACH CHANGE OF CABLE ROUTE DIRECTION.
 - 2A EVERY 30M ON STRAIGHT RUNS WHEN USING ITEM NUMBER 5066
 - 2B EVERY 250M ON STRAIGHT RUNS WHEN USING ITEM NUMBER 11007
 3. ROAD CROSSINGS, USE ITEM NUMBER 5066, BEHIND THE KERB ON EACH SIDE OF THE ROAD, ALSO IN MEDIAN STRIP WHERE APPLICABLE.
 4. OTHER LOCATIONS WHERE CABLE ROUTE IS NOT OBVIOUS, OR AS DIRECTED BY THE CABLE SUPERVISOR.
 5. NOT IN ROADWAYS.

INSTALLATION OF ROUTE MARKERS

MARKERS ARE TO BE INSTALLED AS PER DETAILS, UNDER THE DIRECTION OF THE CABLE SUPERVISOR.

NOTE

THIS SYSTEM IS NOT FOR USE IN DESIGNATED U.R.D. AREAS.



NO	DESCRIPTION	DRN	DATE	CKD	APPD
10	TITLEBLOCK & DRAWING NUMBER FORMATTED	K.T.	FEB'19	C.C.	C.C.
9	REDRAWN ON CAD, DRAWING REFERENCES ADDED	CWM	SEP'12	A.T.	S.C.
8	MARKER DETAILS AMENDED	J.C.	NOV'08	B.C.	S.C.
AMENDMENTS					



DES	A.Taylor	POWER STANDARD DRAWING		
DRN	C.W.McLaren	CIVIL CABLE ROUTE MARKERS		
CKD	A.Taylor			
APPD	...			
SCALE	N.T.S.			
ISSUED	09/2012	A3	DRAWING NUMBER	S02-02-06-16
ALL DIM.	IN mm			
DRAFTING STANDARD TO A.S.1100		CAD PRODUCT - DO NOT AMEND MANUALLY		AMDT