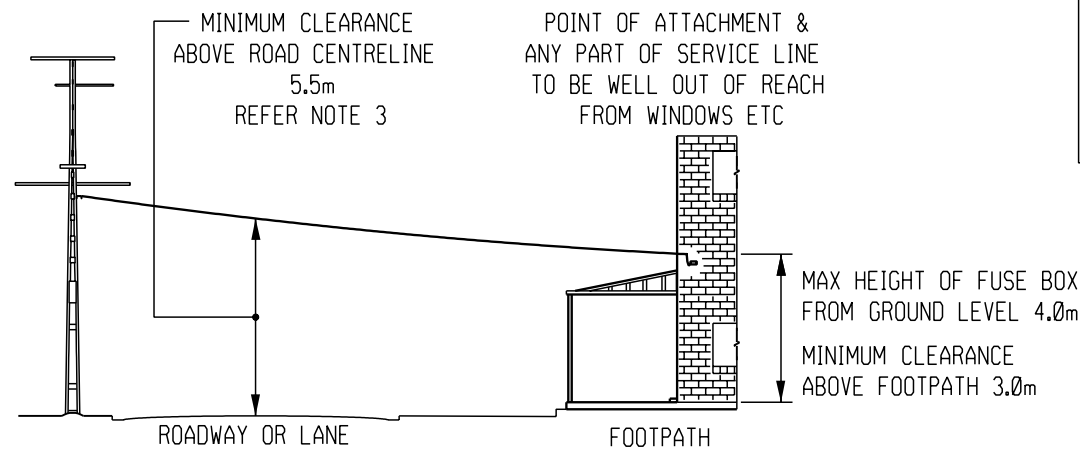
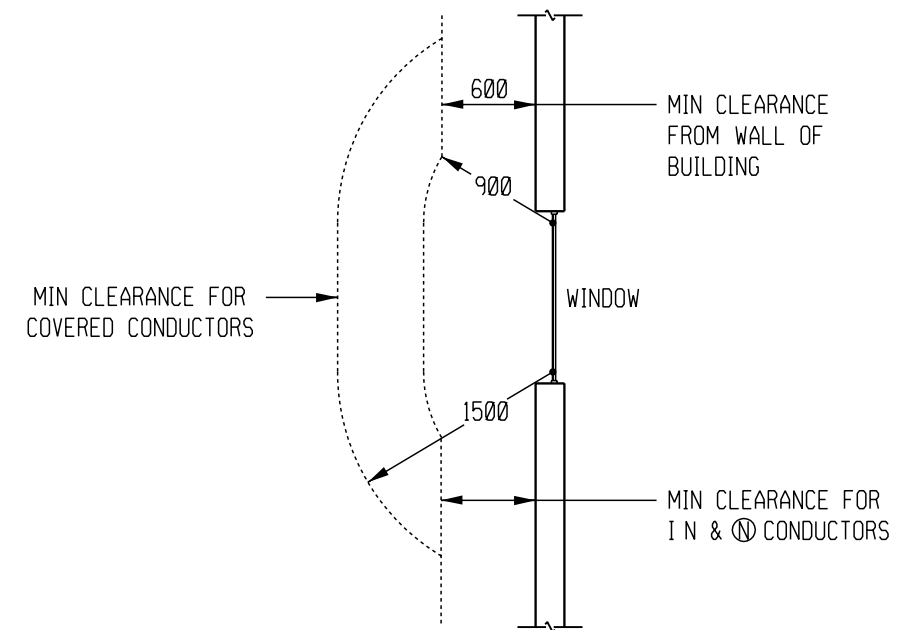


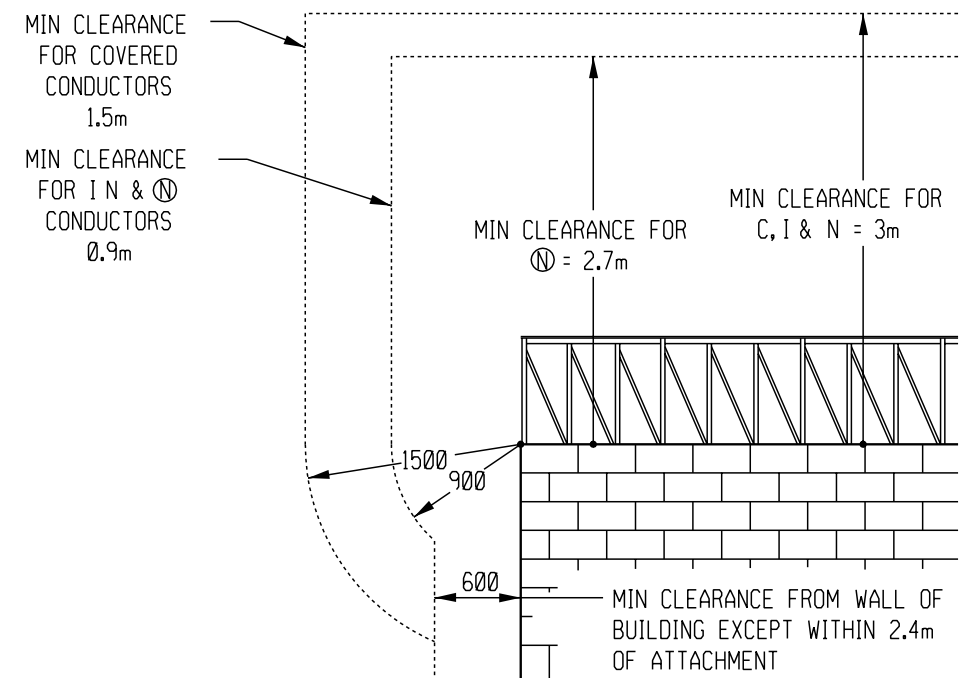
CONDITIONS FOR LINES PASSING WINDOWS



COVER DESIGNATIONS

C	COVERED CONDUCTOR
I	INSULATED CONDUCTOR
N	NUETRAL CONDUCTOR
N	NUETRAL SCREENED CABLE

CONDITIONS FOR LINES PASSING UNROOFED BALCONIES



NOTES:

- CLEARANCES SHOWN ARE THE MINIMUM REQUIREMENTS AT THE WORST CONDITIONS OF TEMPERATURE AND CONDUCTOR SWING. SPECIAL CONSIDERATION SHOULD BE GIVEN TO CLEARANCES OVER DRIVEWAYS FOR HEAVY VEHICLES.
- THIS DRAWING SHOULD BE READ IN CONJUNCTION WITH CODE OF PRACTICE FOR OVERHEAD LINE CONSTRUCTION (E.S.A.A. C(b))
- MINIMUM CLEARANCE OVER MINOR HIGHWAYS IS 6.3 m. MAJOR HIGHWAY CROSSINGS TO BE UNDER GROUND

5	TITLEBLOCK & DRAWING NUMBER FORMATTED	K.T.	APR'19	C.C.	C.C.
4	NOTE 3 UPDATED	C.C.	NOV'11	A.T.	S.C.
NO	DESCRIPTION	DRN	DATE	CKD	APPD
AMENDMENTS					



DES	-	POWER STANDARD DRAWING		
DRN	R. INNES	DESIGN DATA CLEARANCES LV OVERHEAD - SERVICE LINES		
CKD	M. BOCK			
APPD	F. ROBSON			
SCALE	NO SCALE			
ISSUED	APR'01	A3	DRAWING NUMBER	S01-04-01-01
ALL DIM.	IN mm			
DRAFTING STANDARD TO A.S.1100		CAD PRODUCT - DO NOT AMEND MANUALLY		AMDT