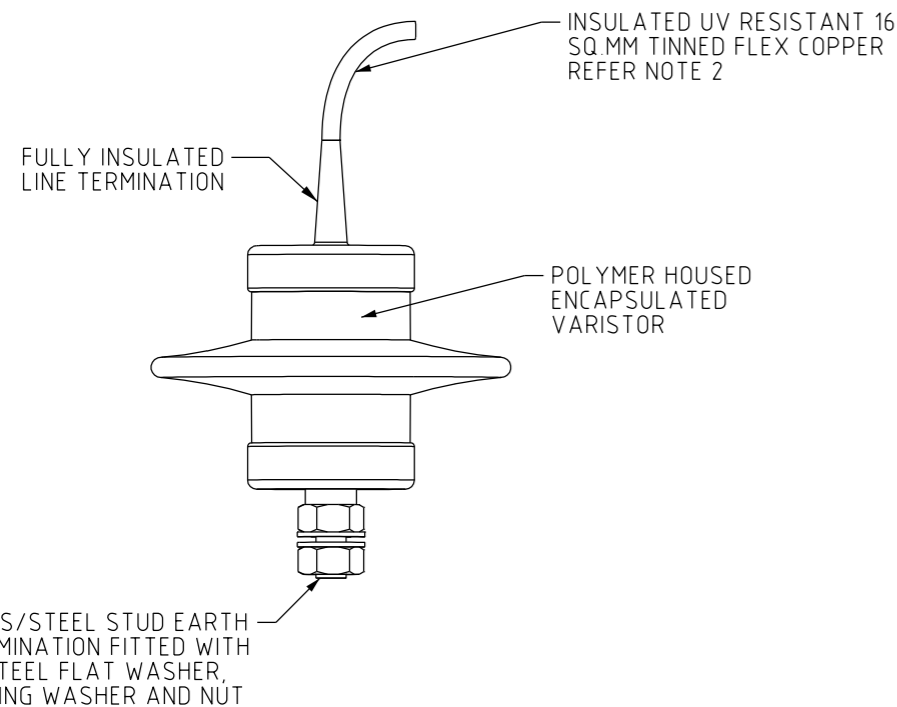


ITEM 1 - LV SURGE DIVERTER

SCALE N.T.S.

ITEM 1 CHARACTERISTICS

ITEM	NO LONGER AVAILABLE	1	
ITEM NUMBER		10041	
SURGE DIVERTER TYPE		LV	
NOMINAL DISCHARGE CURRENT		2.5kVA	
SPARK OVER VOLTAGE FOR IMPULSE WITH	MINIMUM POWER FREQUENCY LV R.M.S.	0.8	
	1.2/50 WAVE FORM MAX. kV CREST	2.0	
	FRONT OF WAVE MAX. kV CREST	2.2	
MAXIMUM DISCHARGE VOLTAGE WITH 8/20us CURRENT WAVE	MAXIMUM kV CREST	AT 2.5KVA	1.8
		AT 5kVA	2
		AT 10kVA	2.65



ITEM 2 - LV SURGE DIVERTER

SCALE N.T.S.

ITEM NUMBER: 10041

ITEM 2 CHARACTERISTICS

LV SURGE ARRESTER PROTECTIVE CHARACTERISTICS		
RATED VOLTAGE (Ur)	CONTINUOUS OPERATING VOLTAGE (Uc)	5kA RESIDUAL VOLTAGE (1/10us FRONT)
Vrms	Vrms	V
500	400	2600

- POLYMER HOUSED FULLY ENCAPSULATED VARISTOR
- WITHSTAND CAPACITY 65kA 4/10 AND 150/2000 micro seconds
- FAILURE MODE TESTED TO 40kA rms
- 5000A, 500V DISTRIBUTION CLASS TO AS 1307.2, 1996 OR IEC 60099-4

NOTES:

1. SURGE DIVERTER TO COMPLY WITH AS 1307.
2. LINE TERMINATION TAIL TO BE 1200mm LONG.
3. EXPOSED (AS USED IN APPLICATION NOTES) MEANS BARE LV CONDUCTORS OR AERIAL BUNDLED CABLES WITHOUT HV CONDUCTORS ABOVE.
4. REFER TO STSP 01-017 FOR MORE DETAILS

APPLICATION

1. AT ALL POLE SUBSTATIONS.
2. AT EXPOSED LV OPEN POINTS BETWEEN SUBSTATIONS IN CONJUNCTION WITH AN M.E.N. INSTALLATION.
3. AT ENDS OF EXPOSED RADIAL LV RUNS IN CONJUNCTION WITH AN M.E.N. INSTALLATION.

NO	DESCRIPTION	DRN	DATE	CKD	APPD
6	ADDED NOTE 4. REMOVED APPLICATION NOTE 4. UPDATED ITEM 2 CHARACTERISTICS AND DESCRIPTION.	A.N.	JUN'21	C.C.C.	B.C.
5	UPDATED DRAWING FRAME & ITEM 1 SUPERSEDED TO ITEM 2.	C.C.	SEP'19	B.C.	B.C.
4	REDRAWN ON CAD, ITEM 2 ADDED, PWC LOGO CHANGED.	K.I.	MAY'05	R.C.	C.C.
3	REDRAWN ON CAD.	A.D.	MAY'98	R.I.	F.R.
2	MOUNTING BRACKET REMOVED. NOTE 3 ADDED. APPLICATION NOTES REVISED.	gmck	MAY'91	-	N.S.
1	LINE TERMINATION TAIL NOW 1200mm LONG.	H.T.	NOV'88	-	G.S.



DES		POWER STANDARD DRAWING	
B.T.KENT		LINE HARDWARE SURGE DIVERTER LOW VOLTAGE	
A.DAVIS		A3	DRAWING NUMBER S01-01-04-20
R.INNES			
F.ROBSON			
AS SHOWN			
MAY 1998			
ALL DIM. IN mm			
DRAFTING STANDARD TO A.S.1100		CAD PRODUCT - DO NOT AMEND MANUALLY	

