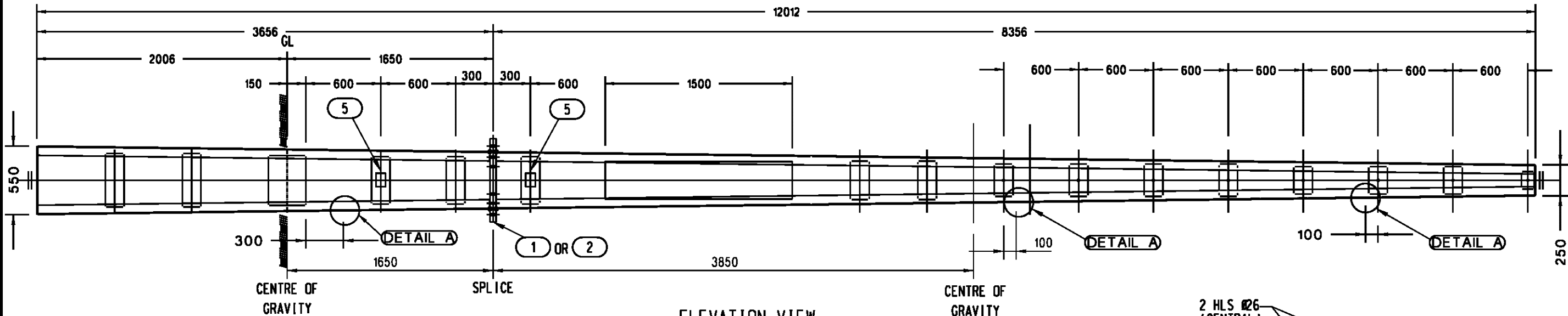


TWO PIECE SPLICED POLE 12.0B - ITEM NUMBER : 503620

TOTAL MASS 12.0B - TOP - 434Kg
 TOTAL MASS 12.0B - BOTTOM - 202Kg

TWO PIECE SPLICED POLE 12.0C - ITEM NUMBER : 503628

TOTAL MASS 12.0C - TOP - 544Kg
 TOTAL MASS 12.0C - BOTTOM - 254Kg

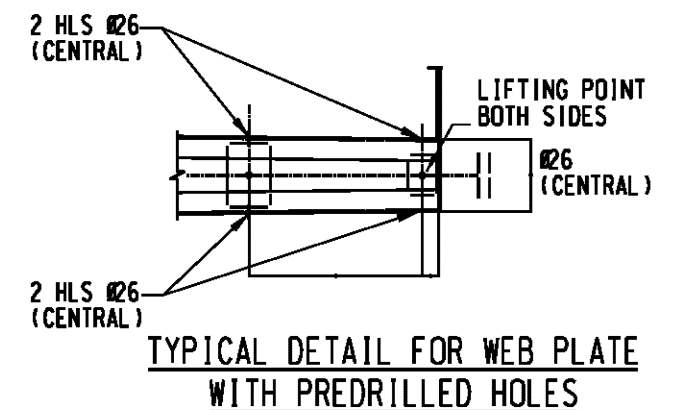
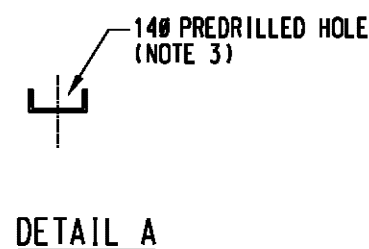
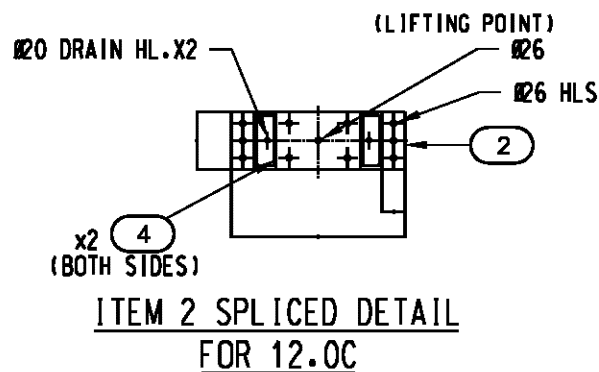
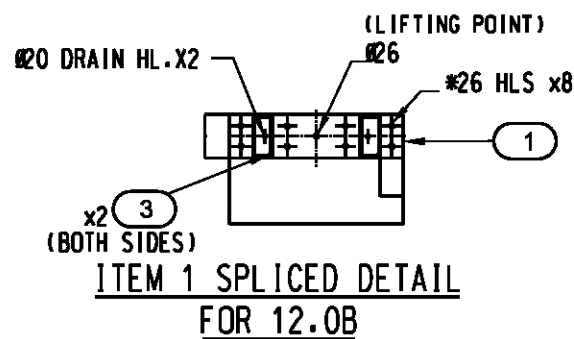


ELEVATION VIEW

NOT TO SCALE

- XXX - FABRICATOR'S NAME
- 01 - 15 - MONTH AND YEAR OF FABRICATION
- 12B - POLE SIZE
- 1001B - UNIQUE SECTION IDENTIFIER SEQUENCE (#####T OR #####B)
- 202 KG - SECTION'S TIER WEIGHT

ITEM 5 POLE DATA PLATE DETAILS



NOTES:

1. CENTRE OF GRAVITY / LIFTING POINT SHALL BE MARKED ON EACH SECTION.
2. TWO PIECE SPLICED POLE IS NOT THE PREFERRED OPTION FOR GREENFIELD SITES.
3. 14mm PREDRILLED HOLE FOR EARTH BOND AND NEUTRAL BOND TERMINATION.
4. REFER TO S01-02-01-69 FOR INSTALLATION DETAILS.
5. APPLICATION OF THIS POLE IS RESTRICTED FOR INTERNAL POWER NETWORKS USE ONLY. FOR OTHER APPLICATIONS AND APPROVALS, CONTACT POWER NETWORKS STANDARDS.

ITEM	QTY. 12.0B	QTY. 12.0C	MATERIAL DESCRIPTION
1	2	-	609 x 150 x 25 FMS. FLANGE PLT. 26 DIA HOLES
2	-	2	609 x 200 x 25 FMS. FLANGE PLT. 26 DIA HOLES
3	4	-	128 x 200 x 8 FMS. STIFFENER PLT.
4	-	4	174 x 200 x 8 FMS. STIFFENER PLT.
5	2	2	POLE DATA NAMEPLATE

1	TITLEBLOCK & DRAWING NUMBERS FORMATTED	K.T.	DEC '18	C.C.	C.C.
0	ISSUED FOR CONSTRUCTION	J.NOY	FEB '16	A.TAY	I.BAS
NO	DESCRIPTION	DRN	DATE	CKD	APPD
AMENDMENTS					



DES	J.NOYNAY	POWER STANDARD DRAWING			
DRN	A.TAYLOR	TWO PIECE SPLICED POLE			
CKD	I.BASHIR	LINE 12.0B AND 12.0C			
APPD	AS SHOWN	BOLTED CONNECTIONS TYPE			
SCALE	FEB '16	A3	DRAWING NUMBER	S01-01-01-33	
ISSUED	mm			DRAWING NUMBER	
ALL DIM.	IN mm	DRAWING NUMBER		S01-01-01-33	
DRAFTING STANDARD TO A.S.1100			CAD PRODUCT - DO NOT AMEND MANUALLY		

