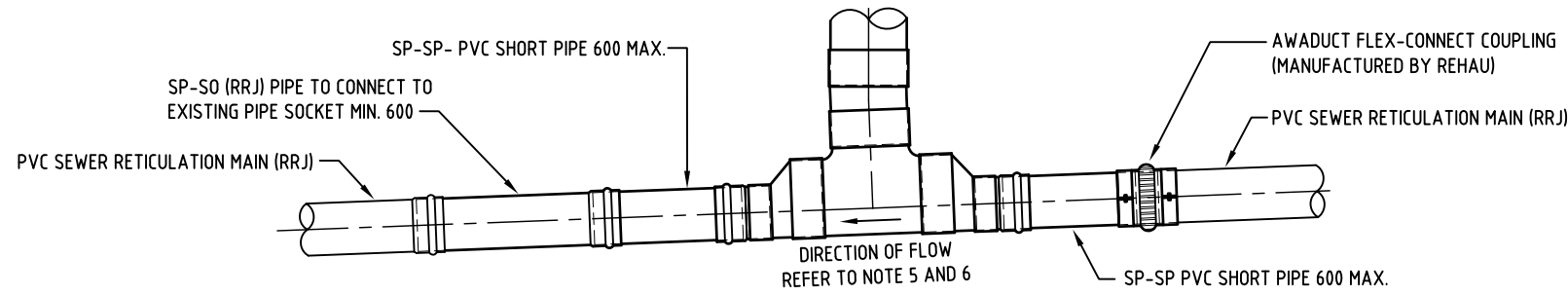
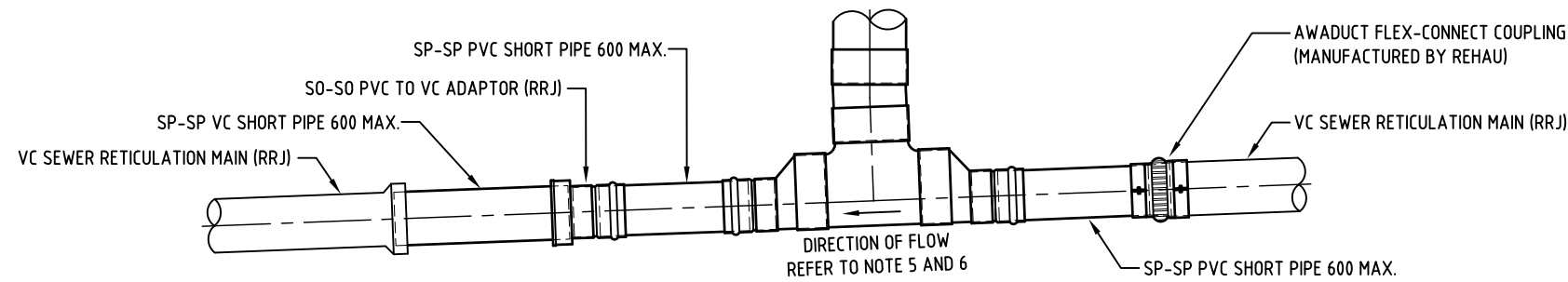


DETAIL A
CONNECTION TO PVC PIPELINE SYSTEM



DETAIL B
RETROFIT CONNECTION TO EXISTING PVC PIPELINE SYSTEM



DETAIL C
RETROFIT CONNECTION TO EXISTING VC PIPELINE SYSTEM

NOTES:

1. THIS DRAWING DEPICTS THE MAINTENANCE SHAFT CONSTRUCTED IN PVC. OTHER APPROVED MATERIALS ARE PERMITTED.
2. REFER TO STANDARD DRAWING W2-2-07 FOR CONSTRUCTION DETAILS FOR MAINTENANCE SHAFTS, INCLUDING ACCESS COVER AND SURROUND DETAILS.
3. USE ONLY THE MANUFACTURER'S PRODUCTS SHOWN APPROVED IN THE PVC PRODUCTS MANUAL.
4. MAINTENANCE SHAFT RISER CAN BE DN225 OR DN300.
5. MINIMUM DROP ACROSS IN-LINE MAINTENANCE SHAFT CHAMBER IS 30mm. FOR ELBOW MAINTENANCE SHAFT CHAMBERS, MINIMUM DROP FROM INLET TO CENTRE OF CHAMBER IS 20mm AND FROM CENTRE OF CHAMBER TO OUTLET IS 20mm.
6. AT CHANGES OF SEWER GRADE, LAY MAINTENANCE SHAFT CHAMBER AT THE LESSER OF THE TWO SEWER GRADIENTS PROVIDED THAT THE REQUIREMENTS OF NOTE 5 ARE SATISFIED.

2	GENERAL AMENDMENTS 2018.	P.W.	SEPT' 18	LL.	D.C.
1	NOTES 5 AND 6 ADDED.	RGI	MAR' 07	R.J.	J.P.
NO	DESCRIPTION	DRN	DATE	CKD	APPD
	AMENDMENTS				



DES	PS / NM	SEWERAGE STANDARD DRAWING	
DRN	AG	SEWER MAINS	
CHK	N McC	MAINTENANCE SHAFT	
APPD	N McC	PIPELINE CONNECTION DETAILS	
SCALE	N.T.S.	A3	DRAWING NUMBER
ISSUED	MAY' 01		W2-2-08
ALL DIM. IN mm			2
DRAFTING STANDARD TO A.S.1100		CAD PRODUCT - DO NOT AMEND MANUALLY	
		AMDT	