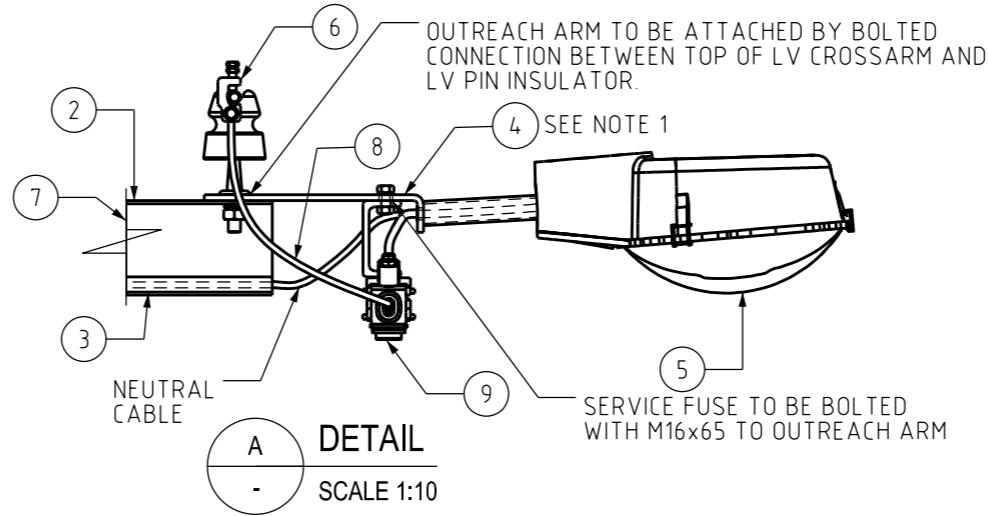
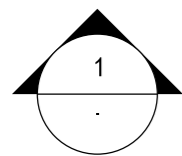


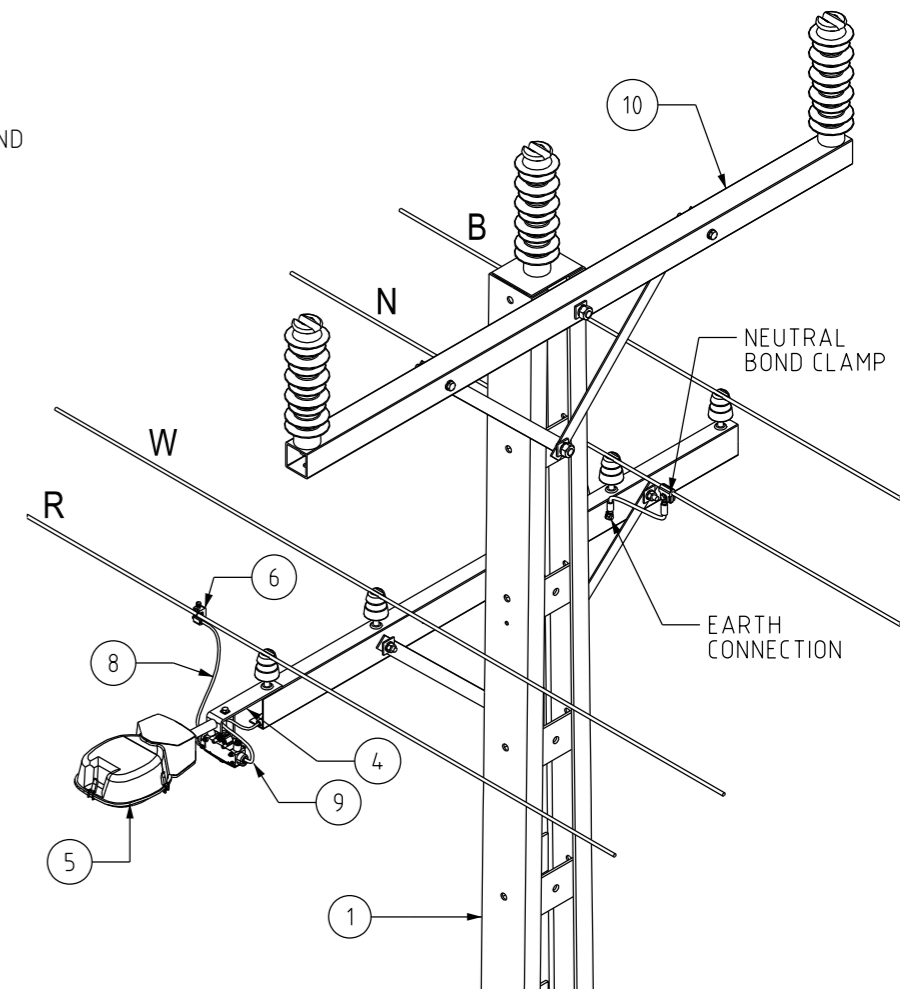
PLAN VIEW

SCALE 1:25



DETAIL

SCALE 1:10

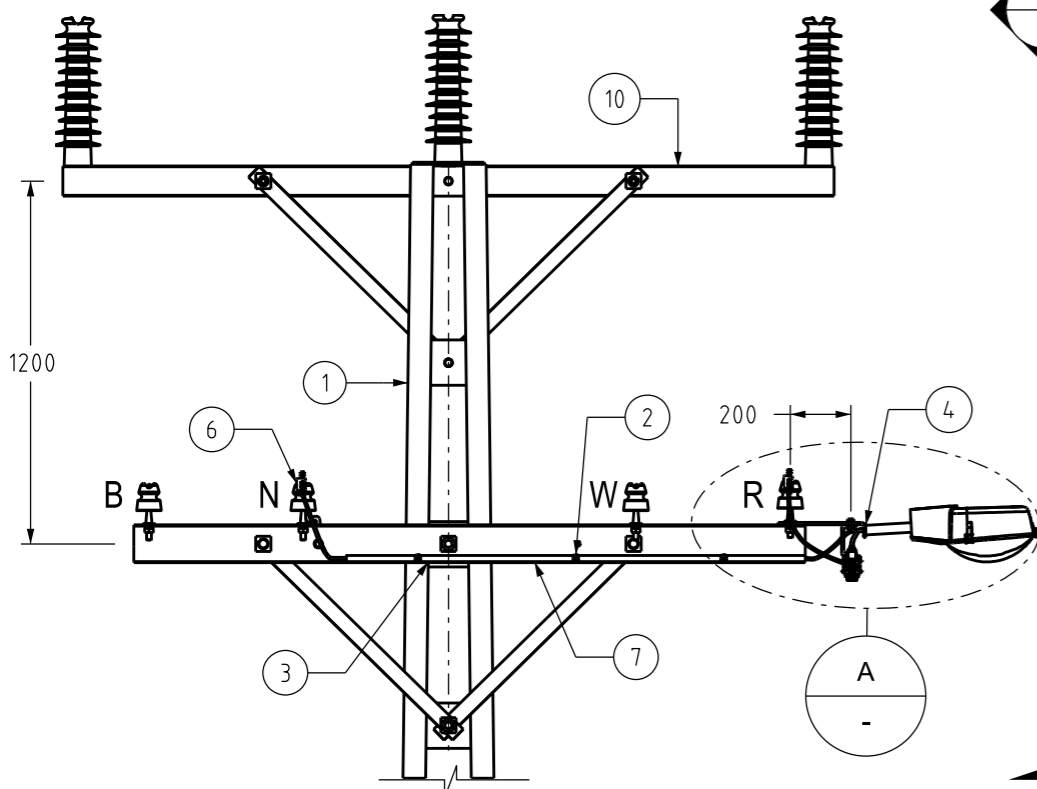


ISOMETRIC VIEW

SCALE 1:25

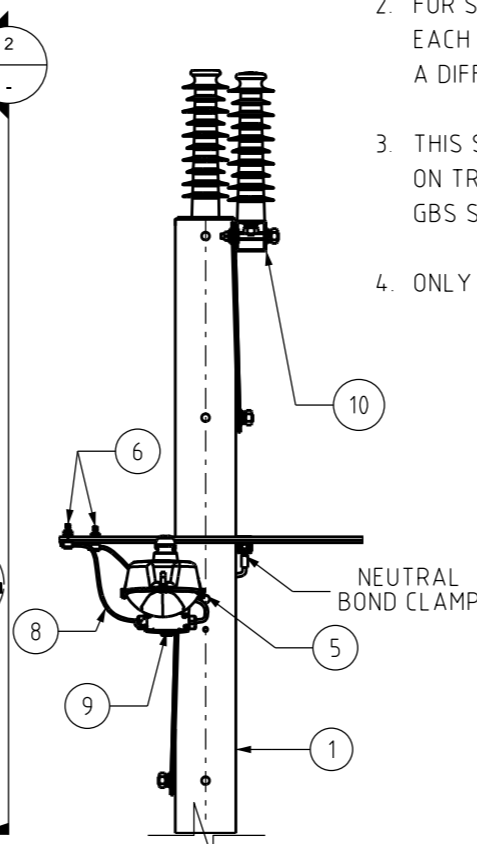
NOTES:

1. FOR LUMINAIRES > 5KG USE LUMINAIRE OUTREACH ITEM 288803 DWG S03-01-03-02.
2. FOR SYSTEMS WITH 10 OR MORE LUMINAIRES EACH SEQUENTIAL LUMINAIRES SHALL USE A DIFFERENT PHASE FOR SUPPLY
3. THIS STREETLIGHT ATTACHMENT IS NOT TO BE USED ON TRANSFORMER, CABLE TERMINATION, ABS AND GBS STRUCTURES.
4. ONLY PWC APPROVED LUMINAIRES TO BE INSTALLED.



FRONT ELEVATION

SCALE 1:25



SIDE ELEVATION

SCALE 1:25

ITEM	DESCRIPTION	ITEM NUMBER	DGN REF
10	HV CROSSARM	-	S01-01-02-10
9	100A FUSE ASSEMBLY	241109	S01-01-04-49
8	TWIN CORE 6mm LV ABC	502896	S01-01-07-03
7	LV LINE CROSSARM 4 WIRE	298562	S01-01-02-11
6	SERVICE CLAMP	502127	S01-01-04-48
5	LUMINAIRE WITH PE CELL	-	-
4	LUMINAIRE OUTREACH	288803	S03-01-03-10
3	20mm GREY PVC CONDUIT	4036	-
2	SADDLE CONDUIT CLIPS 20mm GALV. STEEL	503764	-
1	LINE POLE	-	-

MATERIAL SCHEDULE

NO	DESCRIPTION	DRN	DATE	CKD	APPD
3	AMENDED NOTE 1. NOTE 3 & 4 ADDED	C.C.	APR'22	B.V.	B.C.
2	UPDATED ITEMS 2, 3, 9 & M16 BOLT LENGTH.	A.N.	JUN'21	A.N.	B.C.
1	CONDUIT SIZE INCREASED & NEUTRAL CABLE AMENDED	C.C.	NOV'20	B.V.	B.C.
0	ISSUED FOR CONSTRUCTION	C.C.	SEP'19	B.C.	B.C.

AMENDMENTS



DES		POWER STANDARD DRAWING	
DRN	C.COPPINS	ASSEMBLIES - BOLTED CONNECTION STREETLIGHT WITH PE CELL ON OPEN WIRE 4 SYSTEMS	
CKD	B.CHEUNG		
APPD	B.CHEUNG		
SCALE	AS SHOWN		
ISSUED	SEPTEMBER 2019	A3	DRAWING NUMBER S01-02-01-73
ALL DIM. IN mm			
DRAFTING STANDARD TO A.S.1100		CAD PRODUCT - DO NOT AMEND MANUALLY	

