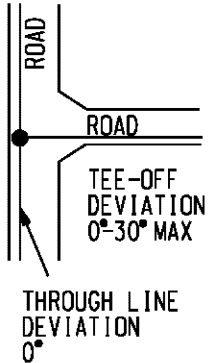
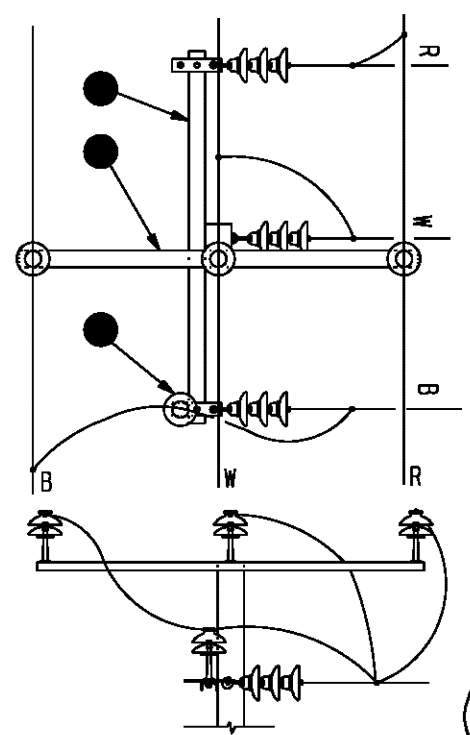
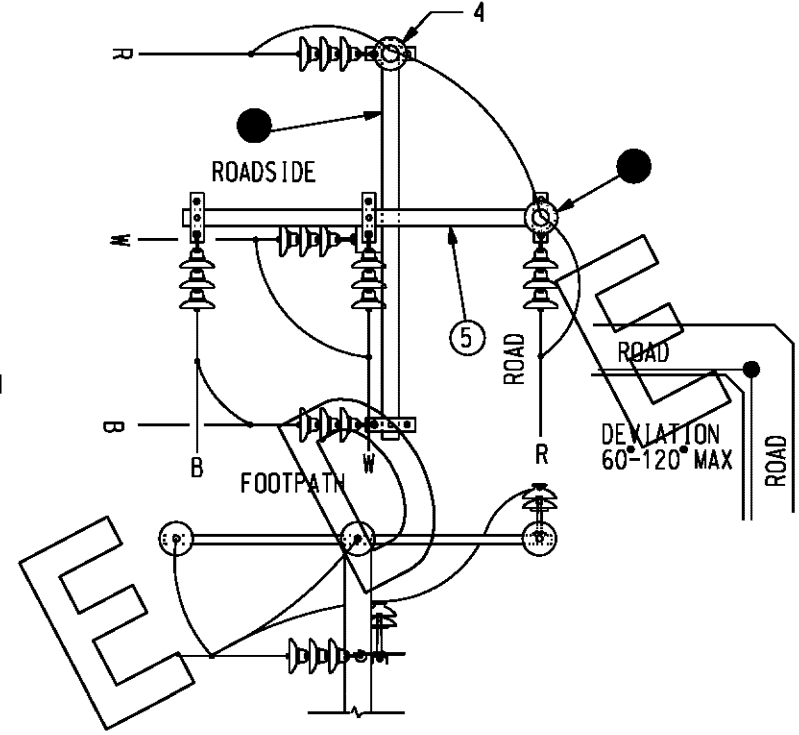


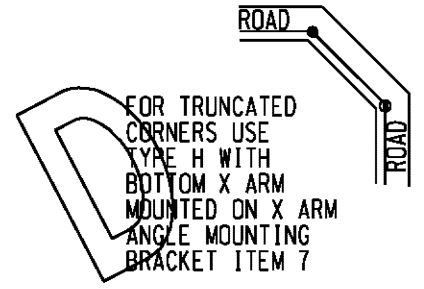
TYPE F



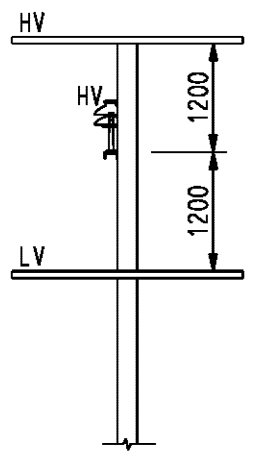
TYPE G



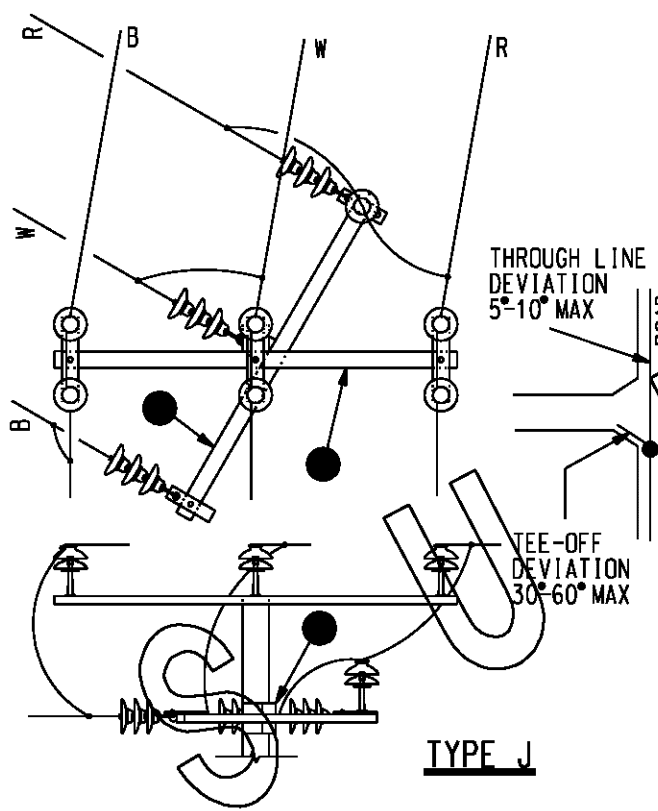
TYPE H



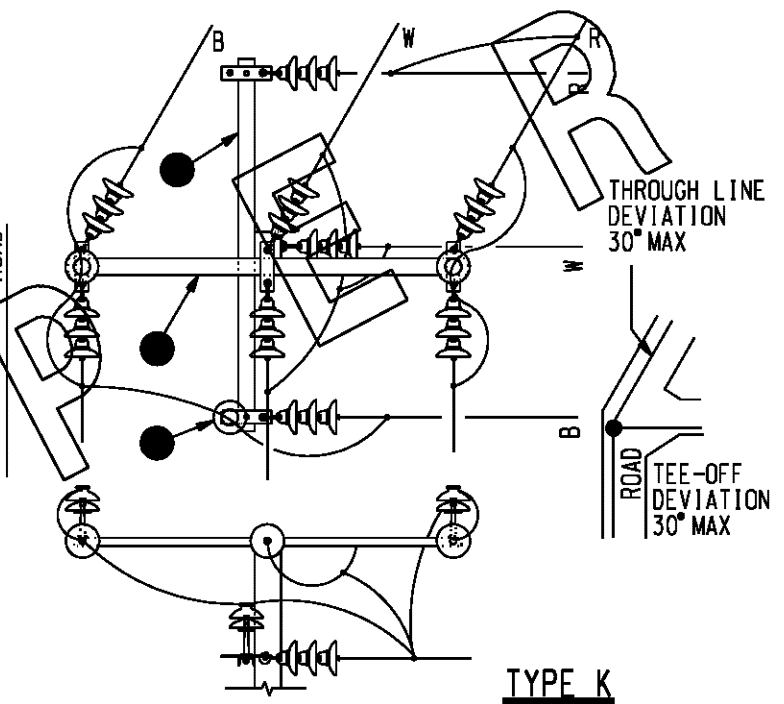
TYPE N 45°



CROSSARM SPACING



TYPE J



TYPE K

NOTES

- ALL CROSSARMS AND OTHER LOAD BEARING ATTACHMENTS TO BE WELDED TO POLES WITH 6mm CONTINUOUS FILLET WELD UNLESS NOTED OTHERWISE.
- IDENTIFICATION OF CONDUCTORS
 - R : RED PHASE
 - W : WHITE PHASE
 - B : BLUE PHASE
- MAINTAIN PHASING WITH RED TOWARDS ROADWAY.
- ALL POLES ARE TO BE EARTHED IN ACCORDANCE WITH S01-02-03-19.

QUANTITY	ITEM	DESCRIPTION	DRG REF				
1	7	BRACKET - X ARM ANGLE MOUNTING	S01-01-04-06				
1	6	HV POLE TOP UNIT TYPE C (LESS 1 LINE PIN ASSY.)	S01-02-02-02				
1	5	HV POLE TOP UNIT TYPE D	S01-02-02-02				
1	4	HV LINE PIN ASSEMBLY	S01-02-01-04				
1	3	HV POLE TOP UNIT TYPE A	S01-02-02-02				
1	2	HV POLE TOP UNIT TYPE E	S01-02-02-02				
1	1	HV POLE TOP UNIT TYPE B	S01-02-02-02				
K	J	H	G	F	ITEM	DESCRIPTION	DRG REF

MATERIAL SCHEDULE

NO	DESCRIPTION	DRN	DATE	CKD	APPD
8	SUPERSEDED	A.T.	DEC'12	B.C.	B.C.
7	HV CROSSARM SPACING INCREASED TO PROVIDE FOR POST INSULATORS	A.S.	FEB'02	F.R.	F.R.
6	NOTE 4 ADDED.	J.A.L.			
5	'ROAD' LABELS ADDED TO DETAILS AND NOTE 3 CHANGED	J.A.L.	MAY'95	S.C.M.P.	J.D
4	REDRAWN ON CAD, NOTE 1 CHANGED	G.R.	JUN'94	A.G.B.	A.G

AMENDMENTS



DES -	POWER STANDARD DRAWING	
DRN G.R.	POLE TOP UNITS	
CKD A.G.B.	H.V	
APPD J.P.KING	TYPES F,G,H,J & K	
SCALE N.T.S	A3	DRAWING NUMBER S01-02-02-05
ISSUED JUN'94		
ALL DIM. IN mm	DRAWING NUMBER S01-02-02-05	
DRAFTING STANDARD TO A.S.1100	CAD PRODUCT - DO NOT AMEND MANUALLY	



AMDT