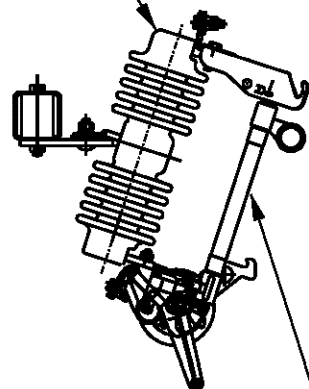
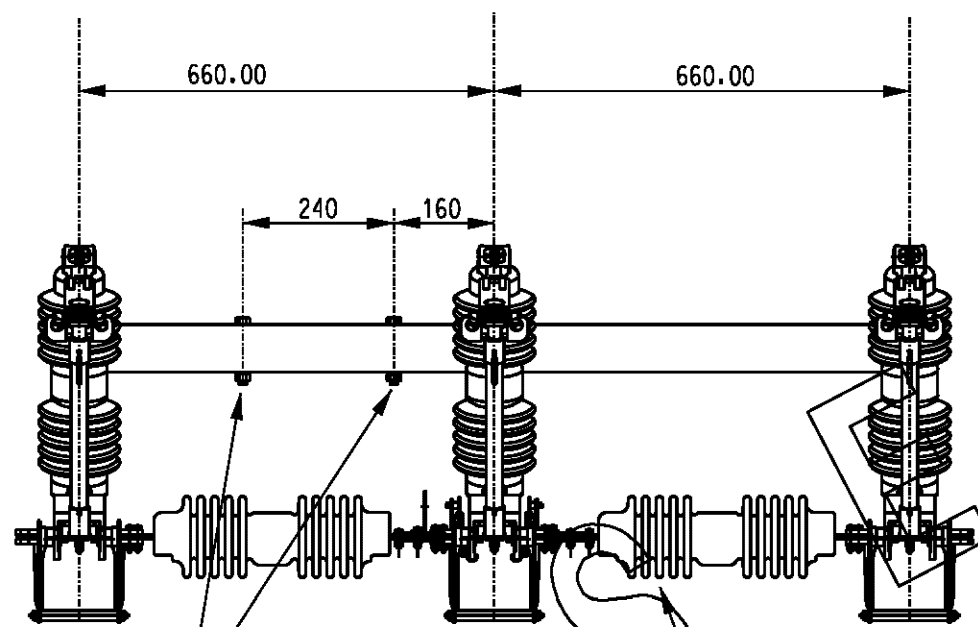


SWITCH FUSE ASSEMBLY
AS PER ITEM 1 ON DRG S01-01-06-06



EDO FUSE TUBE ASSEMBLY
STOCK CODE 169300
REFER DRG. S01-01-06-06 ITEM 3



M 16 BOLTS FOR
CONNECTING X ARM TO POLE
MOUNTING BRACKET
(REFER TO DRG S01-02-05-16)

PORCELAIN
INTERPHASE
INSULATORS

SIDE ELEVATION

1 : 10

FRONT ELEVATION

1 : 10

ITEM 1 - UNITISED TRI-FUSE ASSEMBLY

(STOCK CODE - 3889)

NOTES :

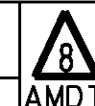
1. INSULATORS TO COMPLY WITH AS 2947.
2. STEEL MATERIAL TO COMPLY WITH AS 3678, GRADE 250.
3. HOT DIPPED GALVANIZING TO COMPLY WITH AS 1650
4. BOLTS TO BE METRIC STAINLESS STEEL.
5. SWITCH BLADES TO BE COPPER-TINNED.
6. CONTACTS TO BE SILVER/SILVER-TINNED.
7. TERMINAL PALMS TO BE COPPER-TINNED.
8. RATINGS - RATED VOLTAGE : 12/24 kV
- RATED CURRENT : 100 AMP
RATED BREAKING CAPACITY : 8 KA SYM.
(FITTED WITH ARC SHORTENING ROD)
B.I.L. 150 kV
9. THIS DRAWING IS INTENDED TO BE INDICATIVE ONLY.

OBSOLETE NOT FOR NEW CONSTRUCTION

8	OBSOLETE	J.C.	JUN'09	A.T.	S.C.
7	DIMENSION BETWEEN MOUNTING BRACKET BOLT HOLES AMENDED.	J.A.L.	JAN'97	A.B.	F.R.
6	CROSSARM CHANGED TO SQUARE SECTION. REDRAWN ON C.A.D. NOTE 9 ADDED.	J.A.L.	JUL'95	S.C.M.	P.J.D
NO	DESCRIPTION	DRN	DATE	CKD	APPD
AMENDMENTS					

PowerWater
NORTHERN TERRITORY

DES	A.G.B.	POWER STANDARD DRAWING		
DRN	gmck	SWITCHGEAR TRI-FUSE ASSEMBLY UNITISED		
CKD	N.S.			
APPD	B.T.K.			
SCALE	1 : 10			
ISSUED	DEC'91	A3	DRAWING NUMBER	S01-01-06-03
ALL DIM. IN	mm			
DRAFTING STANDARD TO A.S.1100			CAD PRODUCT - DO NOT AMEND MANUALLY	



AMDT