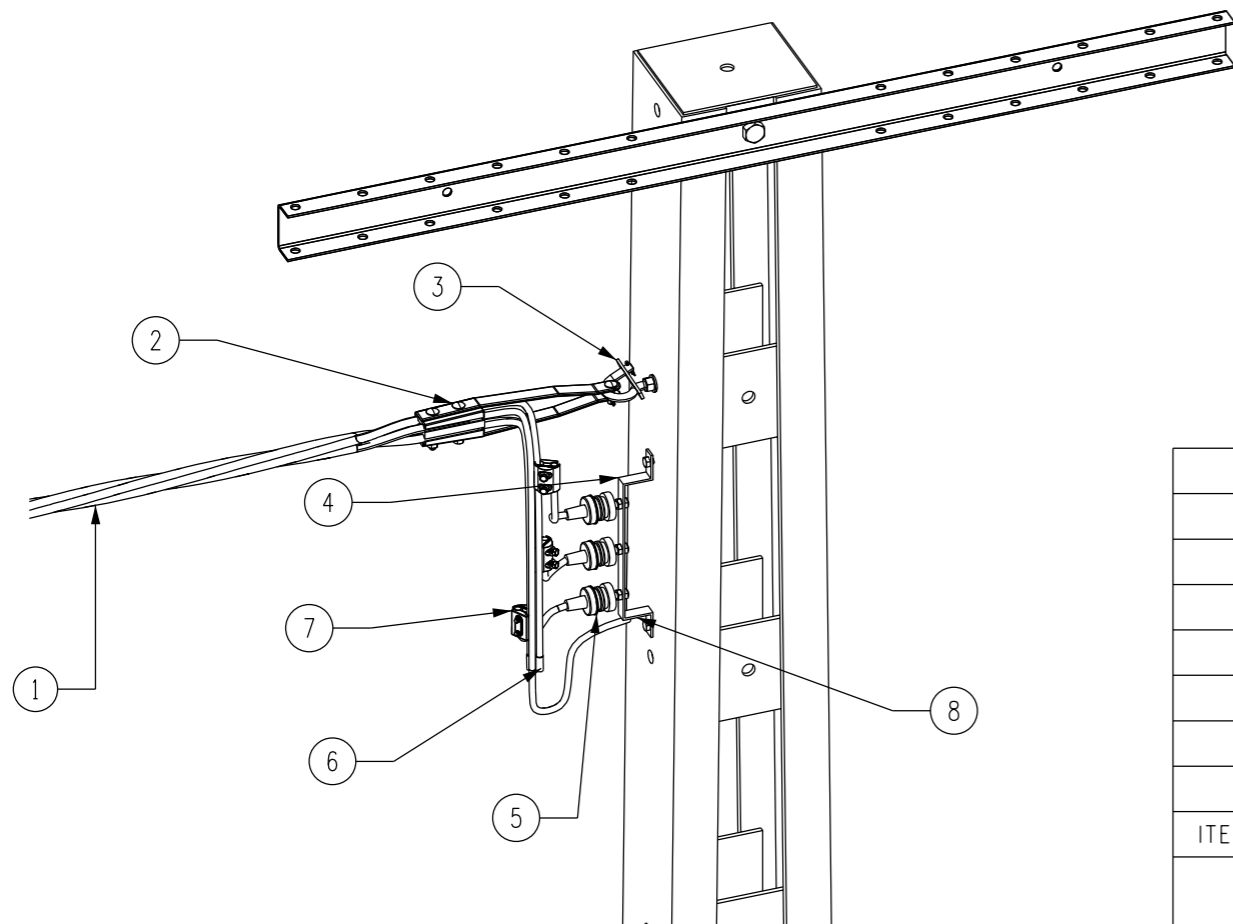


NOTES:

1. LV-ABC ACTIVE TAILS SHALL BE COLOR CODED WITH COLORED HEATSHRINK.
2. SURGE DIVERTER MOUNTING BRACKET SHALL BE POWER FASTENED TO THE POLE AND EARTHED AS SHOWN IN S04-02-04-01.
3. REFER TO S04-02-01-25 AND S04-02-01-26 IF SERVICE CONNECTIONS ARE REQUIRED.
4. OPEN ENDS OF ALL LV-ABC SHALL BE SEALED WITH THICK WALLED MASTIC LINED HEATSHRINK CAPS.



ITEM REF.	QTY.	DESCRIPTION	ITEM NUMBER	DWG. NO.
8	1	LV ABC INSULATED CRIMP LUG	-	S04-01-02-18
7	3	INSULATION PIERCING CONNECTOR 150-50/35-6	415586	S04-01-02-15
6	4	THICK WALLED MASTIC LINED HEATSHRINK END CAPS FOR 95 & 150 SQMM LV ABC	-	S04-01-02-20
5	3	LV SURGE ARRESTER	10041	S01-01-04-20
4	1	LV SURGE ARRESTER MOUNTING BRACKET	214932	S01-01-04-27
3	1	M16 HOOK BOLT NON-BREAKAWAY	202184	S04-01-02-07
2	1	LV ABC STRAIN CLAMP	415585	S04-01-02-11
1	AR	CABLE LV ABC	-	S04-01-01-01

MATERIAL SCHEDULE

NO	DESCRIPTION	DRN	DATE	CKD	APPD
2	REFORMATTED TABLE. ADDED ITEM 3, 6 & 7 DETAILS. UPDATED DRAWING REFERENCES IN NOTES 2 & 3.	A.N.	JUL '21	A.N.	B.C.
1	TITLEBLOCK & DRAWING NUMBER FORMATTED	K.T.	DEC '19	C.C.	C.C.
0	ISSUED FOR CONSTRUCTION	C.C.	SEP '12	A.T.	S.C.
AMENDMENTS					



DES	A.TAYLOR	POWER STANDARD DRAWING		
DRN	C.COPPINS	CABLE TERMINATION LV-ABC TERMINATION & SURGE DIVERTERS BOLTED POLES		
CKD	A.TAYLOR			
APPD	B.CHEUNG			
SCALE	N.T.S.			
ISSUED	JUL '12	A3	DRAWING NUMBER	S04-02-04-05
ALL DIM.	IN mm			
DRAFTING STANDARD TO A.S.1100		CAD PRODUCT - DO NOT AMEND MANUALLY		