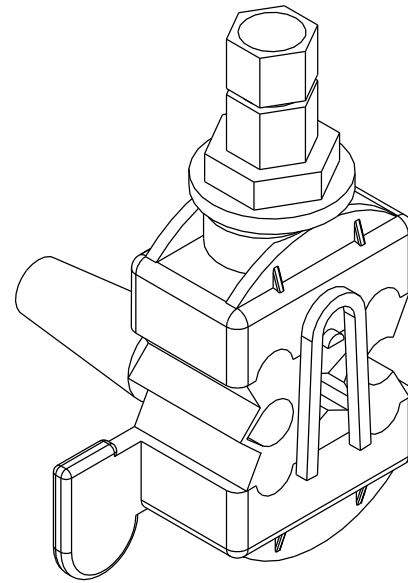


ITEM 1 - CONNECTOR PIERCING 95/6

ITEM NUMBER: 198382

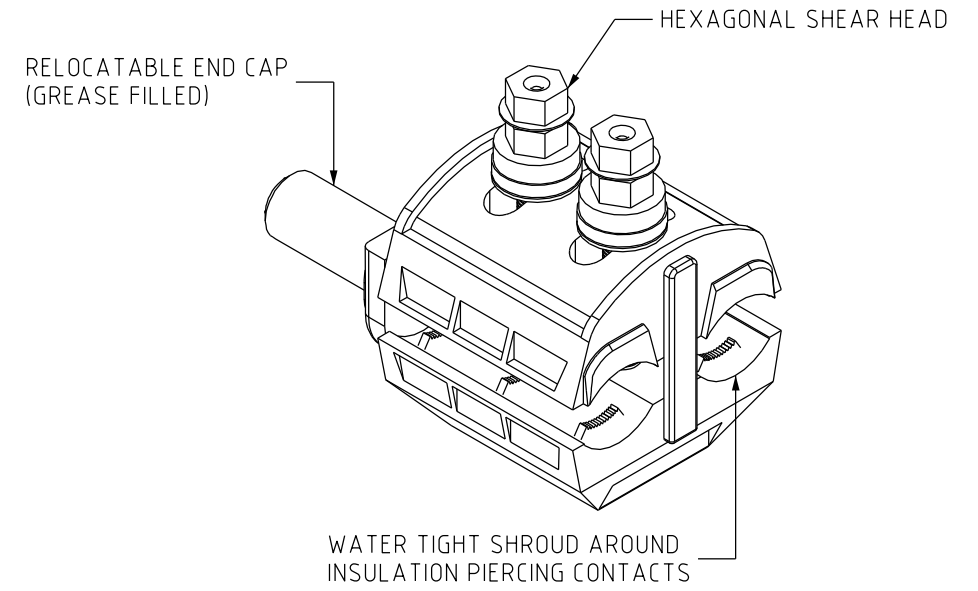
SUITABLE FOR CABLES - 95 sq.mm / 16 sq.mm MAIN
- 6 sq.mm / 1.5 sq.mm TAP



ITEM 2 - CONNECTOR PIERCING 150/35

ITEM NUMBER: 415586

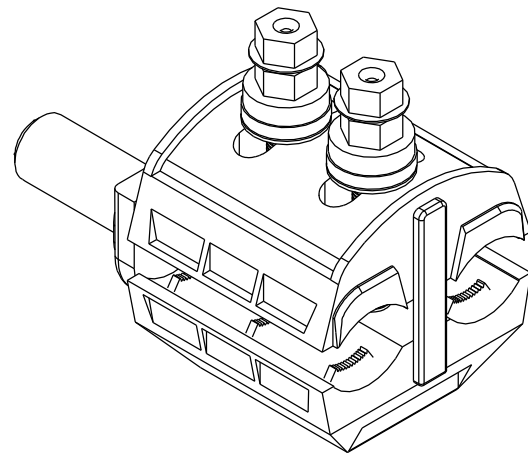
SUITABLE FOR CABLES - 150 sq.mm / 50 sq.mm MAIN
- 35 sq.mm / 6 sq.mm TAP



ITEM 3 - CONNECTOR PIERCING 185/150

ITEM NUMBER: 415587

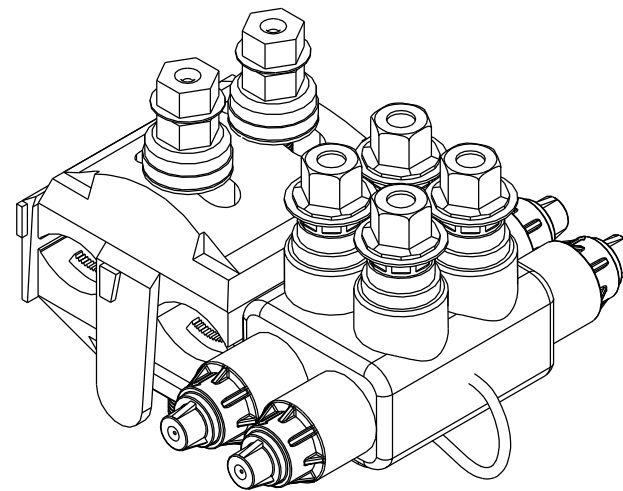
SUITABLE FOR CABLES - 185 sq.mm / 50 sq.mm MAIN
- 35 sq.mm / 6 sq.mm TAP



ITEM 4 - CONNECTOR PIERCING 95-240 BARE/95-150 ABC

ITEM NUMBER: 415588

SUITABLE FOR CABLES - 240 sq.mm / 95 sq.mm BASE ALUMINIUM MAIN
- 150 sq.mm / 95 sq.mm INSULATED TAP



ITEM 5 - CONNECTOR PIERCING LV ABC 25-95/4 x 6 TO 35

ITEM NUMBER: 504616 NEUTRAL

504617 RED

504618 WHITE

504619 BLUE

SUITABLE FOR CABLES - 95 sq.mm/25sq.mm MAIN
- 4 x 35 sq.mm /6 sq.mm TAP

NOTES:

1. CONNECTORS ARE TO BE SUPPLIED WITH A GREASE FILLED END CAP TO SEAL THE END OF THE TAP CONDUCTOR.
2. ALL BOLTS TO BE SUPPLIED WITH HEXAGONAL SHEAR HEADS. SHEAR HEADS SHALL HAVE EITHER SHEAR OFF INDICATOR TAGS OR STAGGERED HEADS E.G. 13mm AND 17mm A/F.
3. THE INTEGRITY OF THE SYSTEM INSULATION MUST BE MAINTAINED DURING AND AFTER INSTALLATION.
4. ALL INSULATION PIERCING CONNECTORS SHALL COMPLY WITH AS 4396.

5	INCLUDE ITEM 5
4	TITLEBLOCK & DRAWING NUMBER FORMATTED
3	RESIZED FOR 150SQMM ABC
2	NOTE 4. ADDED REDRAWN IN 3D

C.C.	MAY'20	B.C.	B.V.
K.T.	JAN'20	C.C.	C.C.
K.T.	MAR'12	B.C.	S.C.
J.C.	MAR'09	A.T.	S.C.

NO	DESCRIPTION	DRN	DATE	CKD	APPD
AMENDMENTS					



DES	H.T.	POWER STANDARD DRAWING		
DRN	J.C.	LINE HARDWARE		
CKD	G.S.	LV - ABC		
APPD	B.KENT	CONNECTORS		
SCALE	N.T.S.	PIERCING		
ISSUED	-	A3	DRAWING NUMBER	S04-01-02-15
ALL DIM. IN mm				
DRAFTING STANDARD TO A.S.1100		CAD PRODUCT - DO NOT AMEND MANUALLY		AMDT