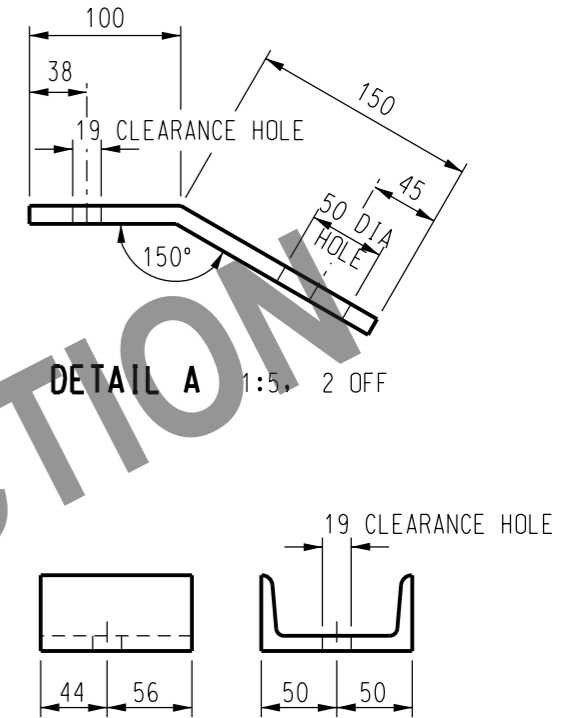


ELEVATION 1:20



DETAIL A 1:5, 2 OFF

DETAIL B 1:5

STOCK CODE	No OF LV ARMS	No OF HV ARMS	LENGTH	
			A	B
NSI	2	2	1118	3505
402983	1	1	1727	4115
	1	2	1727	4115
	2	1	1727	4115
	2	3	1727	4115
NSI	1	3	2489	4877

APPLICATION GUIDE

NOTE: DIMENSION B IS THE TOTAL LENGTH OF 40mm NB PIPE REQUIRED TO FABRICATE EACH BRACKET.

DETAIL C N.T.S.

NO	DESCRIPTION	DRN	DATE	CKD	APPD
6	OBSOLETE DESIGN	C.C.	JUL'19	B.V.	B.C.
5	FUSE RELOCATED, CONDUIT ADDED	J.C.	MAR'09	S.C.	A.T.
4	TABLE REDRAWN WITH STOCK CODE	K.I.	JUL'05	C.C.	C.C.
3	REDRAWN AS MICROSTATION CAD FILE	RGI	APR'01	FRR	MWB
2	TITLE AND DRAWING NUMBER CHANGED	-	NOV'87	-	-
1	TEXT "NOT A STOCK ITEM" ADDED	-	JAN'87	BK	-
AMENDMENTS					



DES		POWER STANDARD DRAWING	
DES	G.McSHANAG	BRACKET LANTERN OUTREACH HIGH RISE	
DRN	G.McSHANAG		
CKD	-		
APPD	-		
SCALE	-		
ISSUED	FEBRUARY 1986	A3	DRAWING NUMBER S03-01-03-03
ALL DIM. IN mm			
DRAFTING STANDARD TO A.S.1100		CAD PRODUCT - DO NOT AMEND MANUALLY	

