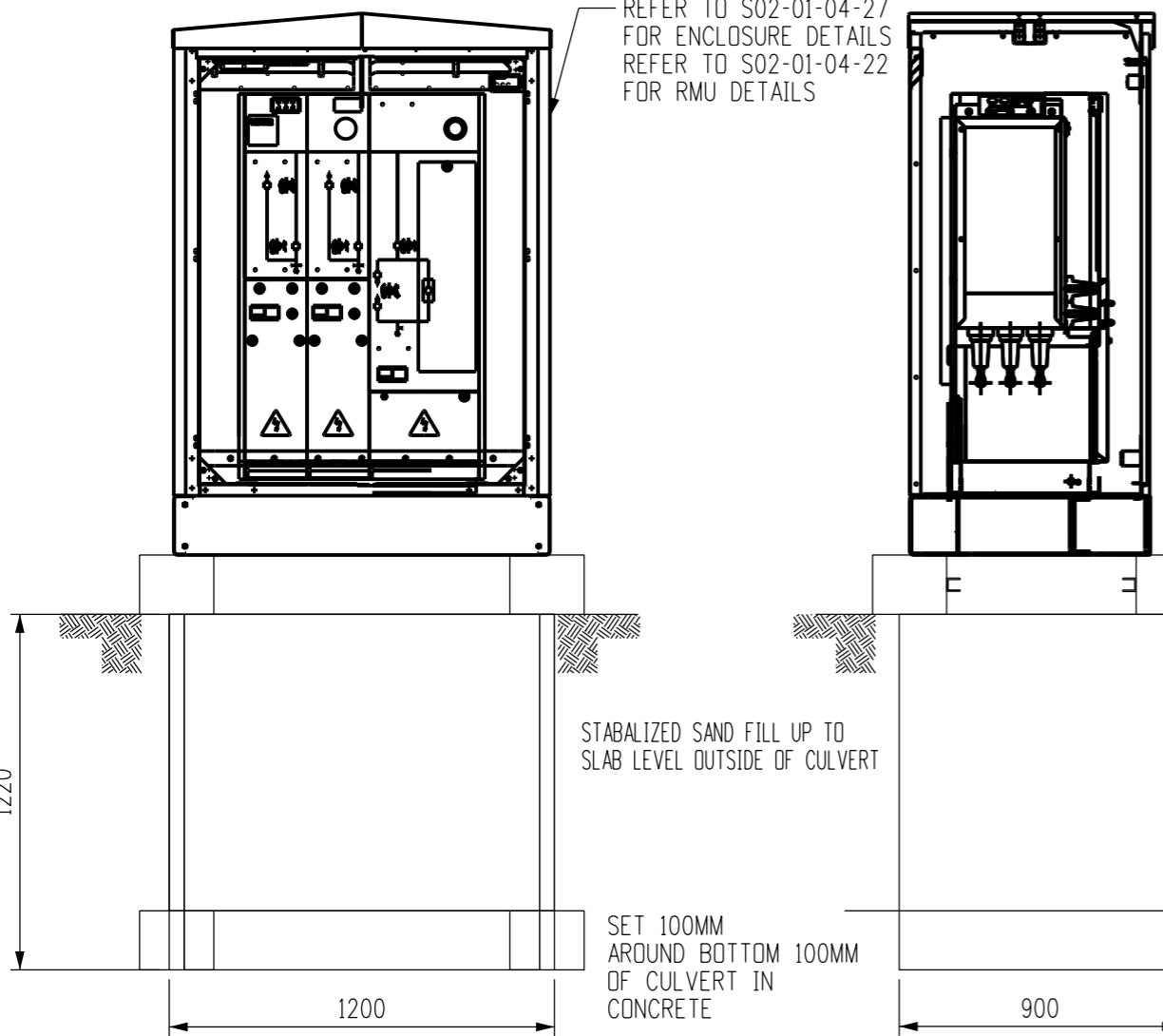
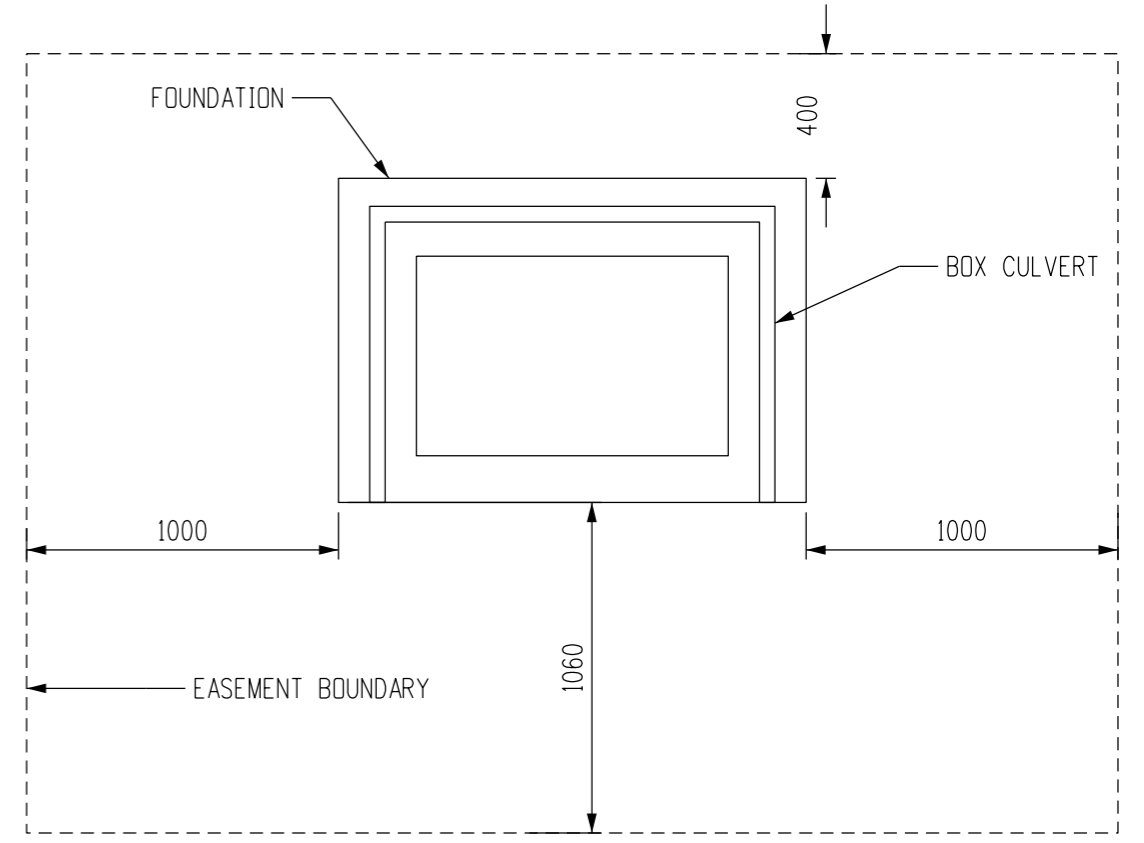


REFER TO S02-01-04-27 FOR ENCLOSURE DETAILS
REFER TO S02-01-04-22 FOR RMU DETAILS



REFER TO S02-02-06-33 FOR APRON AND GROUND LEVEL DETAILS

HUMES BOX CULVERT, 1200 x 900 x 1220 EXTERNAL DIMENTIONS ITEM NUMBER 502446



1	TITLEBLOCK & DRAWING NUMBER FORMATTED	K.T.	FEB'19	C.C.	C.C.
0	ISSUED FOR CONSTRUCTION	A.T.	MAR'14	B.C.	B.C.
NO	DESCRIPTION	DRN	DATE	CKD	APPD
AMENDMENTS					



DES	B. CHEUNG	POWER STANDARD DRAWING		
DRN	A. TAYLOR	CIVIL, DRIESCHER RMU, CABLE ENTRY AND FOUNDATION DETAILS		
CKD	A. TAYLOR			
APPD	B. CHEUNG			
SCALE	1:25			
ISSUED	MAR'14	A3	DRAWING NUMBER	S02-02-06-34
ALL DIM.	IN mm			
DRAFTING STANDARD TO A.S.1100		CAD PRODUCT - DO NOT AMEND MANUALLY		AMDT