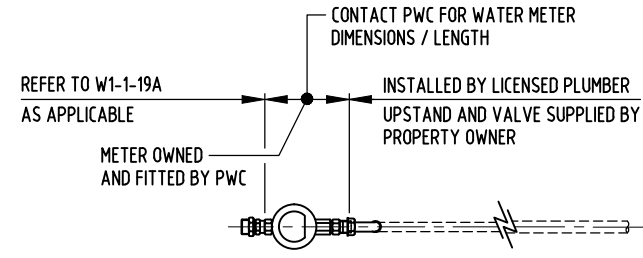
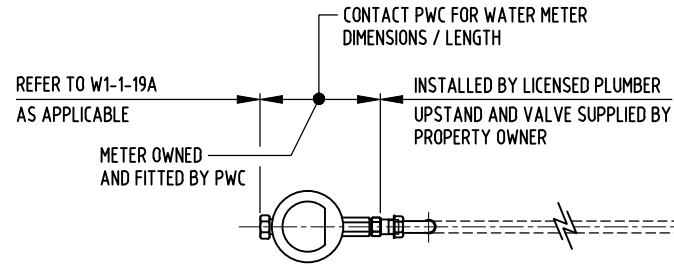


FOR POTABLE WATER ONLY

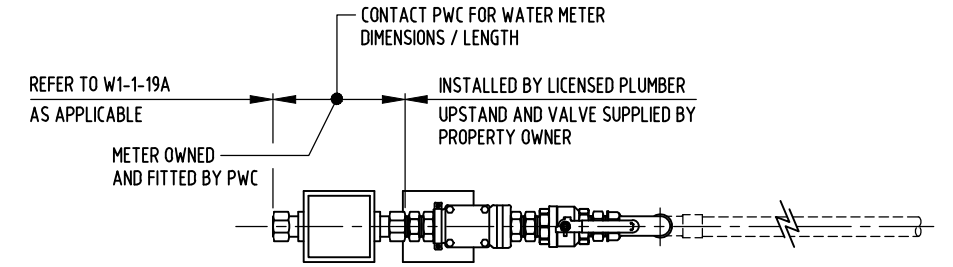
NOT FOR SUPPLY TO FIRE SPRINKLERS OR FIRE HYDRANTS



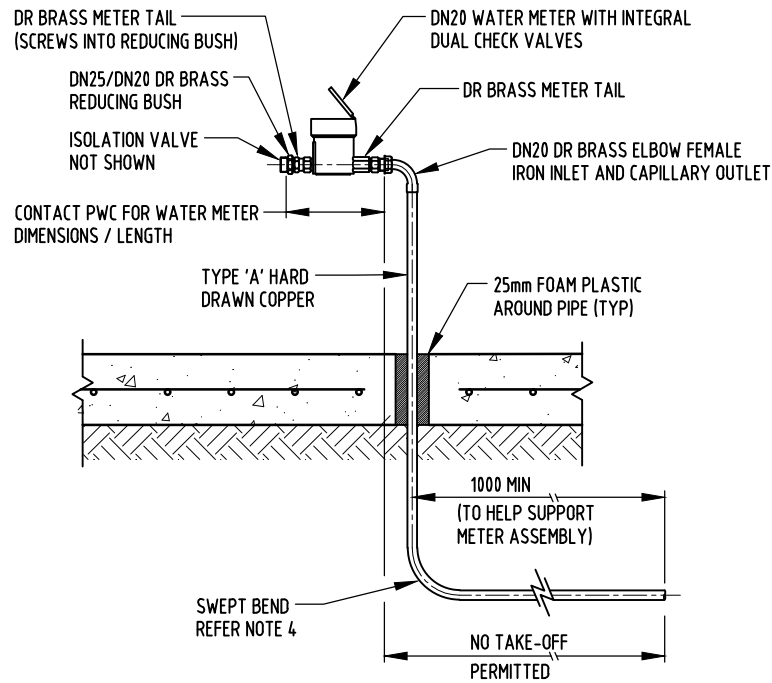
PLAN



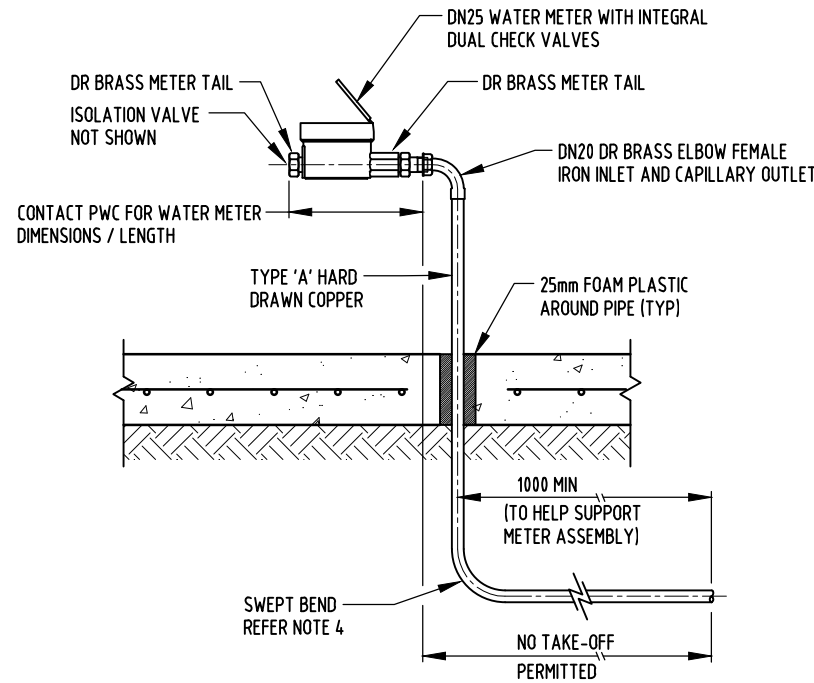
PLAN



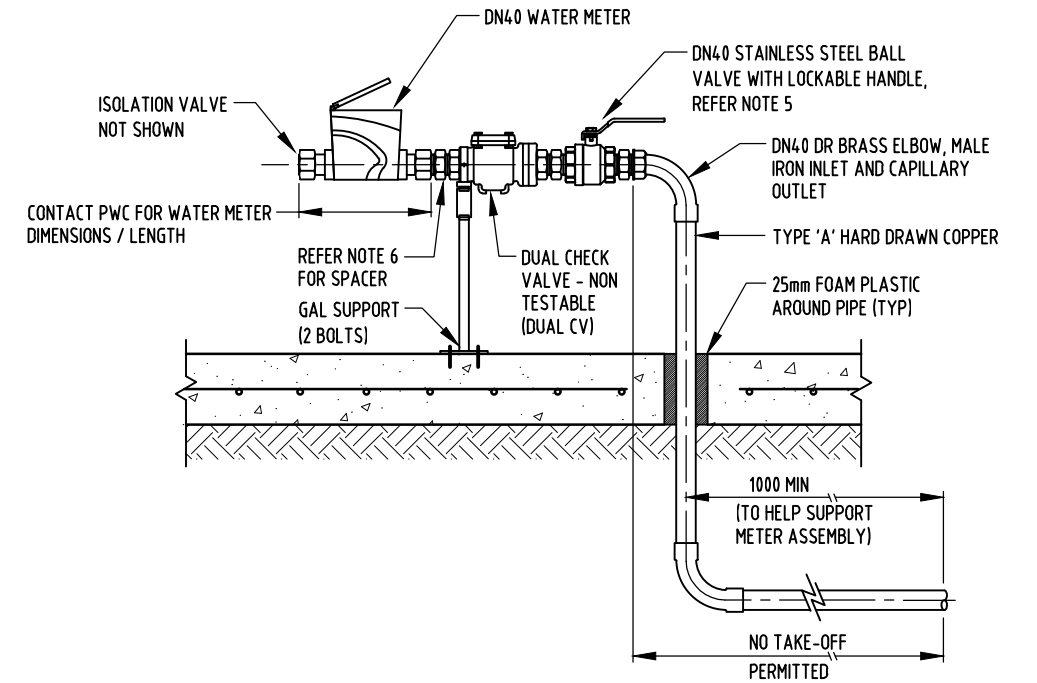
PLAN



DN20 ELEVATION
FIRE HOSE REELS NOT PERMITTED



DN25 ELEVATION



DN40 ELEVATION

NOTES:

1. A BACKFLOW CERTIFIED PLUMBER IS REQUIRED TO DETERMINE THE RISK OF CONTAMINATION OF THE POTABLE WATER SUPPLY DUE TO CROSS CONNECTIONS. REFER AS/NZS 3500.1
2. WHERE MEDIUM OR HIGH HAZARD RISKS ARE IDENTIFIED, DISCUSS REQUIREMENTS WITH PWC.
3. NUT AND TAILS FOR METER INSTALLATION SUPPLIED BY PWC.
4. SWEPT BEND TO BE FORMED USING PIPE BENDER OR BENDING SPRING WITH A BEND RADIUS GREATER THAN FIVE TIMES THE OUTSIDE DIAMETER OF THE COPPER TUBE.
5. VALVE TO BE ABLE TO BE LOCKED IN OPEN POSITION.
6. APPROX. 200 MIN. - 300 MAX. SPACER NEEDED FOR COMMERCIAL OR RETAIL INSTALLATIONS REFER TO STD DRAWING W1-1-19C.

NO	DESCRIPTION	DRN	DATE	CKD	APPD
3	GENERAL AMENDMENTS 2020.	PW	JULY'20	JR	DC
2	GENERAL UPDATE.	AW	JUNE'18	JR	DC
1	DN20 AND DN32 SERVICE REMOVED, DN50 SERVICE ADDED, NOTES AMENDED.	AJM	MAR'11	RJ	RJ
AMENDMENTS					



DES	RJ	WATER STANDARD DRAWING			
DRN	RI				
CHK	MS	SERVICES			
APPD	JP				
SCALE	N.T.S.	DUAL DN100/150 (FIRE SERVICE) & DN20/25/40 METER CONNECTIONS (LOW HAZARD)			
ISSUED	NOV'08				
ALL DIM. IN mm		A3	DRAWING NUMBER	W1-1-19B	3
DRAFTING STANDARD TO A.S.1100		CAD PRODUCT - DO NOT AMEND MANUALLY		AMDT	