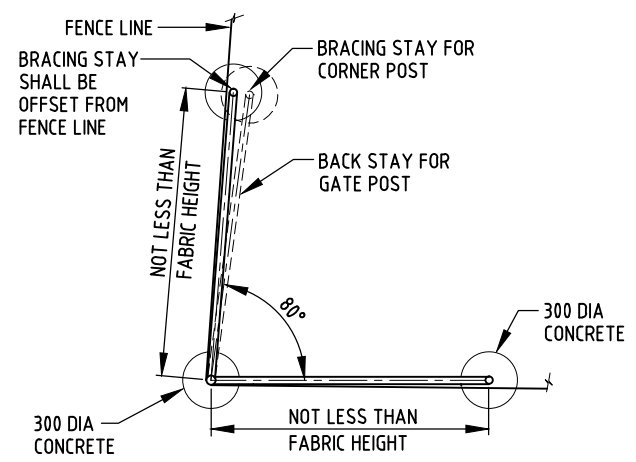
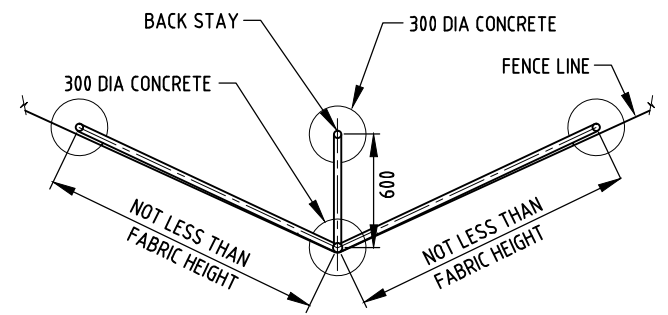


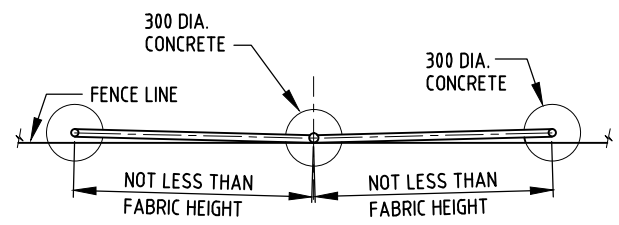
REFER TO W1-6-02A FOR FENCE ELEVATION, NOTES AND SCHEDULE OF MATERIALS.



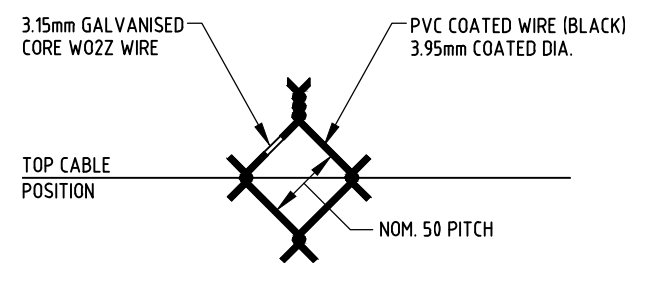
CORNER & GATE POST ARRGT
(FOR CORNERS 90° OR LESS)



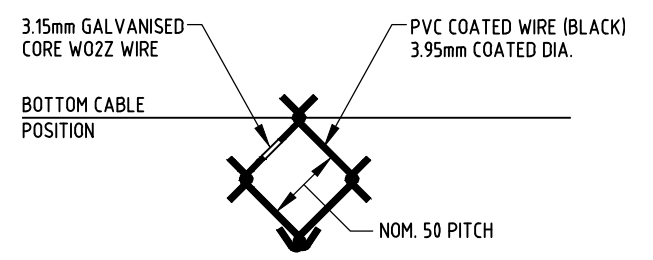
CORNER POST ARRGT
(FOR CORNERS GREATER THAN 90°)



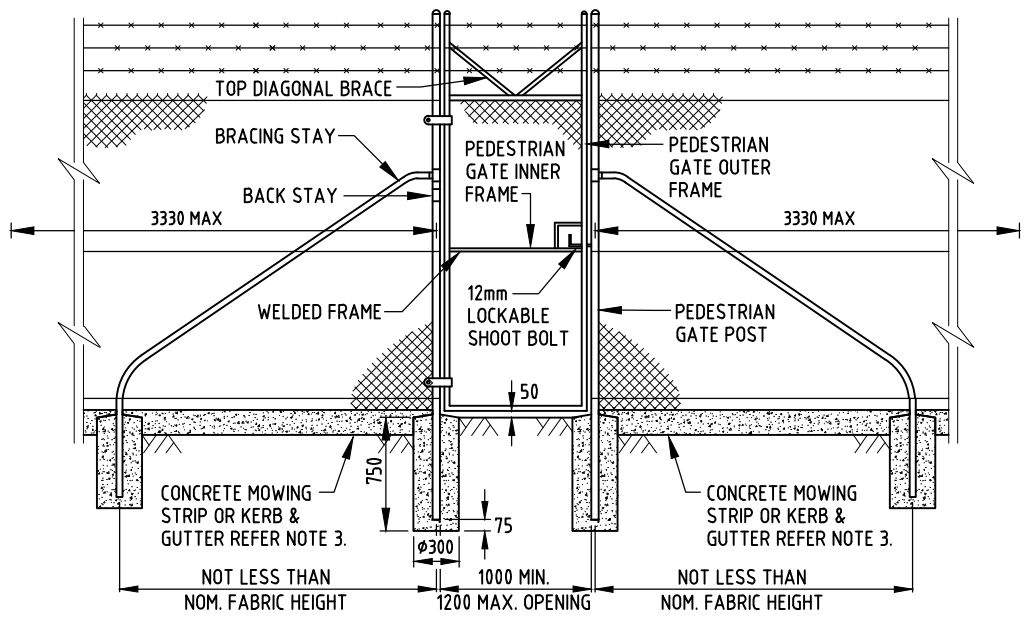
STRAINER POST ARRGT



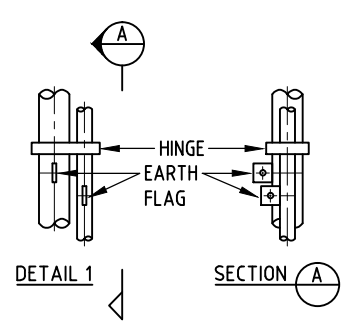
CHAINWIRE MESH TOP
BARBED SLEVEDGE



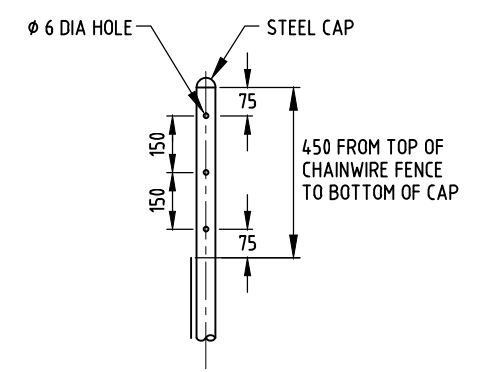
CHAINWIRE MESH BOTTOM
KNUCKLED SLEVEDGE



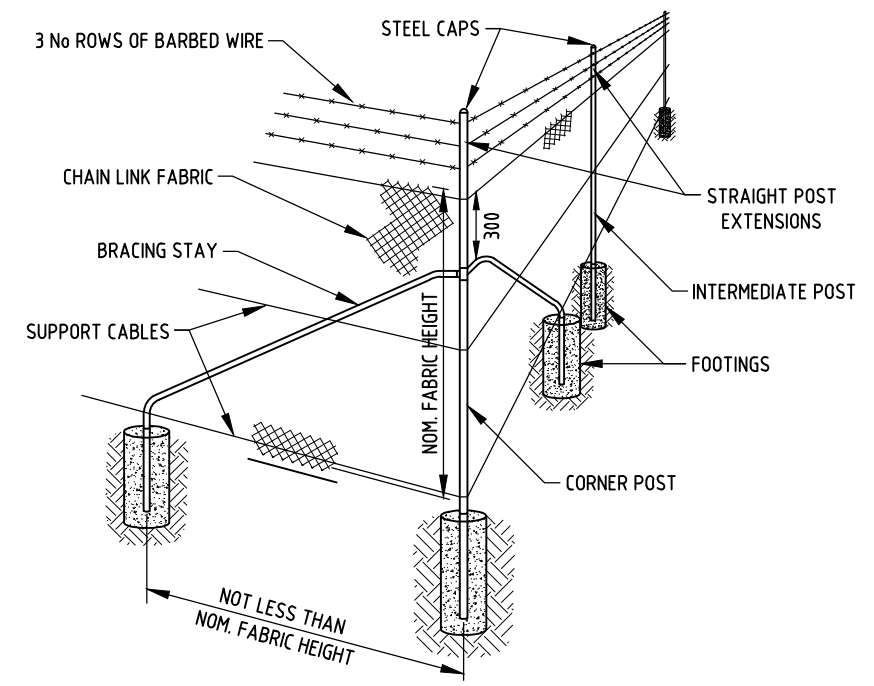
PEDESTRIAN GATE ON FENCE LINE



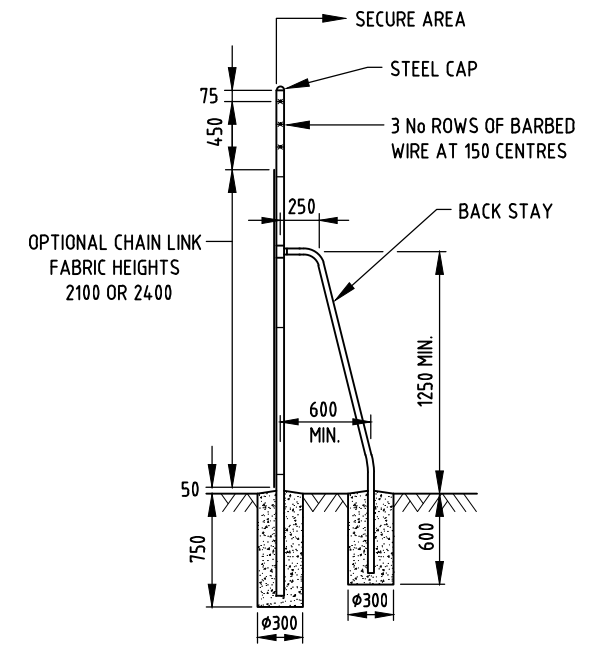
GATE EARTH FLAG POSITIONING AT GATES



BARBED WIRE SPACING



CORNER POST WITH STRAIGHT POST EXTENSIONS AND BARBED WIRE WITH DIAGONAL BRACING STAYS



STRAIGHT GATE POST AND BACK STAY
NOT REQUIRED ON AUTOMATIC GATE

NO	DESCRIPTION	DRN	DATE	CKD	APPD
5	GENERAL AMENDMENTS 2021.	PW	JUNE'21	JR	DC
4	REDRAWN IN AUTOCAD.	AW	OCT'18	JR	DC
3	PEDESTRIAN GATE ADDED. NOTES AMENDED.	RGI	AUG'08	RJ	JP
2	FOUNDATION CONCRETE REVISED TO N20, NOTES 1, 14 & 16 REVISED. NOTES 9 & 10 ADDED.	RGI	APR'03	MCH	NWM
1	REMOVED CRANKED POSTS, ADDED SCHEDULE OF MATERIALS & HASP AND STAPLE, MODIFIED TITLE.	ATS	MAY'01	IW	JP
AMENDMENTS					



DES	T&S (DTW)	WATER STANDARD DRAWING	
DRN	A.DAVIS	MISCELLANEOUS	
CHK	R.INNES	COMPOUND CHAINWIRE SECURITY FENCE	
APPD	F.ROBSON	DETAILS AND SECTIONS	
SCALE	N.T.S.	A3	DRAWING NUMBER
ISSUED	SEPT'99		
ALL DIM. IN mm			5
DRAFTING STANDARD TO A.S.1100		CAD PRODUCT - DO NOT AMEND MANUALLY	