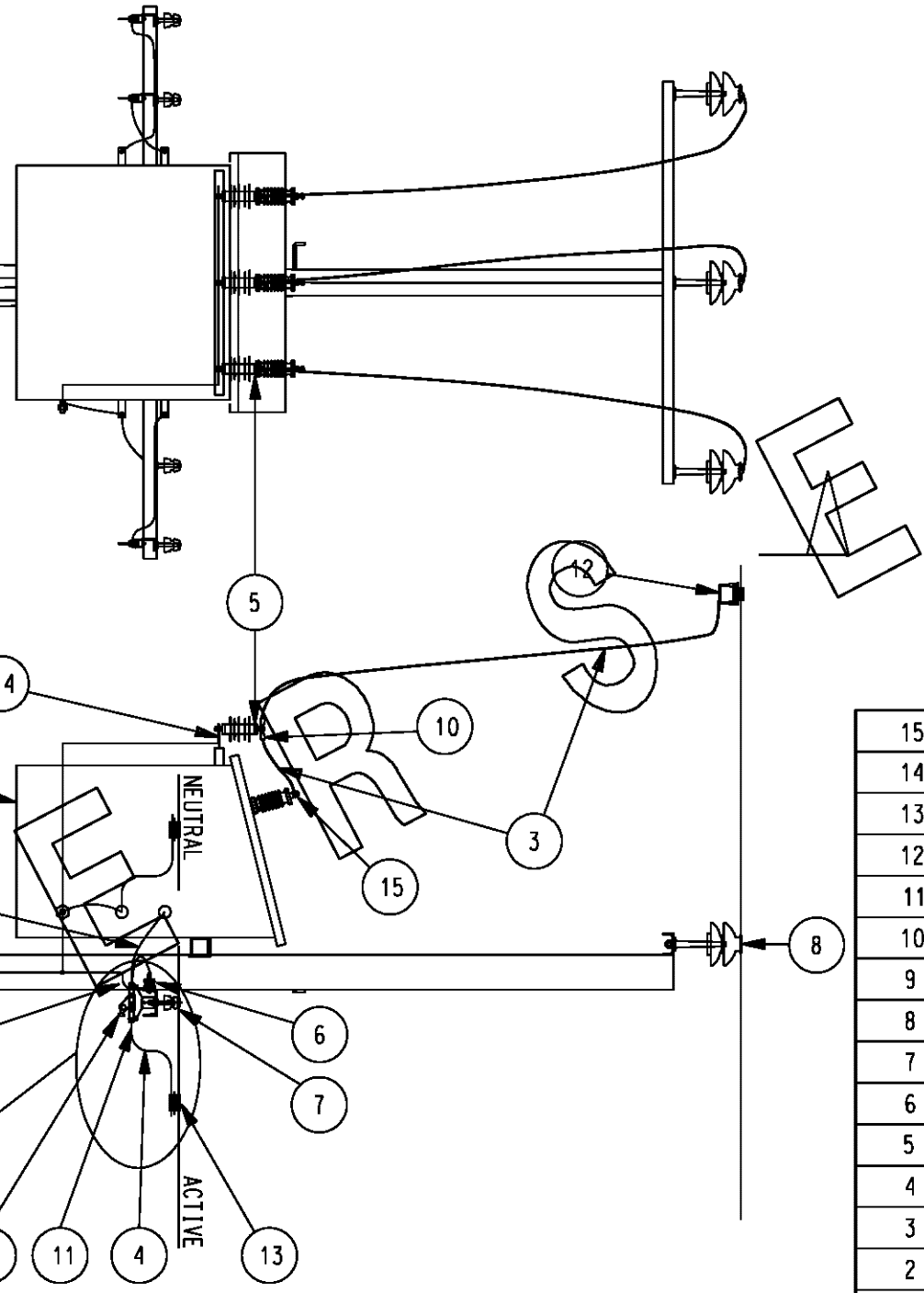
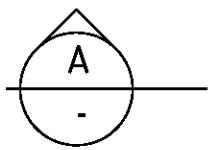


Scale 1:40

ELEVATION

ROADSIDE

PROPERTY

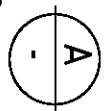


NOTE

1. REFER TO DRAWING NUMBER S01-02-06-01 FOR MATERIAL SELECTION TABLE
2. WHERE POLYMER HOUSED SURGE DIVERTER REPLACES PORCELAIN TYPE, ARRANGEMENT SHOWN ON DWG S01-01-04-33 DETAIL A SHOULD BE USED.
3. TYPES OF SURGE DIVERTER IN USE :
 - PORCELAIN A.B.B. & BOWTHORPE (DRG S01-01-04-32).
 - RAYCHEM (DRG S01-01-04-19) & POLYMER HOUSED BOWTHORPE (DRG S01-01-04-33).
 RAYCHEM & BOWTHORPE POLYMER HOUSED SURGE DIVERTERS REPLACE SUPERSEDED PORCELAIN SURGE DIVERTERS.

Scale 1:40

VIEW



15	3	LUG - 35 sq.mm	282277	-
14	3	BRACKET-SURGE DIVERTER MOUNTING(REF NOTE 3)	-	-
13	AR	BI-METAL PARALLEL GROOVE CLAMP (REF NOTE 1)	115774	S01-01-04-25
12	3	TERMINATION - BI-METAL - TYPE 'CU'	-	S01-02-01-01
11	AR	LUG (see note 1)	-	S01-02-06-01
10	3	LUG - 35 sq.mm (REFER NOTE 2)	-	-
9	3	ISOLATING SWITCH - LV (REF NOTE 1)	-	-
8	4	POLE TOP UNIT - HV - TYPE A	-	S01-02-02-02
7	4	POLE TOP UNIT - LV - TYPE 'a'	-	S01-02-02-01
6	3	SURGE DIVERTER - LV	10041	S01-01-04-20
5	3	SURGE DIVERTER - HV (REF NOTE 3)	-	-
4	AR	CABLE - LV - SINGLE CORE (REF NOTE 1)	-	-
3	15 m	CABLE - 11 kv - SINGLE CORE PVC - 35 sq.mm	9092	S02-01-01-05
2	1	TRANSFORMER - HANGING TYPE	-	-
1	1	POLE STRUCTURE	-	S01-02-05-06

ITEM No	QTY.	DESCRIPTION	S/C	DRG No.
---------	------	-------------	-----	---------

MATERIAL SCHEDULE

9	SUPERSEDE DESIGN	K.I.	-	B.C.	MAY'06
8	NOTES ADDED, MATERIALS TABLE EDITED, SURGE DIVERTER ADDED TO ELEVATION.	J.A.L.	S.C.M.	F.R.R.	MAR'98
7	ARRANGEMENT MODIFIED TO SUIT METAL OXIDE SURGE DIVERTER	gmck	N.S.	B.T.K.	OCT'92
6	POLE ORIENTATION AMENDED.	gmck	N.S.	-	FEB'92
5	REDRAWN	pmc	N.S.	-	FEB'91
No.	AMENDMENT	DRN	CKD	APPD	DATE



DES	T.M-L.	N.T. STANDARD DRAWING		
DRN	pmc	SUBSTATION		
CKD	N.S.	SINGLE POLE		
APPD	B.T.KENT	WITHOUT DROPOUT FUSES		
SCALE	1:40	GENERAL ARRANGEMENT		
ISSUED	FEB'91	A3	DRAWING NUMBER	S1-02-06-02
ALL DIM.IN	mm			
DRAFTING STANDARD TO AS 1100		CAD PRODUCT - DO NOT AMEND MANUALLY		AMDT

