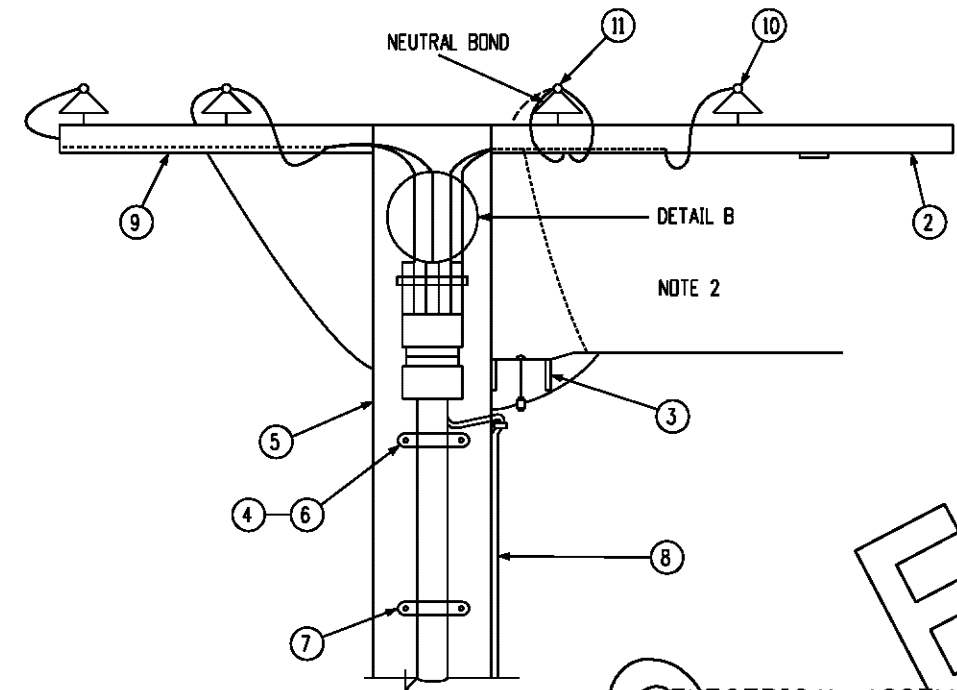
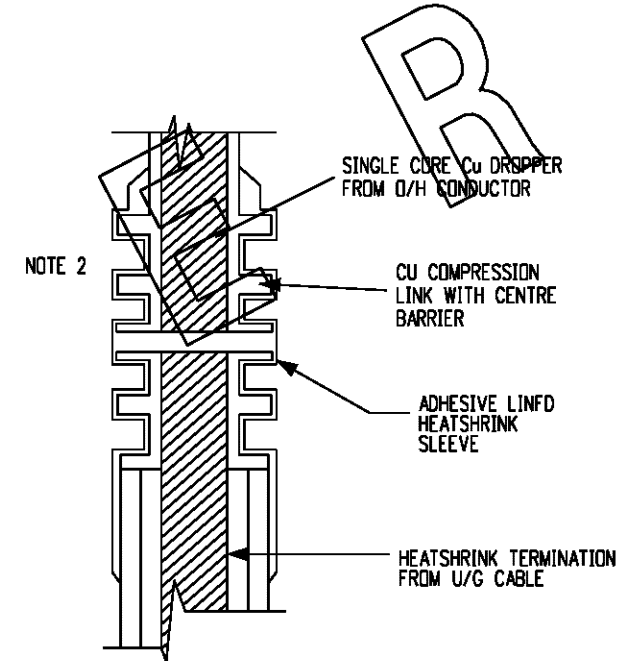
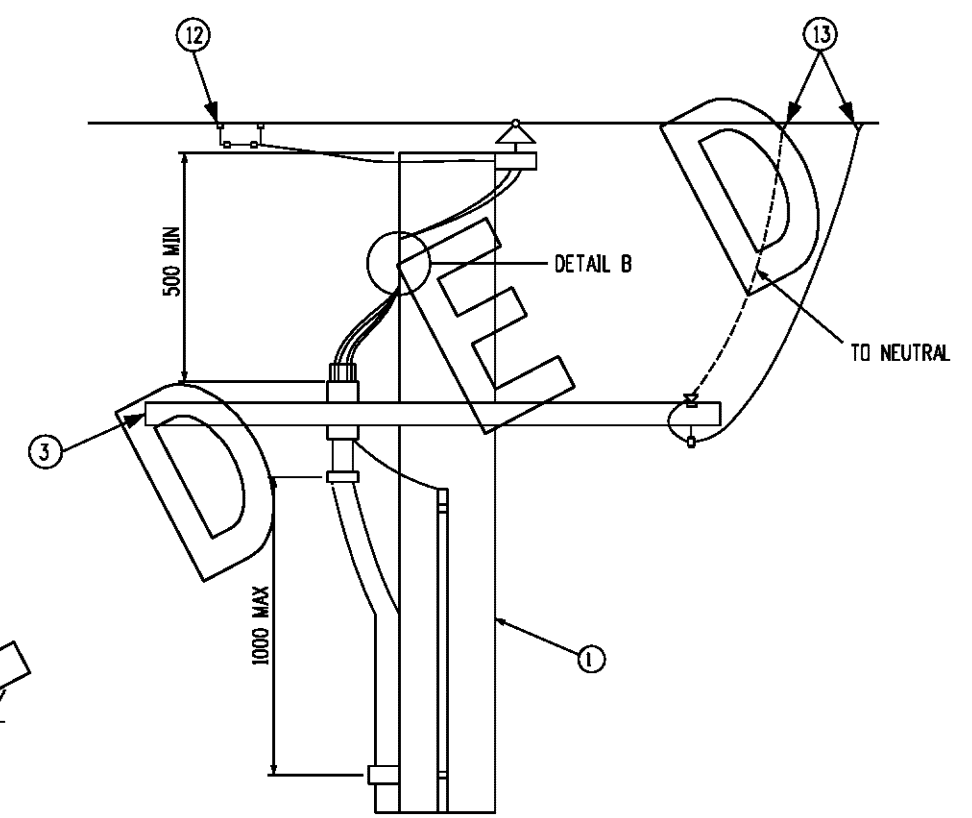


STRUCTURAL ASSEMBLY

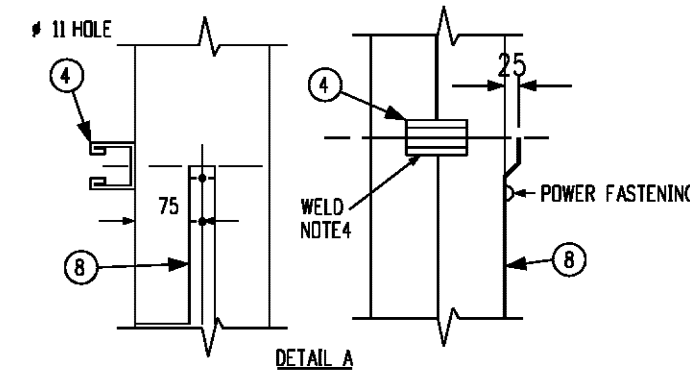


S E

ELECTRICAL ASSEMBLY



DETAIL B-CABLE TO DROPPER CONNECTION



DETAIL A

- NOTES.
- 1/ EARTHING BUSBAR TO BE ATTACHED TO POLE WITH POWER FASTENERS. AT MAX SPACING OF 600mm
 - 2/ COMPRESSION LINKS TO U/G CABLE TO HAVE CENTRE BARRIER TO STOP MOISTURE INGRESS INTO CABLE.
 - 3/ ALL CROSSARMS & OTHER LOAD BEARING ATTACHMENTS SHALL BE FIXED TO POLE VIA A 5mm FILLET WELD ALL ROUND (Ø) USING THE E41XX ELECTRODE
 - 4/ APPLY ONE COAT OF COLD GALV PAINT AROUND WELDED AREA

NOTE
ALL CROSSARMS AND OTHER LOAD BEARING ATTACHMENTS SHALL BE FIXED TO POLE VIA A 6mm FILLET WELD ALL ROUND (Ø) USING THE E41XX ELECTRODE

TAG	QTY	DESCRIPTION	
13	2	SINGLE SERVICE AL. TO Cu TYPE CSS	S01-02-01-01
12	4		S01-02-01-01
11	1	LV NEUTRAL LINE PIN INS. ASSY. TYPE LPN	S01-02-01-04
10	4	LV LINE PIN INSULATOR ASSY TYPE LP	S01-02-01-04
9	5	25x3x127mmLg F.M.S	4572
8	7.5mm	BUSBAR-EARTHING-Cu.25 x 4mm	
7	6	SADDLE-CONDUIT	N.S.I.
6	1	CLEAT-CABLE-UNISTRUT	
5	1	CABLE TERMINATION-HEATSHRINK-LV	
4	1	SUPPORT CHANNEL -UNISTRUT	S01-01-03-07
3	1	SERVICE TERMINATION ASSEMBLY	S01-01-01-09
2	1	CROSSARM-STEEL-LV-2290mmLg	S01-01-01-05
1	1	POLE-LINE-9m8	S01-01-01-02

NO	DESCRIPTION	DRN	DATE	CKD	APPD
6	SUPERSEDED	A.T.	DEC'12	B.C.	B.C.
5	REDRAWN IN CAD	C.C.	OCT'10	A.T.	S.C.
AMENDMENTS					



DES	A.TALYOR	POWER STANDARD DRAWING	
DRN	C.COPPINS	CABLE TERMINATION	
CKD	A.TALYOR	LV - UG/OH.	
APPD	A.TALYOR	A3	DRAWING NUMBER S01-02-04-01
SCALE	N.T.S.		
ISSUED	OCT'10		
ALL DIM. IN	mm		
DRAFTING STANDARD TO A.S.1100		CAD PRODUCT - DO NOT AMEND MANUALLY	



AMDT