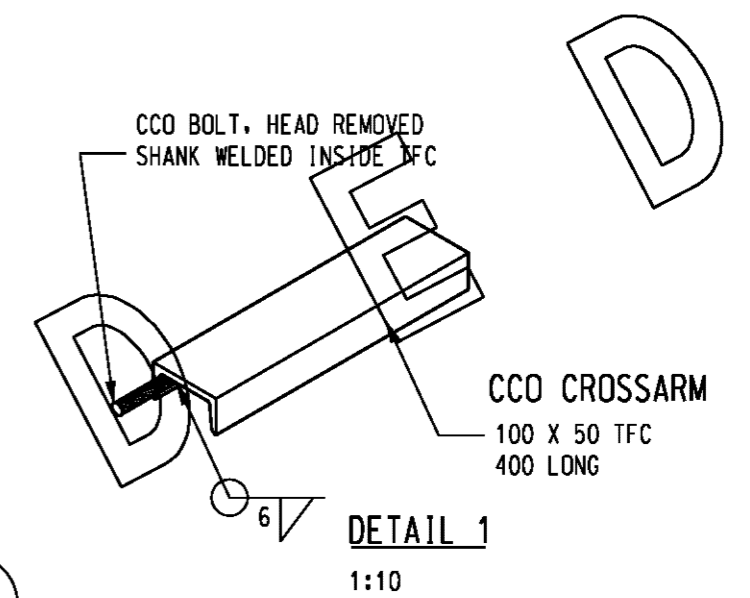
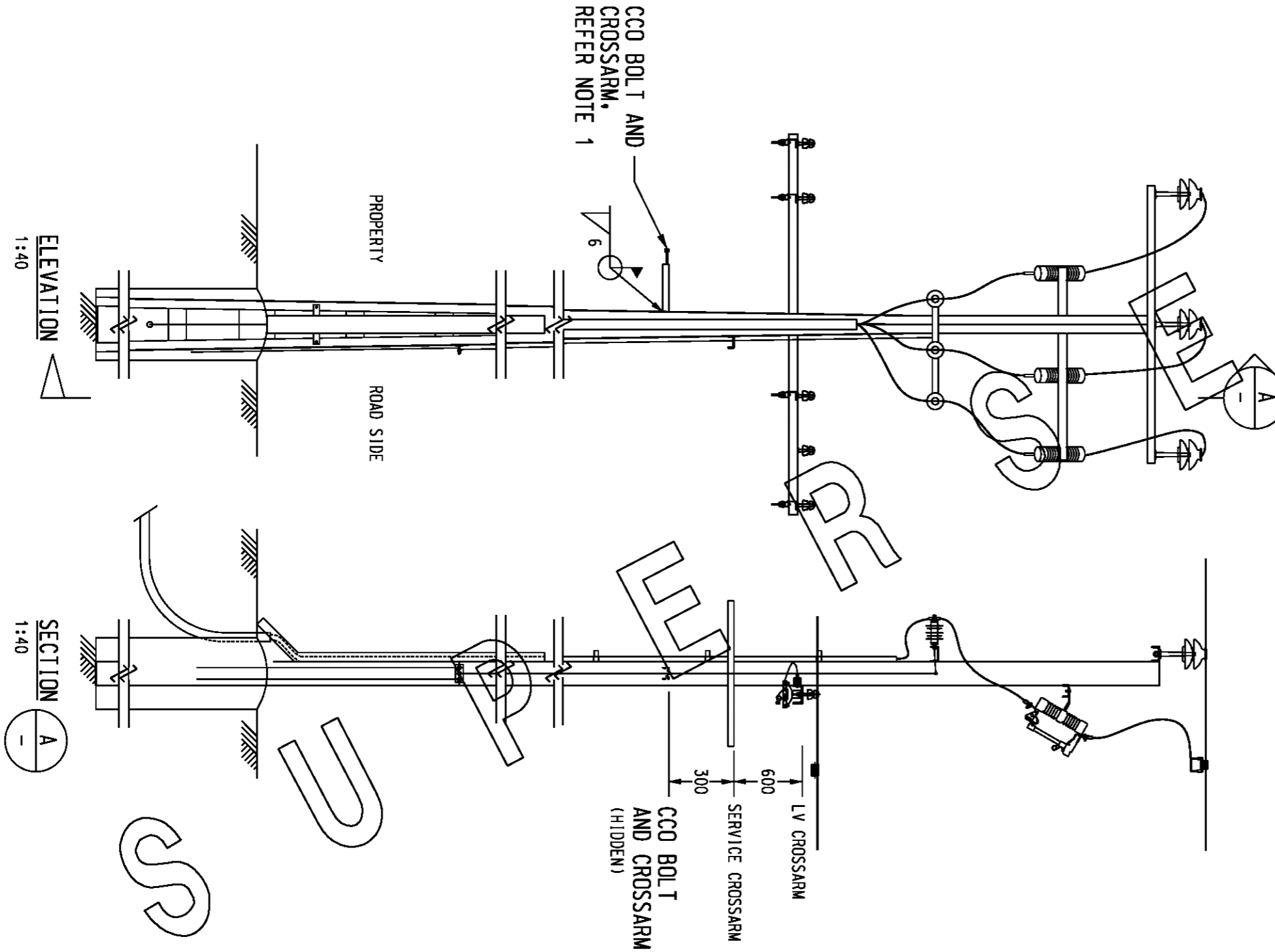


TYPICAL HV TERMINATION POLE CCO ATTACHMENT



NOTES:

1. CCO CABLE CANNOT BE ATTACHED TO HV TERMINATION POLE WITHOUT PRIOR APPROVAL BY PAWA.
2. CCO CROSSARM TO BE ATTACHED TO PROPERTY SIDE OF HV TERMINATION POLE BY APPROVED CCO PERSONNEL.
3. CCO CROSSARM TO BE LOCATED 900mm BELOW THE LOW VOLTAGE ARM WHEN THERE IS NO SERVICE ARM.
4. CCO SHALL NOT TERMINATE MAIN CABLES ON PAWA HV TERMINATION POLES.
5. 300mm MINIMUM CLEARANCE IS REQUIRED BETWEEN SERVICE ARM AND CCO BOLT AND CLAMP ATTACHMENT POINT. WHEN NON-INSULATED OR BARE CABLES AND FITTINGS ARE ATTACHED TO THE SERVICE CROSSARM OR POLE AND WORK IS TO BE PERFORMED AT OR NEAR THE CCO BOLT/CLAMP ATTACHMENT POINT, PAWA IS TO BE CONTACTED TO 'MAT UP' ALL LIVE COMPONENTS WITHIN 600mm OF THE WORK LOCATION.
6. CCO POWER SUPPLIES OR AMPLIFIERS ARE NOT TO BE ATTACHED TO HV CABLE TERMINATION POLES.

NO	DESCRIPTION	DRN	DATE	CKD	APPD
1	SUPERSEDED	A.T.	DEC'12	B.C.	B.C.
AMENDMENTS					



DES	M. BOCK	POWER STANDARD DRAWING		
DRN	R. INNES	<b>CCO (COMMUNICATION CABLE OWNER) TYPICAL ATTACHMENT POSITION HV CABLE TERMINATION POLE</b>		
CKD	M. BOCK			
APPD	F. ROBSON			
SCALE	1:40	A3	DRAWING NUMBER	S01-02-02-30
ISSUED	APRIL '97			
ALL DIM. IN mm				1
DRAFTING STANDARD TO A.S.1100			CAD PRODUCT - DO NOT AMEND MANUALLY	

