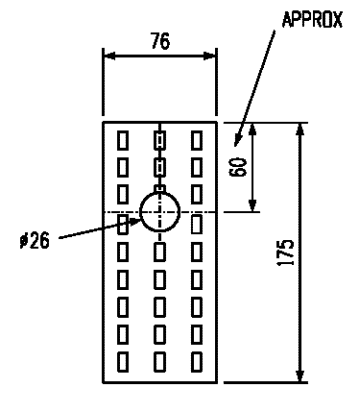
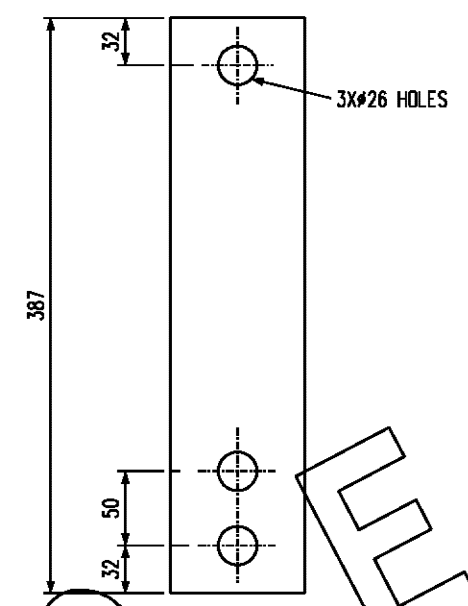


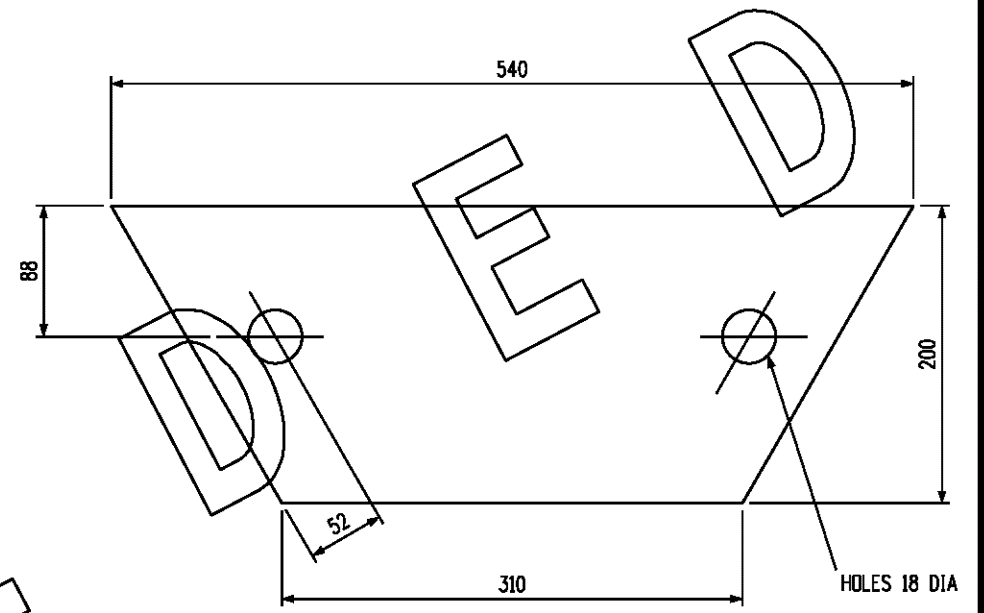
ITEM 1 STRAP SHACKLE-H.V.-TIMBER CROSSARM
100x10 F.M.S. STOCK CODE 9530



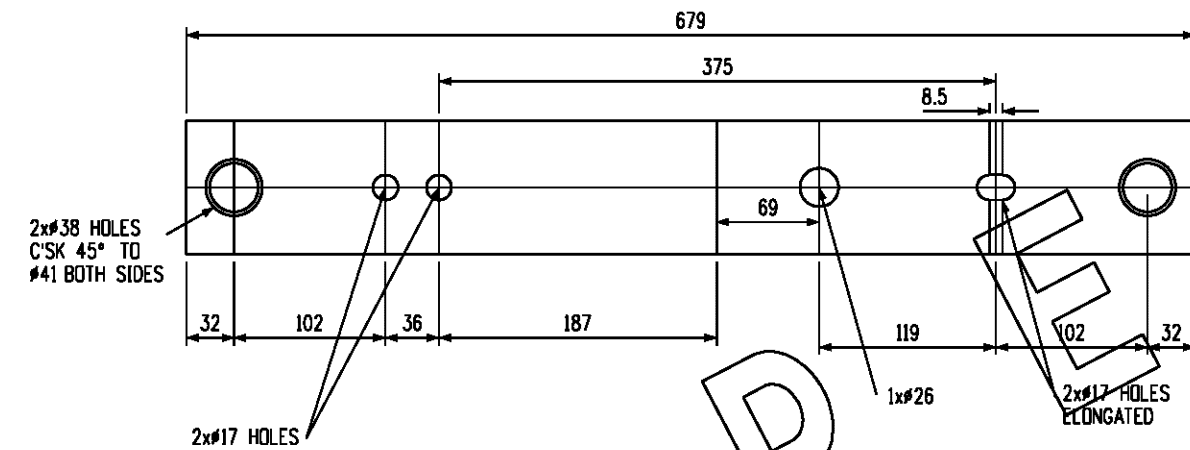
ITEM 3 SHUNT PLATE-HV-
TIMBER CROSSARM
14 GAUGE GALVABOND
N° OF NAILS-40 MIN
-80 MAX
STOCK CODE 12138



ITEM 4 SPACER-HV-TIMBER CROSSARM
100x10 F.M.S.
STOCK CODE 9332



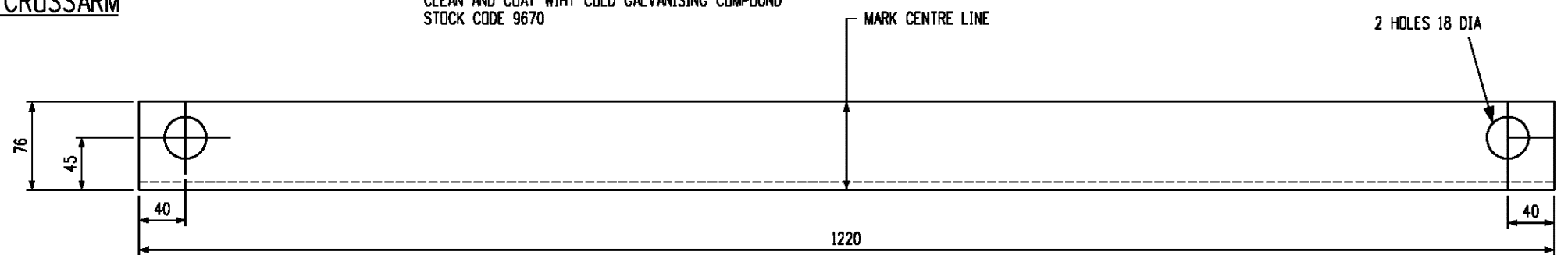
ITEM 5 SUPPORT BRACKET DETAIL
MATERIAL-10thk.M.S.PLATE
STOCK CODE 9662
CLEAN AND COAT WITH COLD GALVANISING COMPOUND



ITEM 2 STRAP SHACKLE-HV-TIMBER CROSSARM
100x10 F.M.S. STOCK CODE 9357
45° POLE TOP ONLY

R

ITEM 6 HORIZONTAL BRACE DETAIL
MATERIAL -102x76x10 M.S. ANGLE
CLEAN AND COAT WITH COLD GALVANISING COMPOUND
STOCK CODE 9670



NOTES

- REFER DRG.S01-01-02-04 FOR ASSOCIATED CROSSARM
- ALL ROUGH OR BURRED EDGES ARE TO BE DRESSED CLEAN

U P

NO	DESCRIPTION	DRN	DATE	CKD	APPD
9	SUPERSEDED	A.T.	DEC'12	B.C.	B.C.
8	REDRAWN IN CAD	C.C.	NOV'10	A.T.	S.C.
AMENDMENTS					



DES	A.TALYOR	POWER STANDARD DRAWING	
DRN	C.COPPINS	LINE HARDWARE	
CKD	A.TALYOR	1 TIMBER CROSSARM ACCESSORIES	
APPD	A.TALYOR	SHACKLE STRAP	
SCALE	1:5	SHUNT PLATE & BRACES	
ISSUED	NOV'10	A3	DRAWING NUMBER S01-01-04-14
ALL DIM. IN	mm		
DRAFTING STANDARD TO A.S.1100		CAD PRODUCT - DO NOT AMEND MANUALLY	

