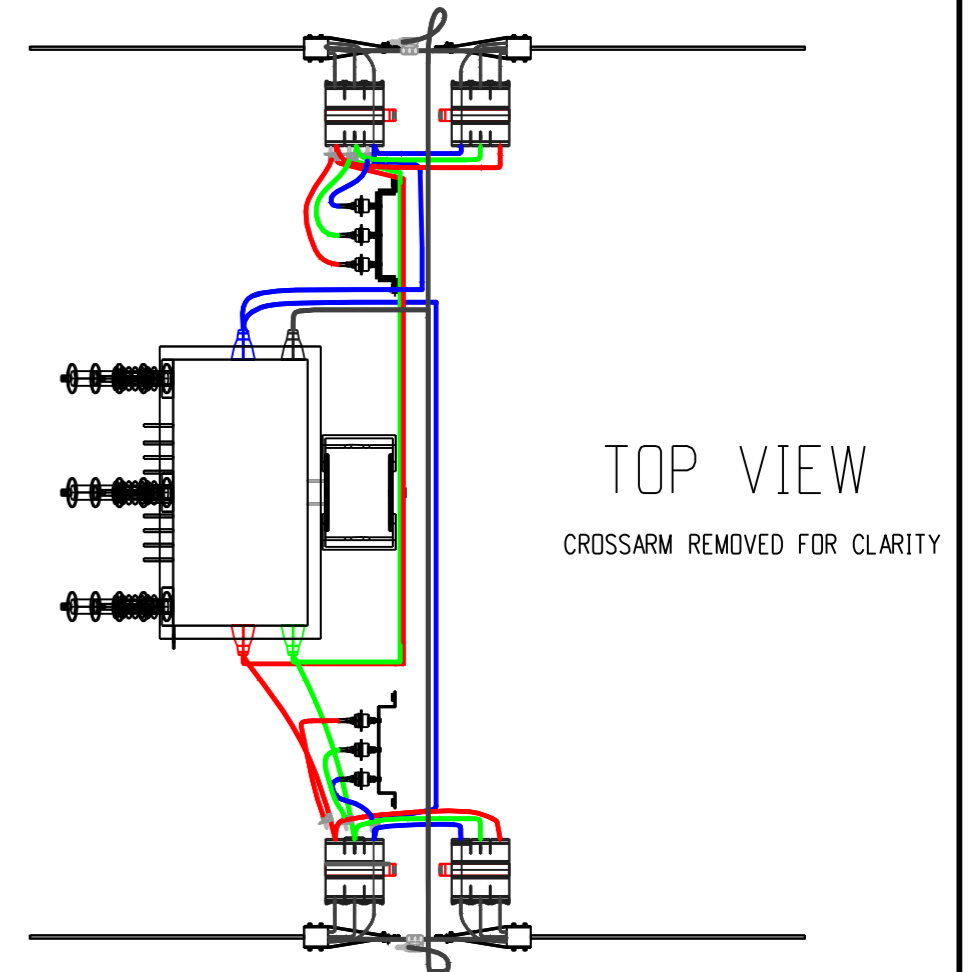
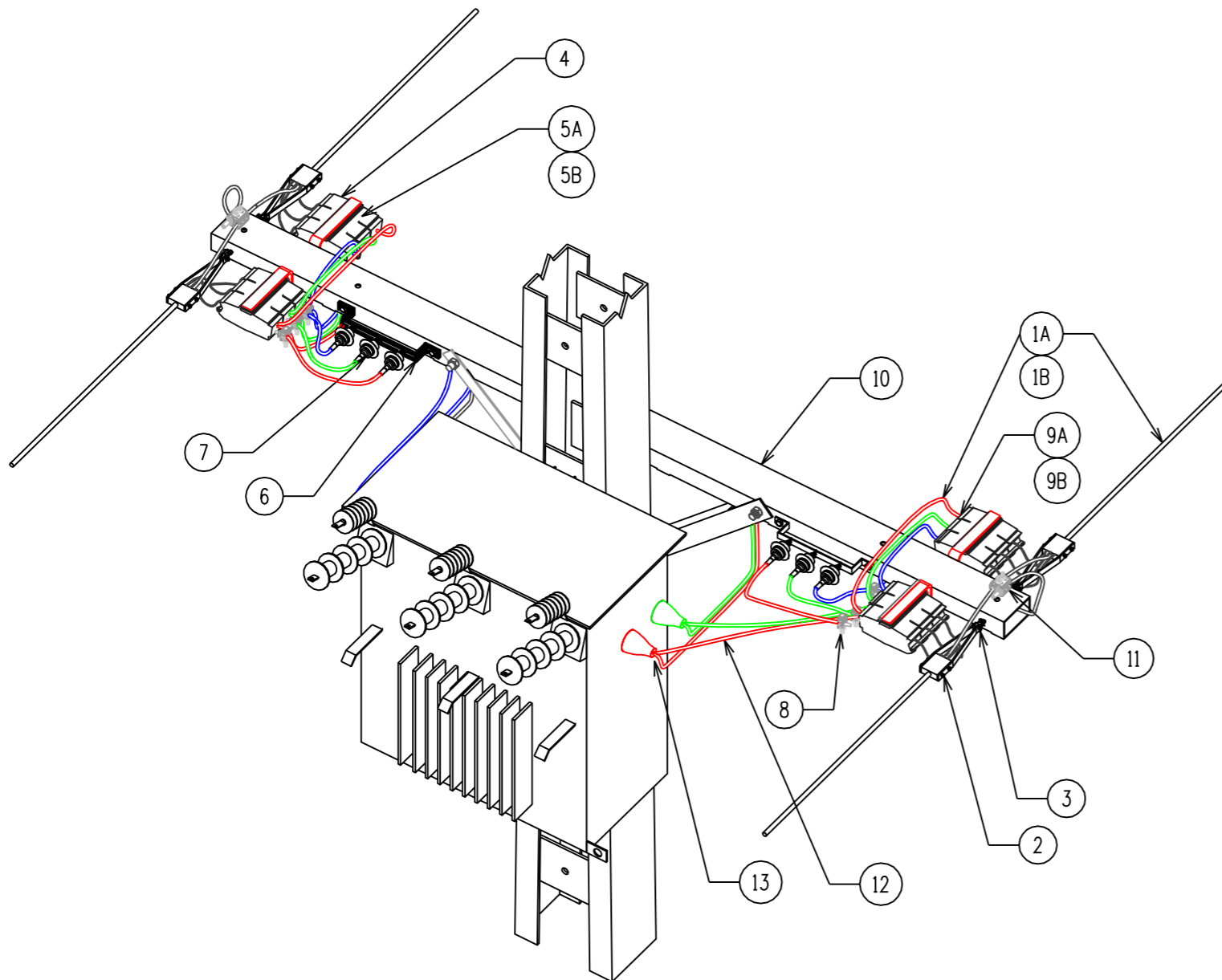


NOTES:

1. A) WHERE 95SQMM LV-ABC IS USED THE MAXIMUM TRANSFORMER SIZE IS 500KVA.  
B) WHERE 150SQMM LV-ABC IS USED THE MAXIMUM TRANSFORMER SIZE IS 500KVA.
2. LV SURGE ARRESTOR TAILS SHALL BE AS SHORT AS POSSIBLE.
3. TRANSFORMER ACTIVE TAILS SHALL BE COLOR CODED AT BOTH ENDS WITH COLORED HEATSHRINK.
4. WHERE TRANSFORMER ACTIVE TAILS CROSS TO THE OTHER SIDE OF THE TRANSFORMER, THE CABLES SHALL BE RUN UNDER THE CROSSARM AND SUPPORTED BY THE CROSSARM REINFORCING BRACES.
5. NEUTRAL CABLE SHALL BE LV-ABC, ACTIVE PHASE CABLE BETWEEN THE TRANSFORMER BUSHING AND THE FIRST FUSE -SWITCH BOX SHALL BE 150SQMM COPPER FELX.



13	12	BELL MOUTHED LUGS FOR 150SQMM FLEX CABLE	402692	S02-01-02-11
12	AR	150SQMM FLEX COPPER CABLE	300368	S02-01-01-34
11	2	INSULATION PIERCING CONNECTOR 185/150	415587	S04-01-02-15
10	1	LV-ABC TERMINATION CROSSARM	406823	S04-01-02-19
9B	14	INSULATED CRIMP LUG FOR 150SQMM LV-ABC	415589	S04-01-02-18
9A	14	INSULATED CRIMP LUG FOR 95SQMM LV-ABC	407378	S04-01-02-18
8	6	INSULATION PIERCING CONNECTOR 150/35	415586	S04-01-02-15
7	6	LV SURGE ARRESTOR	10041	S01-01-04-20
6	2	LV SURGE ARRESTOR MOUNTING BRACKET	214932	S01-01-04-27
5B	12	250A SIZE 1 LV DIN FUSE	11702	S02-01-04-10
5A	12	200A SIZE 1 LV DIN FUSE	9712	S02-01-04-10
4	4	250A FUSE/SWITCH DISCONNECTOR	255943	S04-01-03-05
3	4	M16 HOOK BOLT, NON -BREAKAWAY ASSEMBLY	-	S04-01-02-07
2	4	LV ABC STRAIN CLAMP, 4 x 95/4 x 150 sq.mm	415585	S04-01-02-11
1B	AR	CABLE LV ABC, 4 x 150 sq.mm	415591	S04-01-01-01
1A	AR	CABLE LV ABC, 4 x 95 sq.mm	197665	S04-01-01-01
ITEM	QTY	DESCRIPTION	ITEM No	DWG No.

MATERIAL SCHEDULE

4	TITLEBLOCK & DRAWING NUMBER FORMATTED	K.T.	DEC'19	C.C.	C.C.
3	TITLE AND DRAWING UPDATED TO QUAD CIRCUIT ARRANGEMENT	C.C.	SEP'12	A.T.	S.C.
2	NOTE 2 AMENDED TO 160A FUSES	gmck	JUN'92	N.S.	B.T.K.
1	DRAWING REFERENCE FOR TAG 5 REVISED	gmck	MAY'91	N.S.	-
NO	DESCRIPTION	DRN	DATE	CKD	APPD
AMENDMENTS					



DES	A.TAYLOR	POWER STANDARD DRAWING			
DRN	C.COPPINS	LV-ABC SUBSTATION CABLE CONNECTION QUAD CIRCUITS			
CKD	A.TAYLOR				
APPD	B.CHEUNG				
SCALE	N.T.S.				
ISSUED	SEP'12	A3	DRAWING NUMBER	S04-02-04-04	
ALL DIM.	IN mm			4	
DRAFTING STANDARD TO A.S.1100			CAD PRODUCT - DO NOT AMEND MANUALLY		AMDT