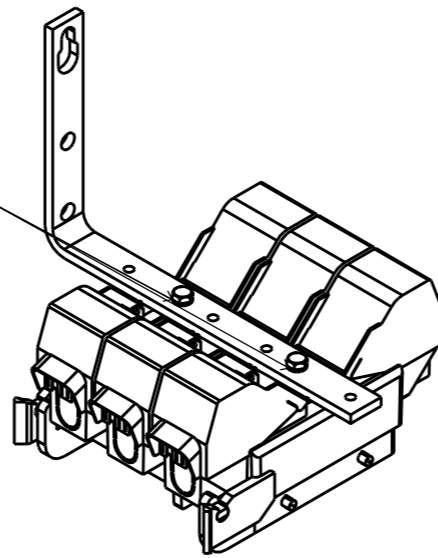
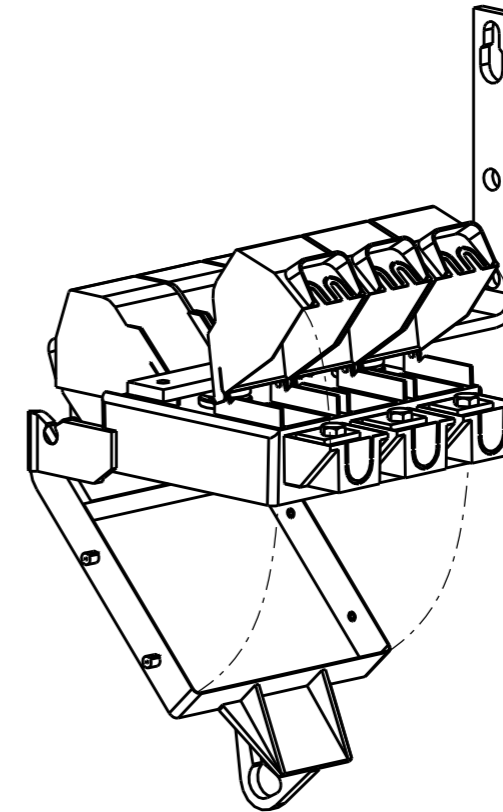


TOP VIEW
1:5

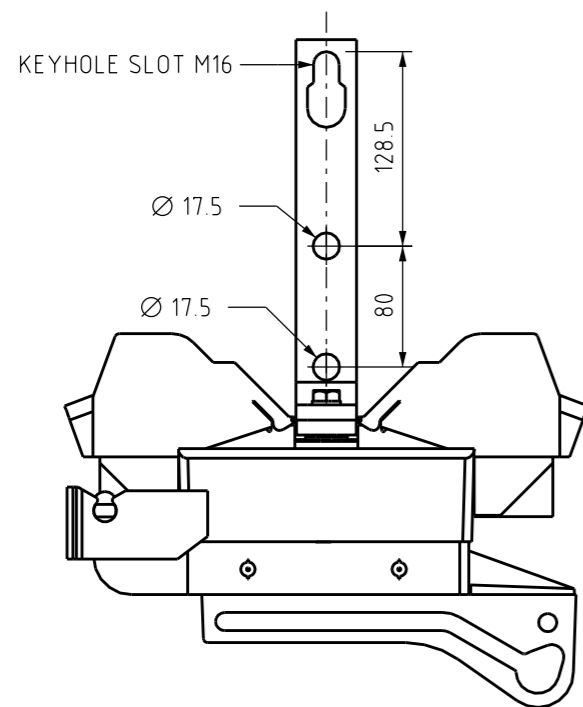
2 OFF M10 MOUNTING STUDS WITH NUTS AND WASHERS



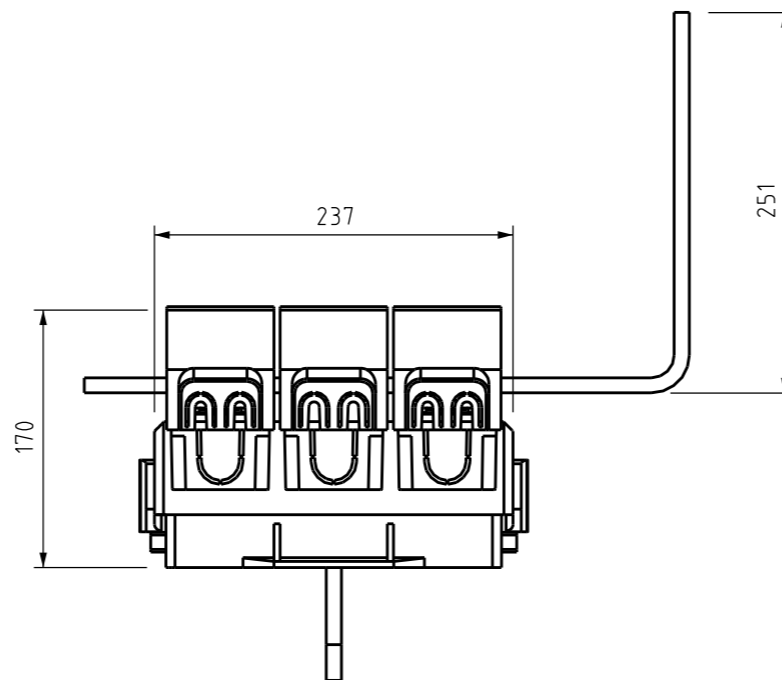
ISOMETRIC VIEW
N.T.S.



ISOMETRIC VIEW OPEN
N.T.S.



FRONT ELEVATION
1:5



SIDE ELEVATION
1:5

ITEM	ITEM NUMBER	DESCRIPTION
2	258210	LINK BLADE 250 A 500 V AC SIZE 1 DIN 43-620
1	11072	CARTRIDGE STRIPLE FUSE 250 A FAST ACTING 500 V AC SIZE 1 DIN 43-620

NOTES:

- UNIT SHALL BE FITTED WITH M12 STUD TO TERMINATE LUGGED CABLES. THE CABLE BOX SHALL BE CAPABLE OF ACCEPTING TWIN 95SQMM XLPE CABLES.
- UNIT SHALL ACCEPT SIZE 1 OR SIZE 2 FUSES/LINKS.
- FUSE SWITCH DISCONNECTORS SHALL COMPLY WITH AS3947.3
- UTILIZATION CATEGORY IS AC-22B
- DIMENSIONS ARE TYPICAL AND MAY VARY
- THE CONNECTIONS ARE SUITABLE FOR:
ABC: 2 x 95mm², OR 1 x 150mm² PER PHASE
UNDERGROUND: 1 x 240mm² MAX.
- FOR INSTALLATION ON "WELDED POLE" UTILISE LV SERVICE CROSSARM, AND CROSSARM BRACKET AS PER STANDARD DRAWINGS S04-01-02-03, ITEM NUMBER 260174.

ABC FUSE LINK BOX 400A
ITEM NUMBER:255943

NO	DESCRIPTION	DRN	DATE	CKD	APPD
6	ADD NOTE 7, UPDATED ITEM NUMBER AND BRACKET HOLE AND MOUNTING STUD DETAILS.	C.C.	JAN'21	B.V.	B.C.
5	UPDATED IMAGERY.	C.C.	MAY'20	B.C.	B.V.
4	TITLEBLOCK & DRAWING NUMBER FORMATTED	C.W.M.	FEB'20	B.V.	H.E.
3	TITLEBLOCK & DRAWING NUMBER FORMATTED	K.T.	DEC'19	C.C.	C.C.
2	NOTE 3 AMENDED, NOTE 4, 5, 6, 7 ADDED	A.T.	JUL'12	B.N.	B.C.
1	REDRAWN IN CAD, NOTE 3 ADDED, NOTE 1 AMENDED	J.A.L.	JUN'95	S.C.M.	P.J.D.



DES		POWER STANDARD DRAWING	
DRN	G.R.	SWITCHGEAR	
CKD	PMC	LV-ABC	
APPD	C.H.Y.	COMBINATION 400 AMP MAX.	
SCALE	1:5	FUSE-SWITCH-DISCONNECTOR	
ISSUED	FEBRUARY 1994	A3	DRAWING NUMBER S04-01-03-05
ALL DIM. IN mm			
DRAFTING STANDARD TO A.S.1100		CAD PRODUCT - DO NOT AMEND MANUALLY	

