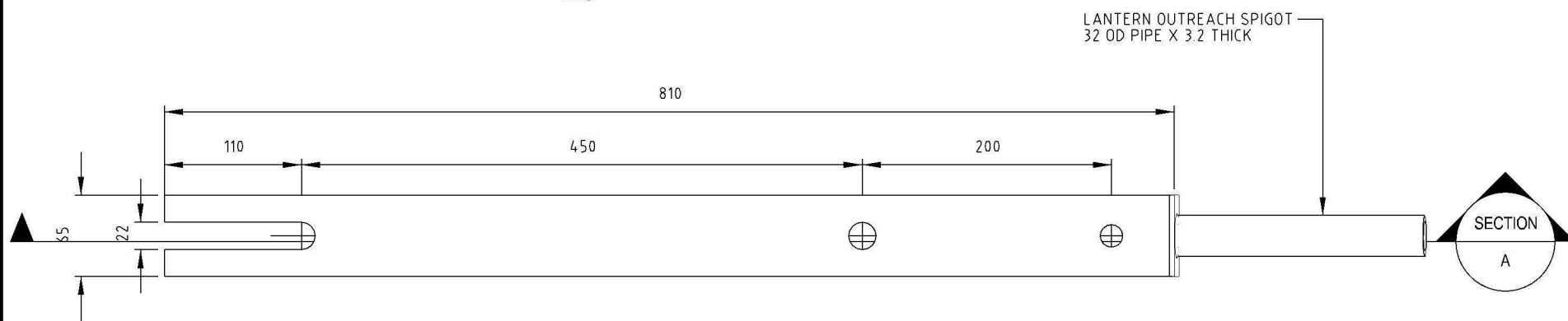


SIDE ELEVATION

1:2.5



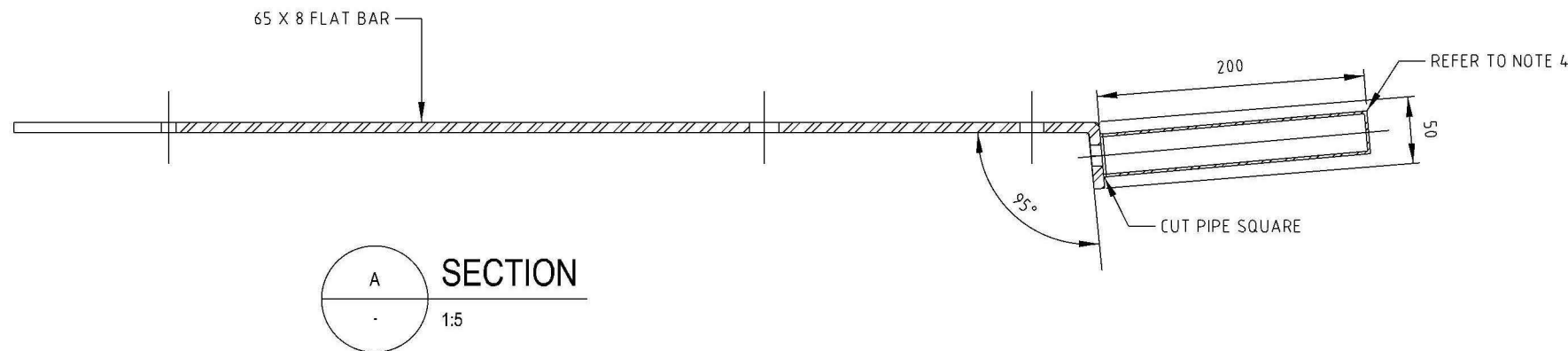
PLAN VIEW

1:5

ISOMETRIC VIEW

1:5

**ITEM 1 - LANTERN OUTREACH BRACKET
(ITEM NUMBER - 115105)**



SECTION A
1:5

NOTES:

1. ALL WORKMANSHIP AND MATERIALS SHALL BE IN ACCORDANCE WITH AS3678.
2. ALL WELDING AND WELD PREPARATION SHALL BE IN ACCORDANCE WITH AS1554. FILLET WELDS TO BE 6mm UNO.
3. ALL ROUGH OR BURRED EDGES ARE TO BE DRESSED CLEAN.
4. SPIGOT ANGLE TO BE SET FOR 5° UPCAST.
5. OUTREACH MOUNTING PLATE SHALL BE INSTALL FLUSH WITH LV CROSSARM.
6. MAXIMUM WEIGHT LIMIT OF 10kg.

16	TITLEBLOCK & DRAWING NUMBER FORMATTED	K.T.	FEB'19	C.C.	C.C.
15	NOTE 5 & 6 ADDED	C.C.	OCT'18	B.V.	B.C.
14	CHANGE MANUFACTURING TECHNIQUE.	R.G.I	JUN'98	-	F.R.R.
NO	DESCRIPTION	DRN	DATE	CKD	APPD
AMENDMENTS					



DES	R.HAIGH	POWER STANDARD DRAWING			
DRN	GMCK	BRACKET LANTERN OUTREACH LV CROSSARM			
CKD	T.M-L				
APPD	B.T.K.				
SCALE	AS SHOWN				
ISSUED	FEB 1985	A3	DRAWING NUMBER	S03-01-03-02	
ALL DIM.	IN mm			16	
DRAFTING STANDARD TO A.S.1100			CAD PRODUCT - DO NOT AMEND MANUALLY		AMDT