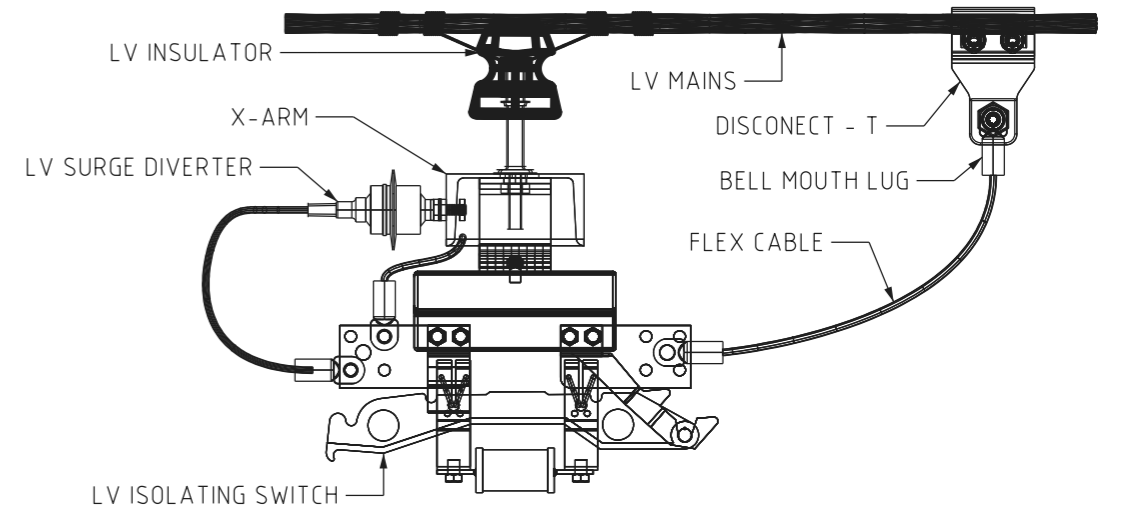


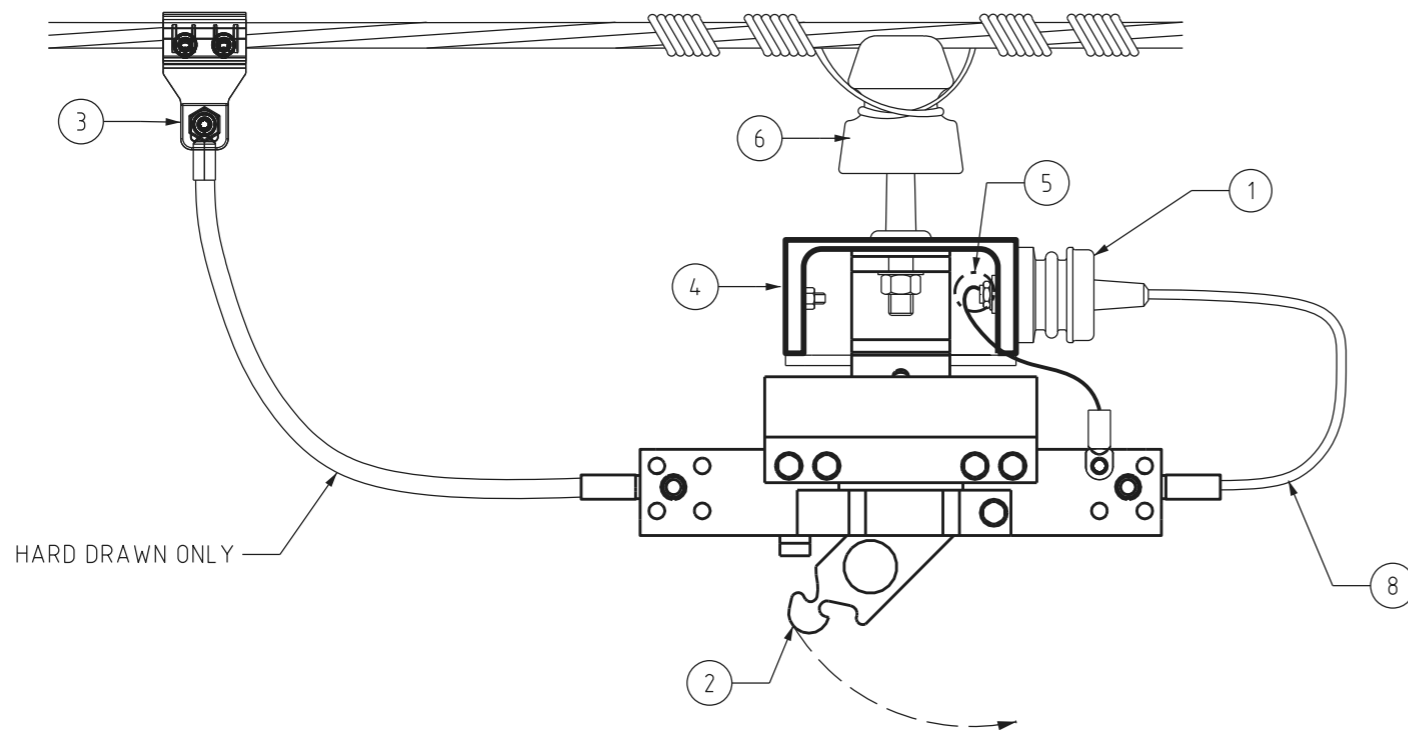
LV CROSSARM TRANSFORMER ARRANGEMENT



A SECTION A LV FUSED ISOLATOR SOLUTION
- N.T.S.

ITEM	QTY	DESCRIPTION	ITEM NUMBER	DRG No.
9	1	CLAMP, NEUTRAL BOND	2147	S01-01-04-17
8	AR	CABLE LV FLEXIBLE SINGLE CORE	-	S01-02-06-01
7	1	LV NEUTRAL LINE PIN ASSEMBLY TYPE LPN	-	S01-02-01-03
6	4	LV LINE PIN ASSEMBLY TYPE LP	-	S01-02-01-03
5	AR	70SQMM Y/GR INSULATED COPPER CABLE	401059	S01-01-01-23
4	1	TRANSFORMER & CABLE TERMINATION CROSSARM	406610	S01-01-02-20
3	4	TEE CLAMP	2295	S01-01-04-10
2	3	LV ISOLATING SWITCH	-	S01-01-06-08 S01-01-06-01
1	3	LV SURGE DIVERTER	10041	S01-01-04-20

MATERIAL SCHEDULE



A SECTION A LV LINK SOLUTION
- N.T.S.

NOTES:

- LV FUSED ISOLATORS TO BE INSTALLED ON SUBSTATIONS 200kVA AND BELOW.
- 400A ISOLATOR WITH BOLTED CONNECTION IS SHOWN. LUG CONNECTION IS USED ON 800A ISOLATOR. REFER TO DRAWING S01-02-06-01 FOR APPROPRIATE ISOLATOR/LUG AND CABLE SIZES.
- REFER TO S01-01-06-08 FOR ISOLATION FUSE SWITCH ITEM NUMBERS. REFER TO S01-01-06-01 FOR ISOLATING SWITCH ITEM NUMBERS.
- 500kVA TRANSFORMERS REQUIRE TWIN PG OR TWIN DISCONNECT-T CLAMPS AND TWIN TAILS BETWEEN THE LV SWITCH AND OVERHEAD MAINS.
- ALL LV CABLES SHALL RUN UNDER THE CROSSARM AND BE SUPPORTED BY AT LEAST ONE REINFORCING PLATE. WHITE PHASE AND NEUTRAL CABLES WHICH CROSS OVER TO THE OPPOSITE SIDE OF THE POLE CAN PASS UNDER THE CROSSARM MOUNTING KINGBOLT AND CENTRAL REINFORCING PLATE.
- LV SURGE DIVERTER TAILS SHALL BE OF MINIMUM LENGTH.
- THICK WALLED MASTIC LINED HEATSHRINK SHALL BE USED ON ALL LUGGED CONNECTIONS COVERING THE CRIMP AREA AND 50mm OF THE CABLE. COLORED HEATSHRINK SHALL BE APPLIED ON TOP FOR PHASE IDENTIFICATION, REFER TO S02-02-02-10 "DETAIL OF JOINT - CRIMP LUG". TAPES SHALL NOT BE USED AS PHASE IDENTIFICATION.
- TAILS FROM THE LV LINKS SHALL CONNECT TO THE LV MAINS ON THE OPPOSITE SIDE OF THE POLE TO THE TRANSFORMER.
- LV LINKS SHALL OPEN SO THAT THE OPEN BLADE IS NOT CONNECTED TO THE TRANSFORMER.

NO	DESCRIPTION	DRN	DATE	CKD	APPD
17	AMENDED IMAGERY OF LV LINK SOLUTION & NOTE 4.	C.C.	APR'22	B.V.	B.C.
16	PG CLAMP REMOVED	C.C.	OCT'20	B.V.	B.C.
15	TITLEBLOCK & DRAWING NUMBERS FORMATTED	K.T.	JAN'19	C.C.	C.C.
14	NOTES 8 AND 9 ADDED	A.T.	JUL'14	B.C.	B.C.
13	ITEM 5 UPDATED, PHASING AND CABLING UPDATED, NOTES UPDATED	C.C.	APR'12	A.T.	S.C.
12	LV SWITCH UPDATED, ALTERNATIVE SECTION "A" ADDED	J.C.	APR'09	A.T.	S.C.
11	NEUTRAL BOND REMOVED IN SECTION A	J.C.	NOV'08	B.C.	S.C.
10	ITEM 4 : STOCK CODE CHANGED	A.S.	APR'07	R.S.	S.C.
9	REDRAWN AND NOTE 1 AMENDED	RGI	APR'01	-	FRR
8	MATERIAL LIST AND NOTES AMENDED	JAL	MAY'95	SCM	PJD



DES -		POWER STANDARD DRAWING		
DRN	R.T.F	SUBSTATIONS, POLE MOUNTED LV TERMINATIONS GENERAL ARRANGEMENT		
CKD	N.S.	A3	DRAWING NUMBER	S01-02-06-05
APPD	B.K.			
SCALE	N.T.S.	DRAWING NUMBER S01-02-06-05		
ISSUED	FEB'91	DRAWING NUMBER S01-02-06-05		
ALL DIM.	IN mm	DRAWING NUMBER S01-02-06-05		
DRAFTING STANDARD TO A.S.1100		CAD PRODUCT - DO NOT AMEND MANUALLY		