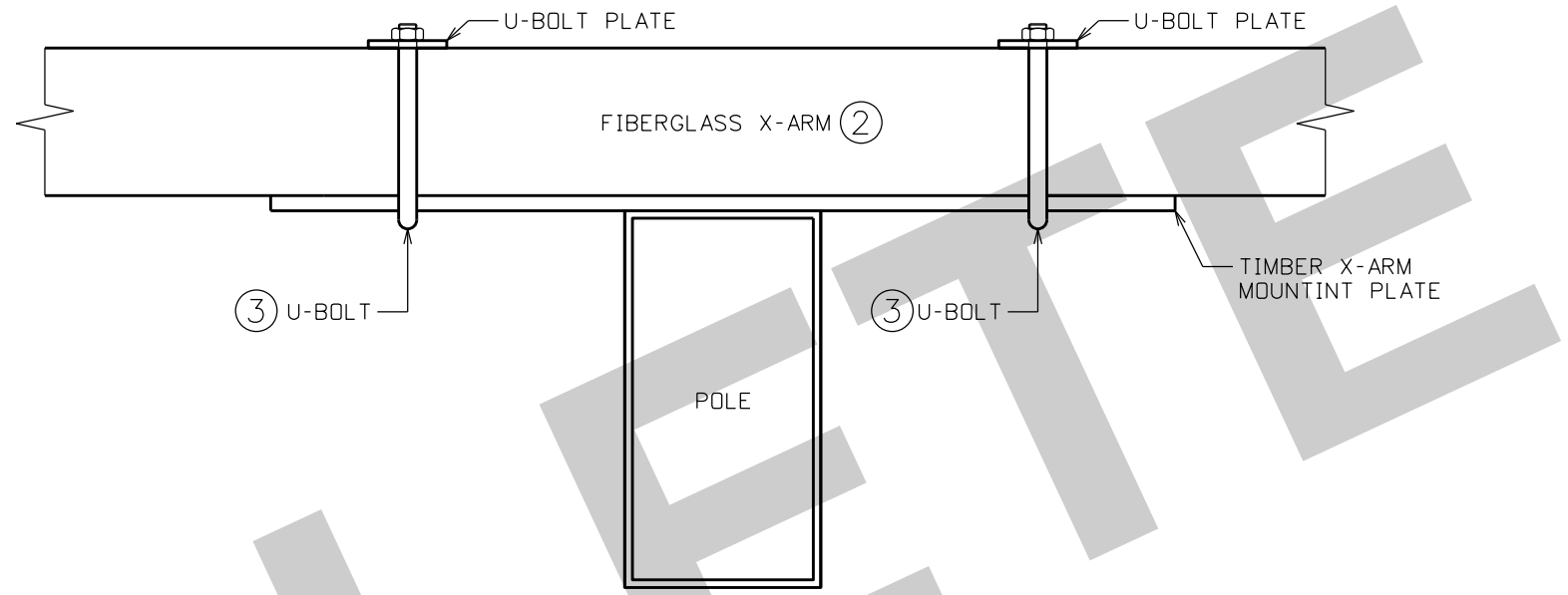


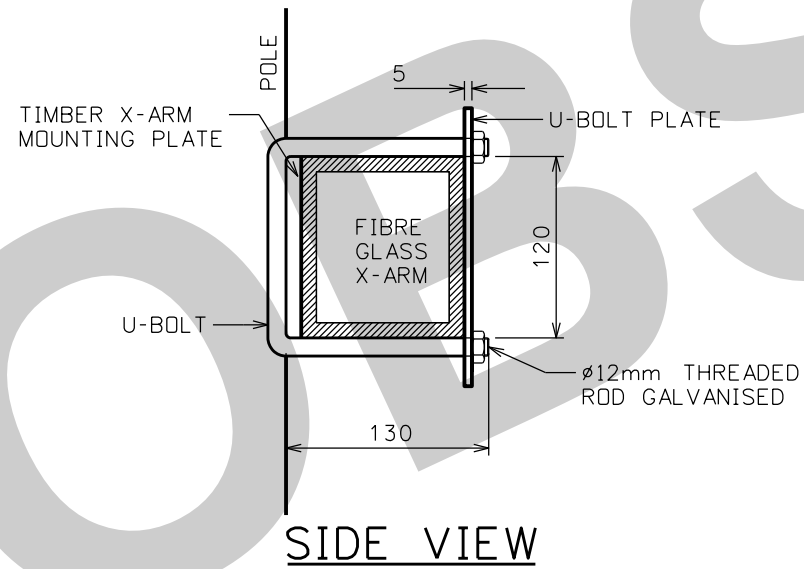
QTY	T-G	DESCRIPTION	STOCK CODE	DWG No.
2	3	U-BOLT, NUT, PLATE	-	-
1	2	FIBERGLASS ARM	-	S01-1-2-10
1	1	TIMBER X-ARM BRACKET	9274	S011-4-06

NOTE:

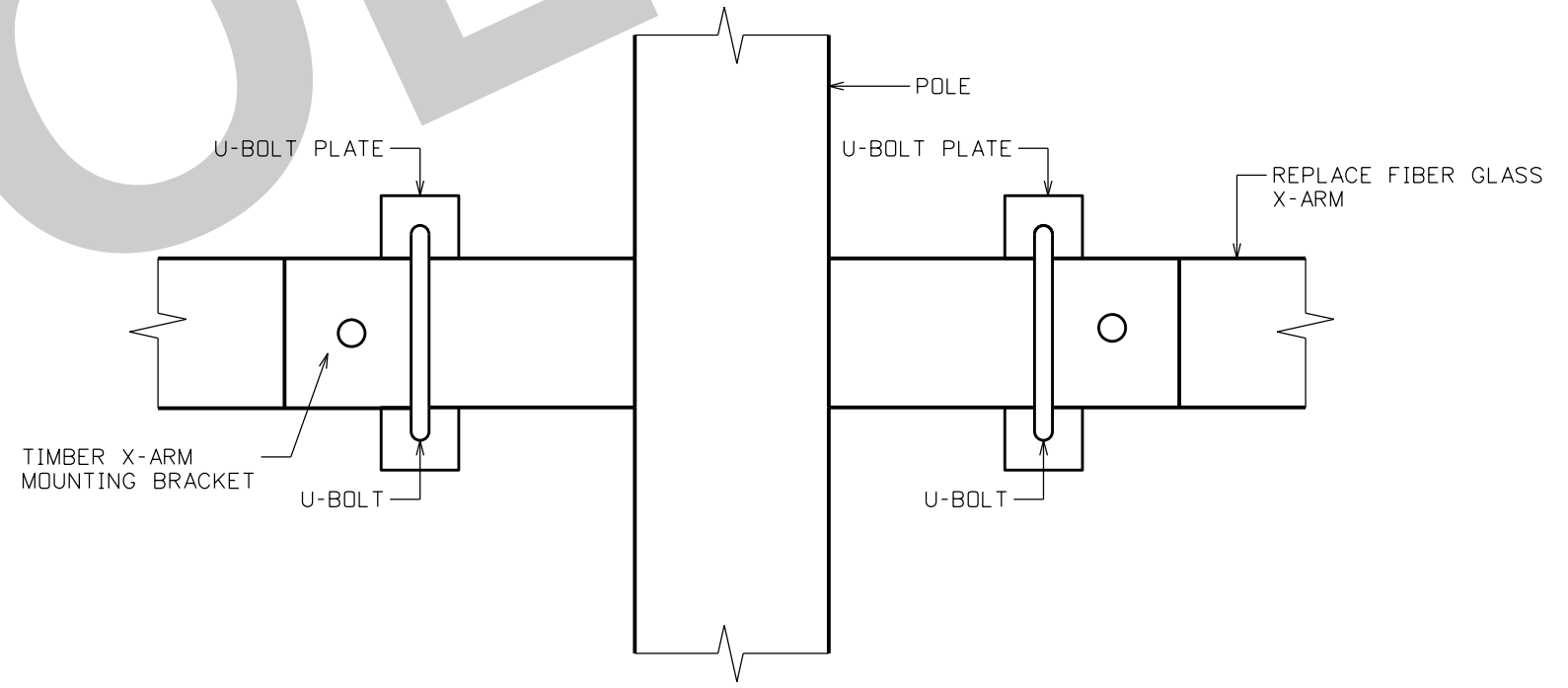
1) NOT FOR F/G TERMINATION -RMS



TOP VIEW



SIDE VIEW



FRONT VIEW

NO	DESCRIPTION	DRN	DATE	CKD	APPD
1	MARKED OBSOLETE	I.B.	JUN'17	I.B.	B.C.
0	ISSUED FOR CONSTRUCTION	J.C.	MAY'08	A.T.	S.C.
AMENDMENTS					



DES	A. TAYLOR	WATER STANDARD DRAWING	
DRN	J. COPPINS	POLE STRUCTURE	
CKD	A. TAYLOR	CONVERSION OF WOODEN ARMS	
APPD	S.C.	TO FIBREGLASS ARMS	
SCALE	1:5	A3	DRAWING NUMBER S01-2-2-39
ISSUED	MAY'08		
ALL DIM. IN mm			
DRAFTING STANDARD TO A.S.1100		CAD PRODUCT - DO NOT AMEND MANUALLY	

