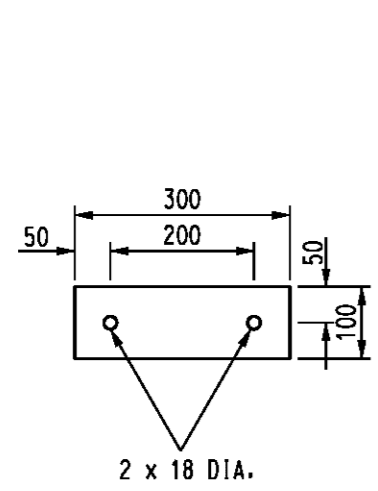
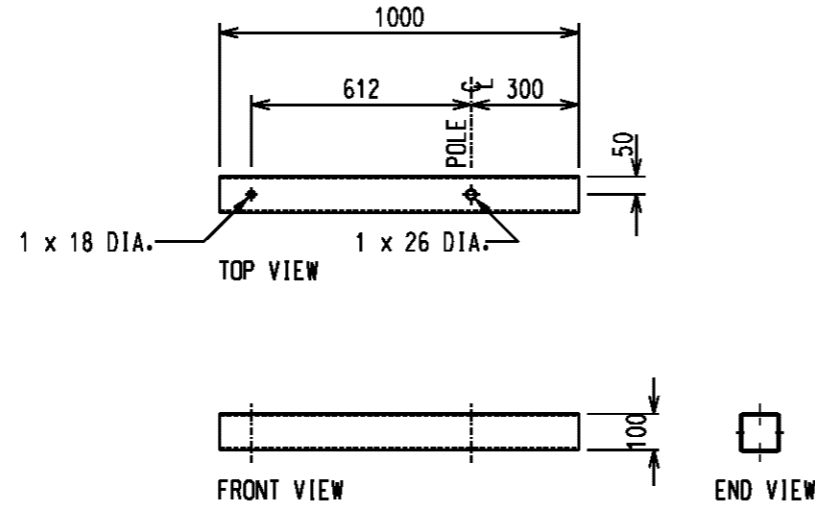


NULEC RECLOSER MOUNTING BRACKET
 DETAIL 'A'
 SCALE 1:20

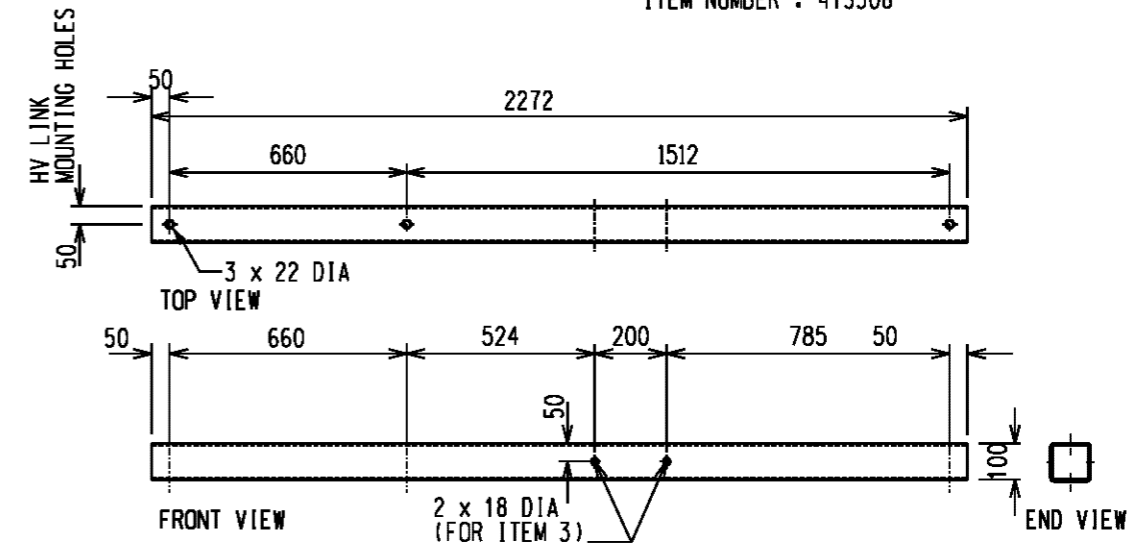
HV SURGE DIVERTER/LINK X-ARM ASSEMBLY
 ITEM NUMBER : 413506



ITEM 3 (2 OFF)
 MATERIAL: 100 x 6 x 300 DURAGAL FL



ITEM 2 (1 OFF)
 MATERIAL: 100 x 100 x 5 DURAGAL RHS



ITEM 1 (2 OFF)
 MATERIAL: 100 x 100 x 3 DURAGAL RHS

| 7 | TITLEBLOCK & DRAWING NUMBER FORMATTED | K.T. | JAN'19 | C.C. | C.C. |
|------------|--|------|----------|------|------|
| 6 | HV LINK X-ARM ASSEMBLY AMENDED | ACS | 10/12/14 | B.C. | B.C. |
| 5 | HV LINK X-ARM ASSEMBLY AMENDED | C.C. | 22/9/14 | B.C. | B.C. |
| 4 | HV LINK ADDED TO TITLE | A.T. | AUG'12 | B.N. | S.C. |
| 3 | SURGE DIVERTER CROSSARM STOCK CODE ADDED | A.T. | JUL'11 | B.N. | S.C. |
| 2 | TOP VIEW ITEM 1 : HOLES 14 DIA. CHANGED TO 22 DIA. | A.S. | FEB'06 | C.C. | C.C. |
| 1 | ADD DETAIL B | K.T. | AUG'05 | C.C. | C.C. |
| 0 | ISSUED FOR CONSTRUCTION | A.S. | | M.B. | M.B. |
| NO | DESCRIPTION | DRN | DATE | CKD | APPD |
| AMENDMENTS | | | | | |



| | | | | |
|-------------------------------|--------------|---|----------------|--------------|
| DES | C.CAMILLERI | POWER STANDARD DRAWING | | |
| DRN | A.SCHMID | ASSEMBLIES FOR UNIVERSAL POLE CONSTRUCTION HV SURGE DIVERTER/LINK X-ARM & RECLOSER BRACKET | | |
| CKD | M. BOCK | | | |
| APPD | M. BOCK | | | |
| SCALE | 1:40 (ON A3) | | | |
| ISSUED | | A3 | DRAWING NUMBER | S01-02-01-39 |
| ALL DIM. | IN mm | | | 7 |
| DRAFTING STANDARD TO A.S.1100 | | CAD PRODUCT - DO NOT AMEND MANUALLY | | AMDT |