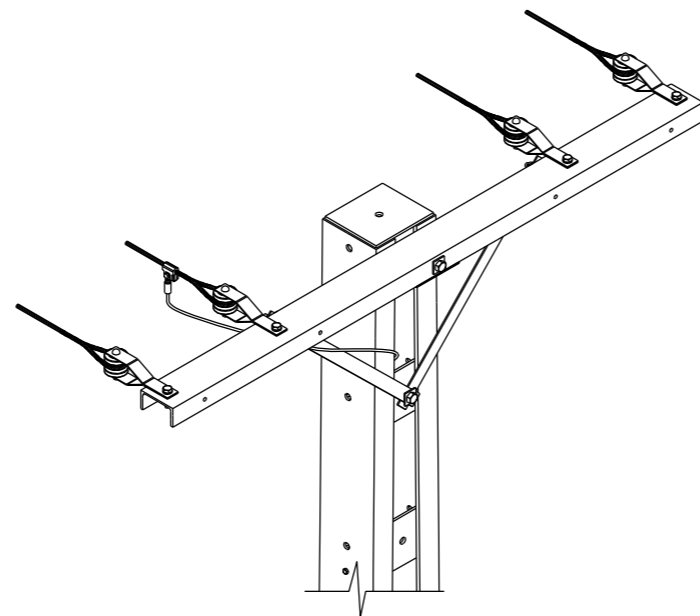
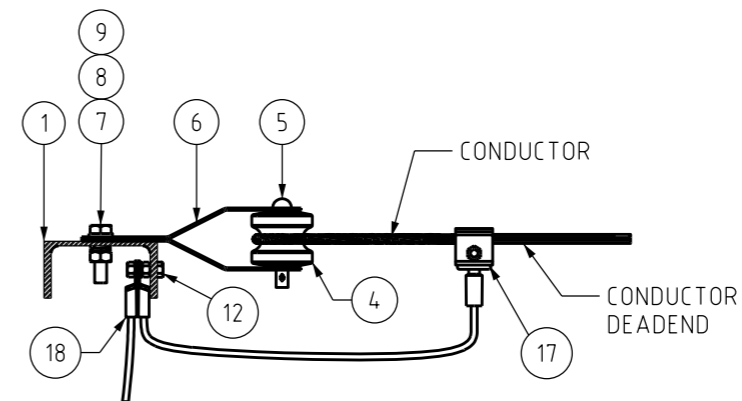


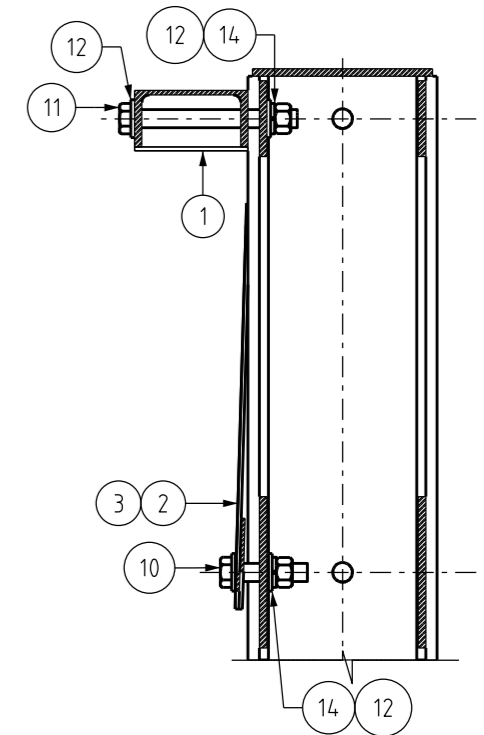
PLAN VIEW
1:25



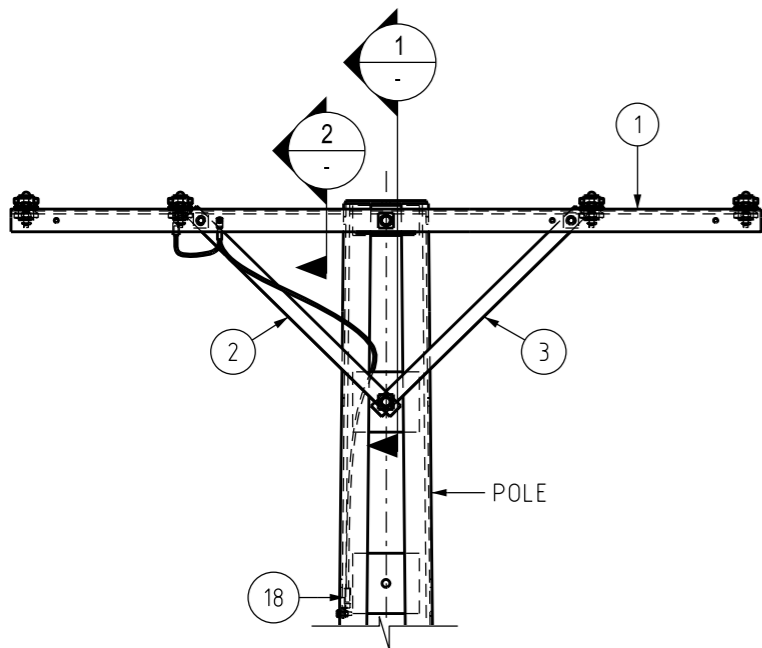
ISOMETRIC VIEW
N.T.S.



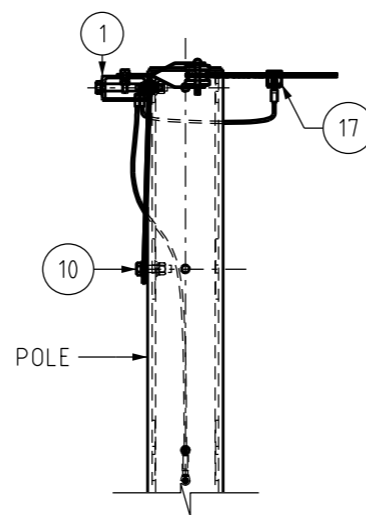
SECTION 2
1:10



SECTION 1
1:10



FRONT ELEVATION
1:25



SIDE ELEVATION
1:25

ITEM	QTY	DESCRIPTION	ITEM NUMBER	DWG NUMBER
19	2	M12 40mm BOLT & NUT	503669	S01-01-04-43
18	2	LUG	-	-
17	1	NEUTRAL BOND CLAMP	-	S01-01-04-17
16	2	M16 SQUARE WASHER	114348	S01-01-04-43
14	2	M24 SPRING WASHER	114330	S01-01-04-43
12	4	M24 SQUARE WASHER	298828	S01-01-04-43
11	1	M24 x 220mm BOLT & NUT	400803	S01-01-04-43
10	1	M24 x 100mm BOLT & NUT	400800	S01-01-04-43
9	2	M16 ROUND WASHER	113985	S01-01-04-43
8	2	M16 SPRING WASHER	114322	S01-01-04-43
7	2	M16 x 65mm BOLT & NUT	211144	S01-01-04-43
6	4	SHACKLE STRAP	3186	S01-01-04-16
5	4	PIN FOR SHACKLE STRAP TYPE	12112	S01-01-04-16
4	4	LV SHACKLE INSULATOR	3293	S01-01-03-01
3	1	ANGLE CROSSARM BRACE	400815	S01-02-01-49
2	1	CROSSARM BRACE	298687	S01-02-01-49
1	1	LV - TERMINATION 4 WIRE CROSSARM	500498	S01-01-02-11

MATERIAL SCHEDULE

- 3 INCLUDE MATERIAL LIST
- 2 TITLEBLOCK & DRAWING NUMBERS FORMATTED
- 1 CROSSARM BRACES ADDED
- 0 ISSUED FOR CONSTRUCTION

NO	DESCRIPTION	DRN	DATE	CKD	APPD
	AMENDMENTS				

C.C.	DEC'20	B.C.	B.V.
K.T.	JAN'19	C.C.	C.C.
A.T.	APR'13	B.C.	B.C.
C.C.	DEC'11	A.T.	S.C.



DES		POWER STANDARD DRAWING	
DES	A. TAYLOR	ASSEMBLIES INSULATORS ON LV 'd' TOP FOR UNIVERSAL POLE CONSTRUCTION	
DRN	C. COPPINS	A3	DRAWING NUMBER S01-02-01-28
CKD	A. TAYLOR		
APPD	S.C.	SCALE AS SHOWN	
ISSUED JULY '11		DRAWING NUMBER S01-02-01-28	
ALL DIM. IN mm		CAD PRODUCT - DO NOT AMEND MANUALLY	
DRAFTING STANDARD TO A.S.1100		AMDT	