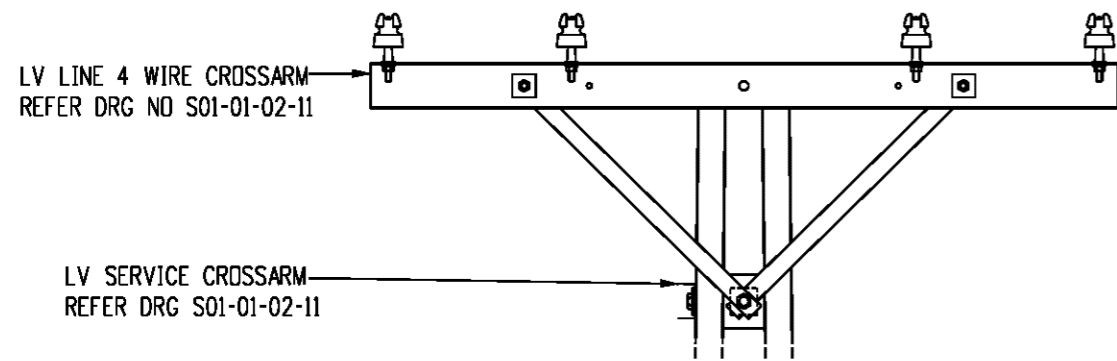
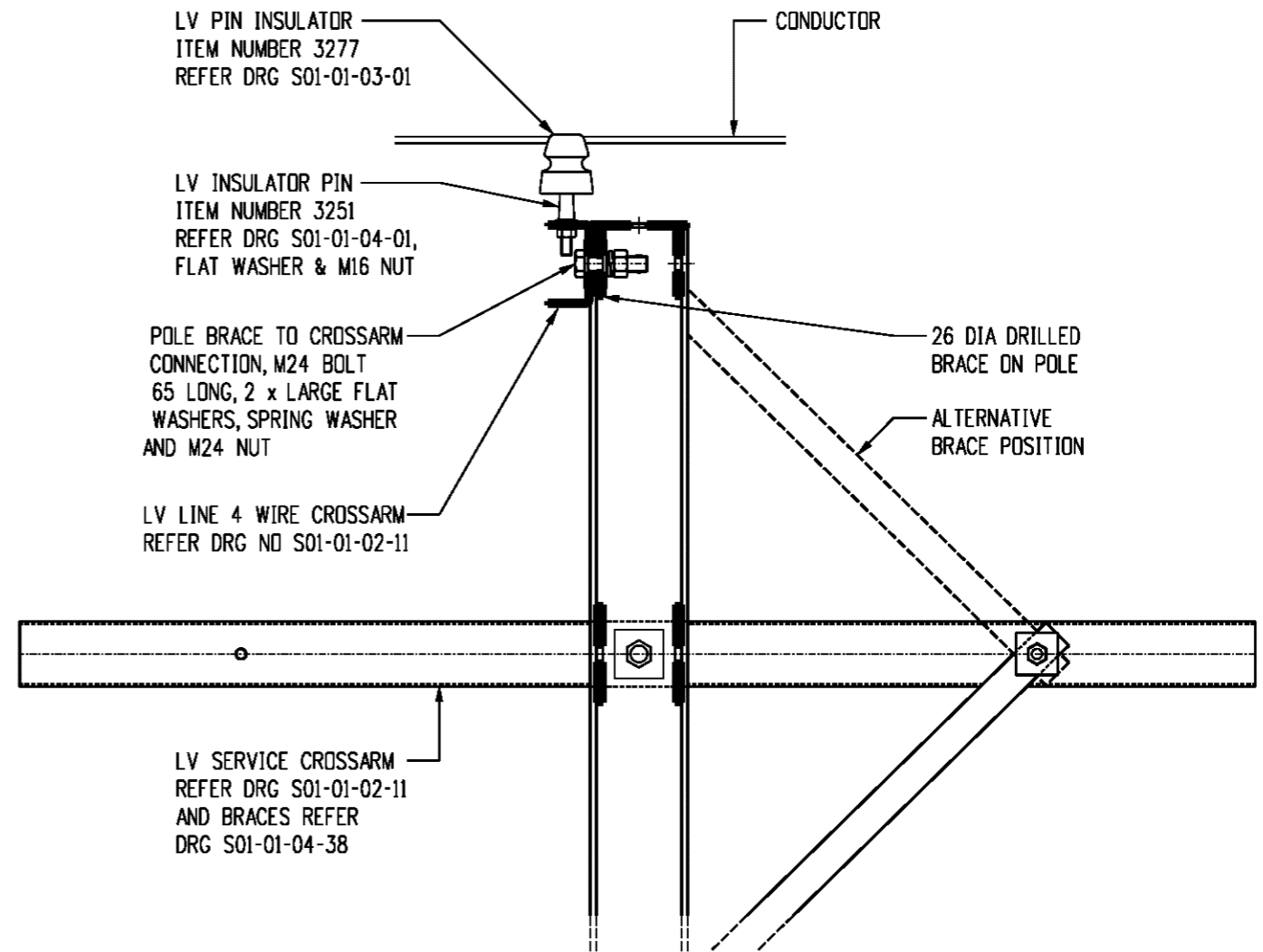


PLAN
SCALE 1:20



ELEVATION
SCALE 1:20



END ELEVATION / SECTION
SCALE 1:10

1	TITLEBLOCK & DRAWING NUMBERS FORMATTED	K.T.	DEC'18	C.C.	C.C.
0	ISSUED FOR CONSTRUCTION	A.S.	7.3.01	M.B.	F.R.R.
NO	DESCRIPTION	DRN	DATE	CKD	APPD
AMENDMENTS					

PowerWater
NORTHERN TERRITORY

DES	M. BOCK	POWER STANDARD DRAWING			
DRN	R. INNES	ASSEMBLIES INSULATORS ON LV 'a TOP' FOR UNIVERSAL POLE CONSTRUCTION			
CKD	M. BOCK				
APPD	F. ROBSON	A3	DRAWING NUMBER	S01-02-01-19	1 AMDT
SCALE	1:10				
ISSUED	DEC'00	DRAFTING STANDARD TO A.S.1100			
ALL DIM.	IN mm	CAD PRODUCT - DO NOT AMEND MANUALLY			