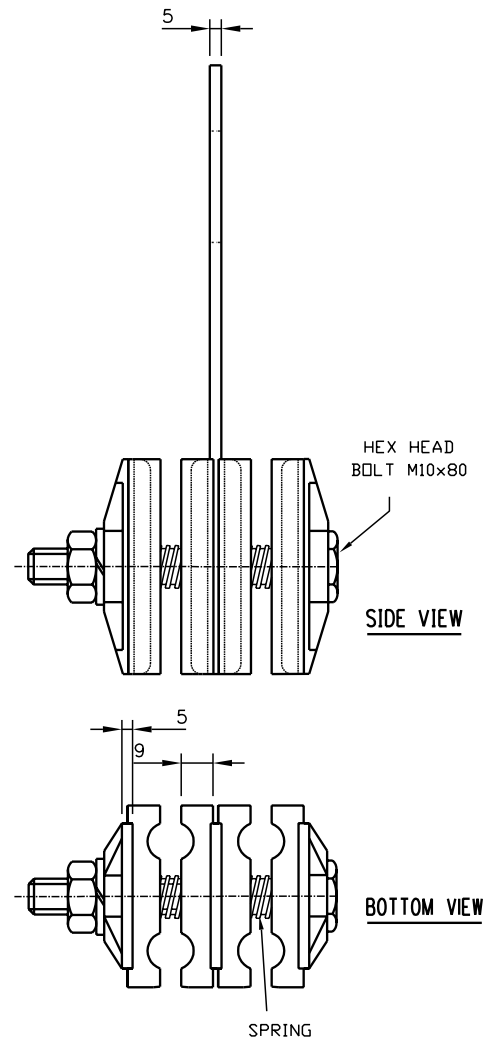
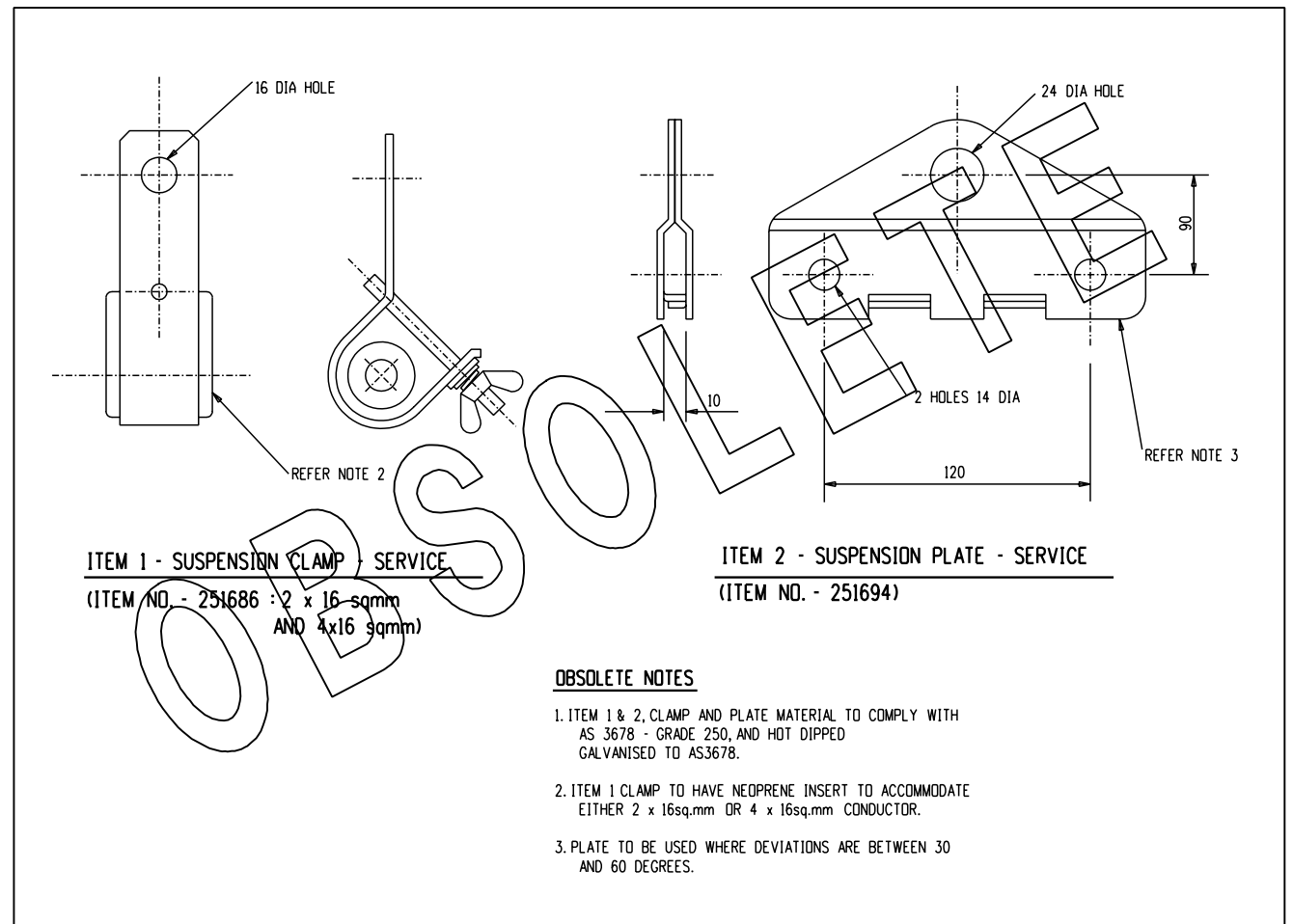


ITEM 3 - SUSPENSION CLAMP - SERVICE
 ITEM NO. - 251686
 CABLE SIZE RANGE : 2/4 CORE 10-35sqmm



NOTES

- ITEM 1 & 2 ARE OBSOLETE. USE ITEM 3 FOR SERVICE CONDUCTOR INTERMEDIATE SUSPENSION.
- MATERIAL TO COMPLY WITH ASI154. HOT DIP GALVANIZING TO AS/NZS 4680.
- MAX TIGHTENING TORQUE OF NUT IS 20Nm.
- 2 x STRAIN CLAMP SHALL BE INSTALLED IF CONDUCTOR DEVIATION EXCEED 5° ON ANY ONE SIDE OR RESULTANT TENSION OF CLAMP EXCEED 1KN.

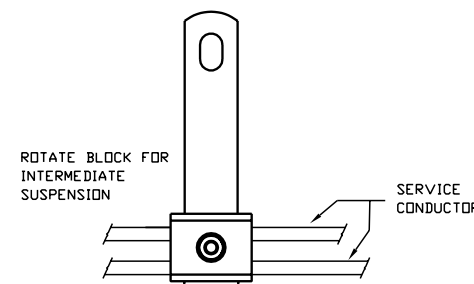


ITEM 1 - SUSPENSION CLAMP - SERVICE
 (ITEM NO. - 251686 : 2 x 16 sqmm AND 4x16 sqmm)

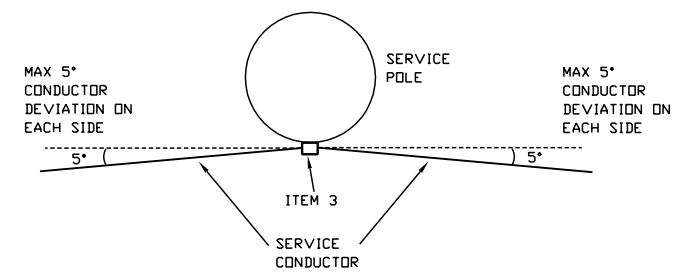
ITEM 2 - SUSPENSION PLATE - SERVICE
 (ITEM NO. - 251694)

OBSOLETE NOTES

- ITEM 1 & 2, CLAMP AND PLATE MATERIAL TO COMPLY WITH AS 3678 - GRADE 250, AND HOT DIPPED GALVANISED TO AS3678.
- ITEM 1 CLAMP TO HAVE NEOPRENE INSERT TO ACCOMMODATE EITHER 2 x 16sq.mm OR 4 x 16sq.mm CONDUCTOR.
- PLATE TO BE USED WHERE DEVIATIONS ARE BETWEEN 30 AND 60 DEGREES.



ITEM 3 APPLICATION FOR INTERMEDIATE SUSPENSION (FRONT VIEW)



ITEM 3 APPLICATION FOR INTERMEDIATE SUSPENSION (TOP VIEW)

NO	DESCRIPTION	DRN	DATE	CKD	APPD
6	TITLEBLOCK & DRAWING NUMBER FORMATTED	K.T.	MAR'19	C.C.	C.C.
5	ITEM 1 & 2 MARKED OBSOLETE, ITEM 3 ADDED, NEW NOTES ADDED, TITLE AMENDED	I.B.	APR'17	B.V.	B.C.
4	LOGO CHANGED	C.C.	JAN'11	A.T.	S.C.
3	ITEM 3 REMOVED.	RG1	NOV'99	F.R.R.	G.H.
2	AUSTRALIAN STANDARD IN NOTE 1 SUPERSEDED.	RG1	JUN'98	F.R.R.	-
1	ITEM 3 DESCRIPTION AND STOCK CODE ADDED	PMC	FEB'93	C.H.Y.	A.B.
AMENDMENTS					



DES	A. Butler	POWER STANDARD DRAWING		
DRN	GMCK	LINE HARDWARE LV - SERVICE SUSPENSION CLAMP		
CKD	N. Stubbs			
APPD	B.T. Kent			
SCALE	N.T.S			
ISSUED	DEC'92	A3	DRAWING NUMBER	S01-01-04-29
ALL DIM.	IN mm			
DRAFTING STANDARD TO A.S.1100		CAD PRODUCT - DO NOT AMEND MANUALLY		6 AMDT